

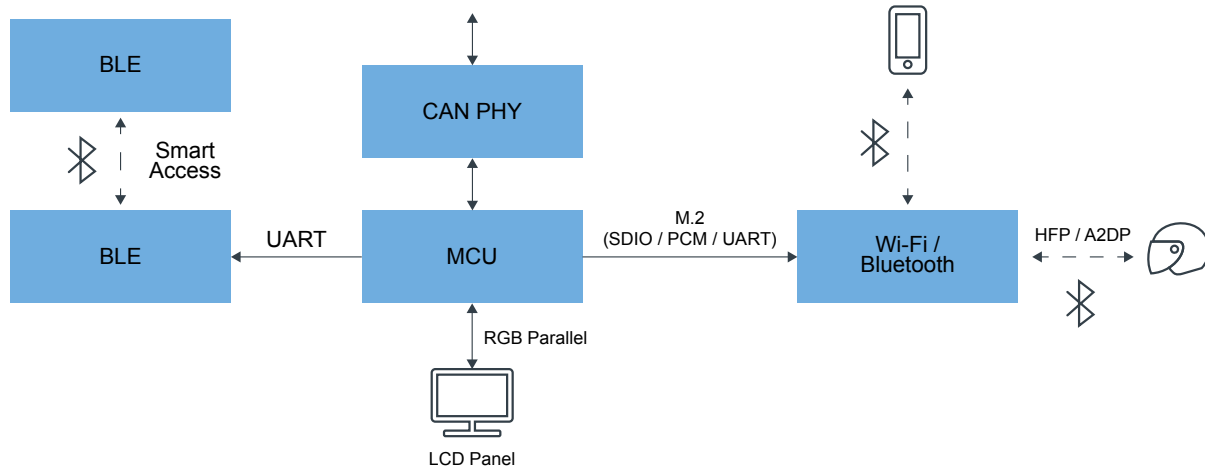


Two-Wheeler Connected Digital Cluster

Last Updated: Jan 24, 2024

The two-wheeler connected digital cluster reference platform delivers high-performance graphics and a rich connectivity experience for an advanced two-wheeler driving experience. It enables three-way Bluetooth pairing between the phone, the two-wheeler's digital cluster and the rider's headphones for advanced connectivity, safety and personalized services. Other features include OpenVG vector graphics and a rich multimedia experience with secure vehicle access and vehicle location. By pairing NXP's high performance [i.MX RT1170 crossover MCU](#) with the highly integrated [AW611](#) single-chip Wi-Fi® 6 and Bluetooth®/Bluetooth Low Energy Audio connectivity solution together with the [KW45 secure wireless access MCU](#), our better together reference platform delivers a highly cost-effective system. This platform extends connected and intelligent digital experiences beyond vehicles — delivering the future of two-wheel mobility.

Two-Wheeler Dashboard with RT1170 MCU Block Diagram



■ NXP Technology
 ■ Non NXP Technology
 Optional Technology

Recommended Products for Two-Wheeler Dashboard with RT1170 MCU

BLE	<ul style="list-style-type: none"> • KW45: KW45: 32-Bit Bluetooth® 5.3 Long-Range MCUs with CAN FD and LIN Bus Options, Arm® Cortex®-M33 Core
MCU	<ul style="list-style-type: none"> • i.MX-RT1170: i.MX RT1170: 1 GHz Crossover MCU with Arm® Cortex® Cores
Wi-Fi / Bluetooth	<ul style="list-style-type: none"> • AW611: 2.4/5 GHz Dual-Band 1x1 Wi-Fi® 6 (802.11ax) + Bluetooth® 5.4 Automotive Solution
CAN PHY	<ul style="list-style-type: none"> • TJA1044: High-Speed CAN Transceiver with Standby Mode - Mantis Family

View our complete solution for [Two-Wheeler Connected Digital Cluster](#).

Note: The information on this document is subject to change without notice.

www.nxp.com

NXP and the NXP logo are trademarks of NXP B.V. All other product or service names are the property of their respective owners. The related technology may be protected by any or all of patents, copyrights, designs and trade secrets. All rights reserved. © 2024 NXP B.V.