



Radar Application Development Board

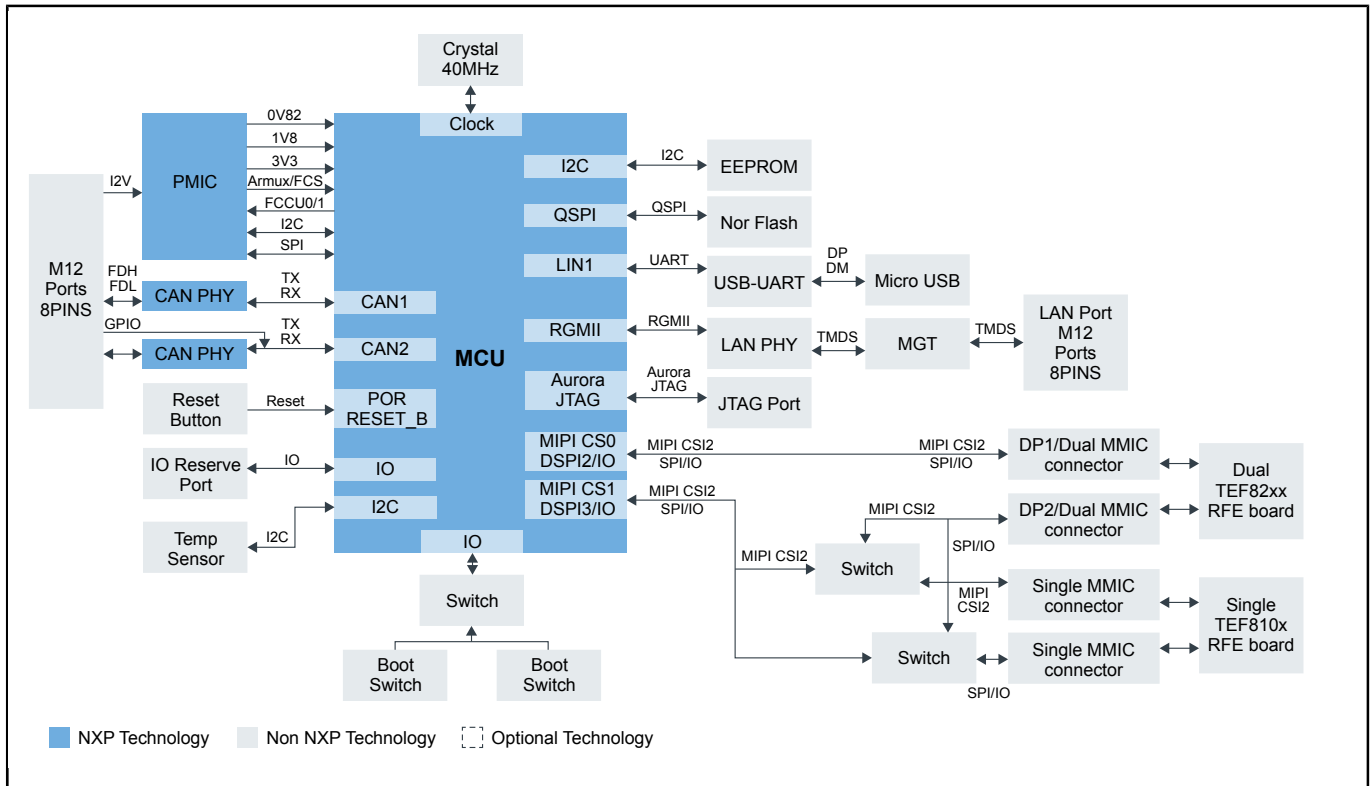
S32R294-RADB

Last Updated: May 2, 2024

The S32R29 radar application development board (RADB) is intended to provide a flexible development platform for the automotive radar product based on NXP radar microprocessor S32R29. The S32R29 RADB unit kit can be easily used to evaluate and develop radar application software and processing algorithms.

For this radar application development board, a radar transceiver front-end board with 2x TEF82xx RF transceivers is available. The two boards feature combined power and high-speed signal connectors to provide direct connection of the MIPI-CSI2 and SPI interfaces, allowing high-speed data transfer to the MCU, along with SPI control signals and power domains to the RF transceiver. For more information on the TEF82xx front-end board, please check out [TEF82-R294-KIT](#) page.

S32R294-RADB Block Diagram Block Diagram



View additional information for [Radar Application Development Board](#).

Note: The information on this document is subject to change without notice.

www.nxp.com

NXP and the NXP logo are trademarks of NXP B.V. All other product or service names are the property of their respective owners. The related technology may be protected by any or all of patents, copyrights, designs and trade secrets. All rights reserved. © 2024 NXP B.V.