



# 15 W LDO Wireless Charging Receiver Reference Design

## RDWPR1500-LDO

### Not Recommended for New Designs

This page contains information on a product that is not recommended for new designs.

Last Updated: Nov 16, 2023

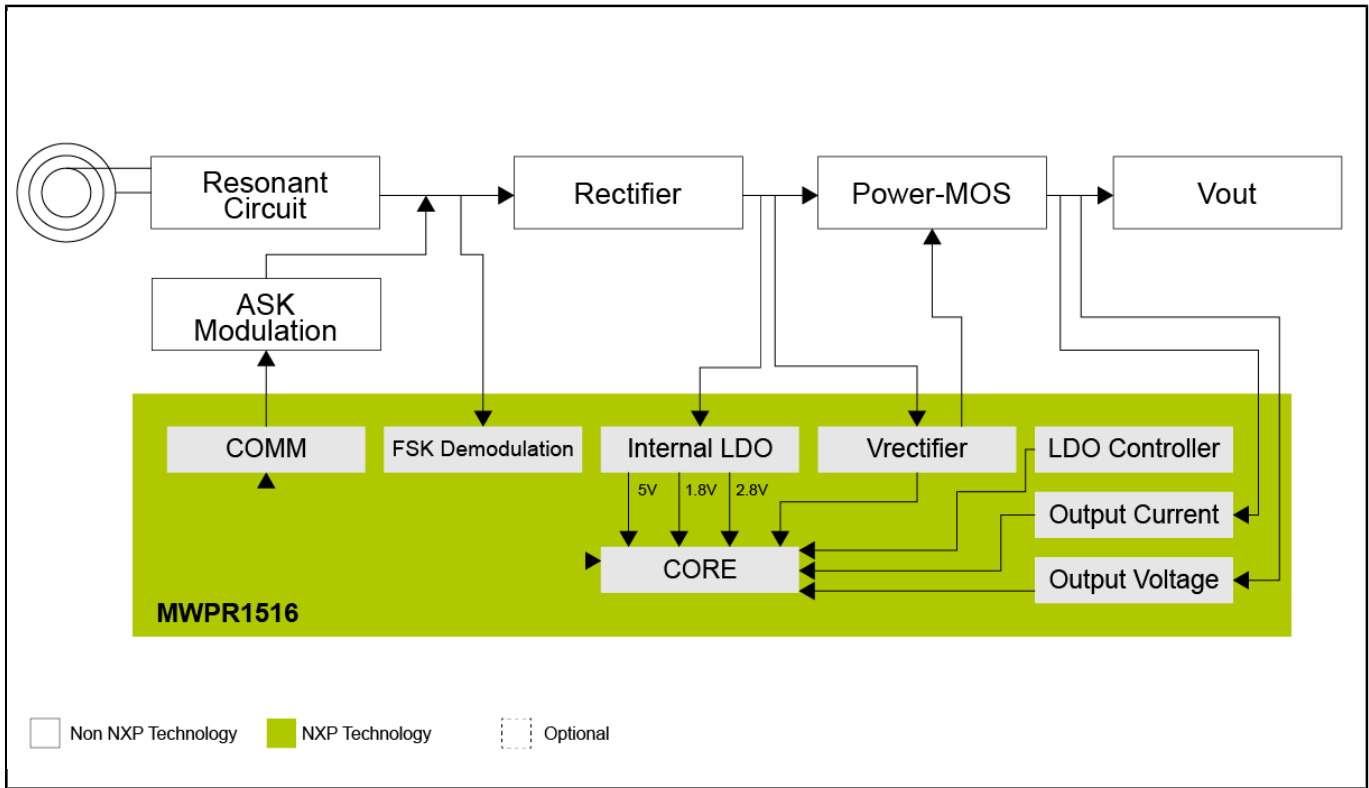
This product is not recommended for new designs, it has been replaced by [WPR1500-HV](#).

The 15-watt wireless charging receiver reference platform with LDO architecture uses our MWPR1516 receiver controller IC to manage and perform all control functions necessary to implement a wireless charging receiver solution.

The reference platform complies with the Wireless Power Consortium's (WPC) Medium Power Working Group (MPWG) specification and can be charged by any Qi®-certified transmitter devices.

[Medium Power Wireless Charger Receiver 15 W WPC Compliant Solution - Fact Sheet](#)

## Wireless Charging Receiver Block Diagram



View additional information for [15 W LDO Wireless Charging Receiver Reference Design](#).

**Note:** The information on this document is subject to change without notice.

**www.nxp.com**

NXP and the NXP logo are trademarks of NXP B.V. All other product or service names are the property of their respective owners. The related technology may be protected by any or all of patents, copyrights, designs and trade secrets. All rights reserved. © 2024 NXP B.V.