



# 16-Bit Microcontroller

## 68HC812A4

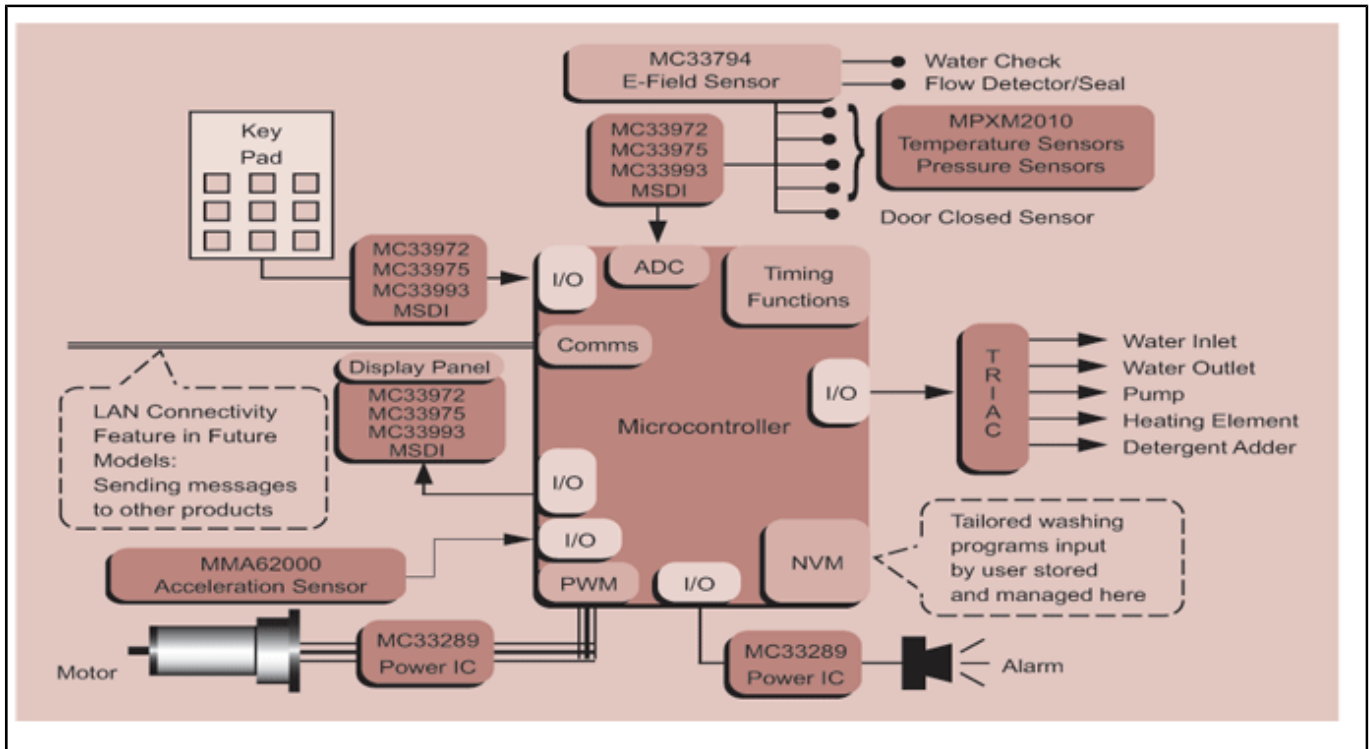
### **Not Recommended for New Designs**

This page contains information on a product that is not recommended for new designs.

Last Updated: Apr 9, 2022

The MC68HC812A4 microcontroller unit (MCU) is a 16-bit device composed of standard on-chip peripheral modules connected by an intermodule bus. Modules include a 16-bit central processing unit (CPU12), a Lite integration module (LIM), two asynchronous serial communications interfaces (SCI0 and SCI1), a serial peripheral interface (SPI), a timer and pulse accumulation module, an 8-bit analog-to-digital converter (ATD), 1-Kbyte RAM, and memory expansion logic with chip selects, key wakeup ports, and a phase-locked loop (PLL).

## Washer Machines Microcontrollers for M68HC05 Family Block Diagram Block Diagram



View additional information for [16-Bit Microcontroller](#).

Note: The information on this document is subject to change without notice.

[www.nxp.com](http://www.nxp.com)

NXP and the NXP logo are trademarks of NXP B.V. All other product or service names are the property of their respective owners. The related technology may be protected by any or all of patents, copyrights, designs and trade secrets. All rights reserved. © 2024 NXP B.V.