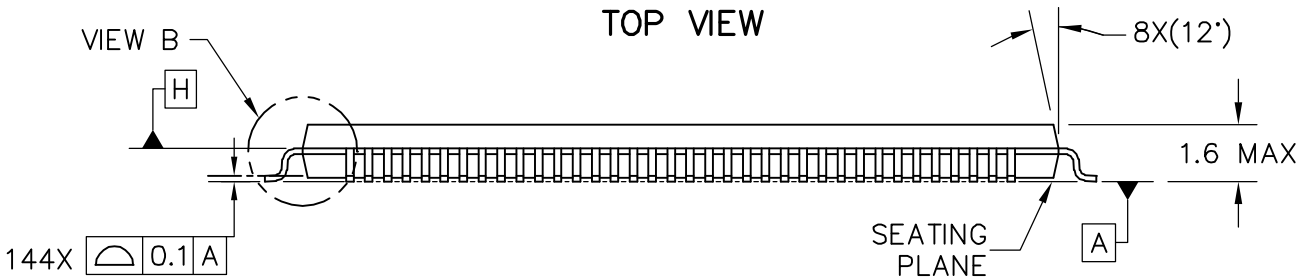
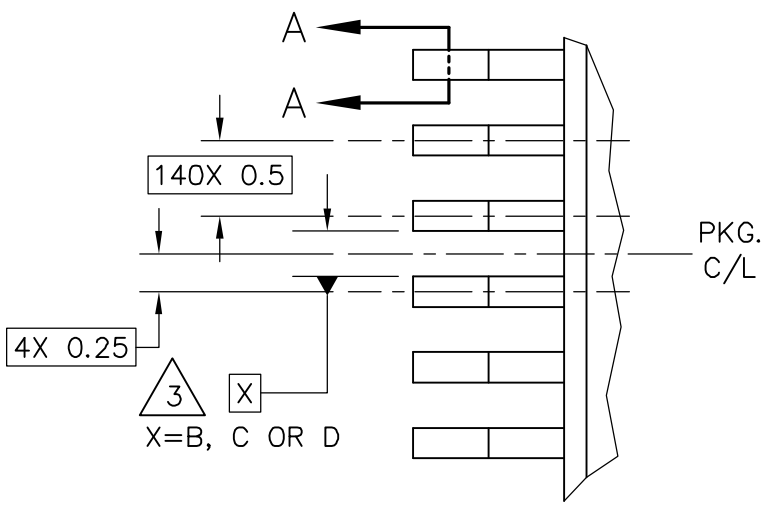


TOP VIEW

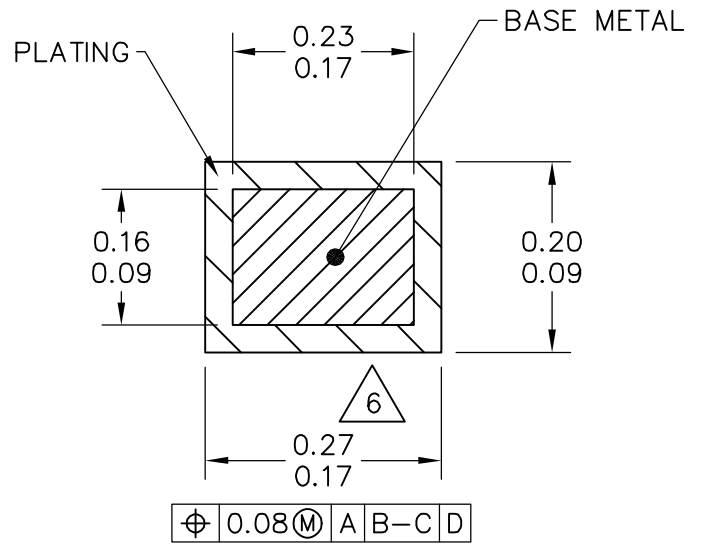


SIDE VIEW

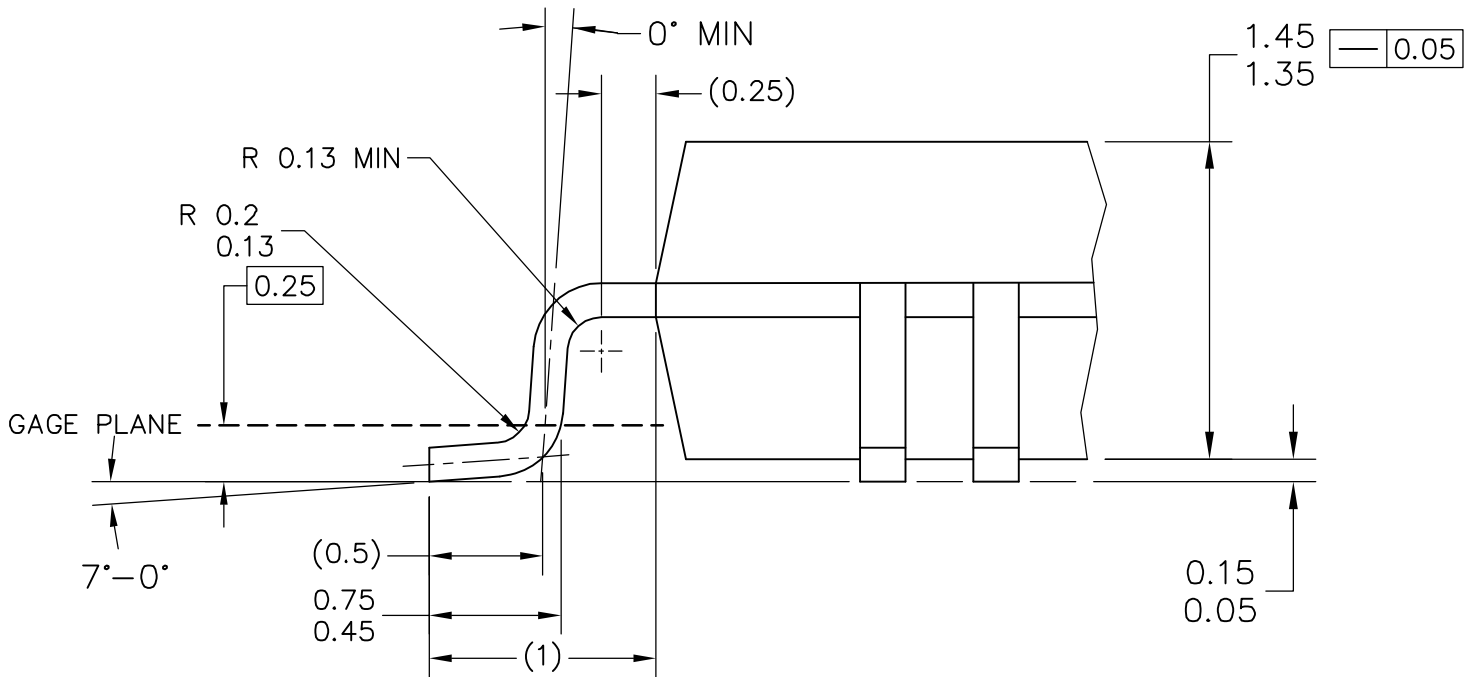
| | | | |
|--|---------------------------|----------------------------|--|
| © FREESCALE SEMICONDUCTOR, INC. ALL RIGHTS RESERVED. | MECHANICAL OUTLINE | PRINT VERSION NOT TO SCALE | |
| TITLE: 144 LEAD LQFP 20 X 20, 0.5 PITCH, 1.4 THICK | DOCUMENT NO: 98ASS23177W | REV: G | |
| | CASE NUMBER: 918-03 | 12 NOV 2009 | |
| | STANDARD: NON-JEDEC | | |



VIEW A



SECTION A-A
ROTATED 90° CW
144 PLACES



VIEW B

| | | | |
|--|---------------------------|----------------------------|--|
| © FREESCALE SEMICONDUCTOR, INC. ALL RIGHTS RESERVED. | MECHANICAL OUTLINE | PRINT VERSION NOT TO SCALE | |
| TITLE: 144 LEAD LQFP 20 X 20, 0.5 PITCH, 1.4 THICK | DOCUMENT NO: 98ASS23177W | REV: G | |
| | CASE NUMBER: 918-03 | 12 NOV 2009 | |
| | STANDARD: NON-JEDEC | | |

NOTES:

1. ALL DIMENSIONS ARE IN MILLIMETERS.

2. INTERPRET DIMENSIONS AND TOLERANCES PER ASME Y14.5M-1994.

3. DATUMS B, C AND D TO BE DETERMINED AT DATUM PLANE H.

4. THE TOP PACKAGE BODY SIZE MAY BE SMALLER THAN THE BOTTOM PACKAGE SIZE BY A MAXIMUM OF 0.1 mm.

5. THIS DIMENSIONS DO NOT INCLUDE MOLD PROTRUSIONS. THE MAXIMUM ALLOWABLE PROTRUSION IS 0.25 mm PER SIDE. THIS DIMENSIONS ARE MAXIMUM BODY SIZE DIMENSIONS INCLUDING MOLD MISMATCH.

6. THIS DIMENSION DOES NOT INCLUDE DAM BAR PROTRUSION. PROTRUSIONS SHALL NOT CAUSE THE LEAD WIDTH TO EXCEED 0.35. MINIMUM SPACE BETWEEN PROTRUSION AND AN ADJACENT LEAD SHALL BE 0.07 MM.

7. THIS DIMENSIONS ARE DETERMINED AT THE SEATING PLANE, DATUM A.

| | | | |
|--|---------------------------|----------------------------|--|
| © FREESCALE SEMICONDUCTOR, INC. ALL RIGHTS RESERVED. | MECHANICAL OUTLINE | PRINT VERSION NOT TO SCALE | |
| TITLE: 144 LEAD LQFP 20 X 20, 0.5 PITCH, 1.4 THICK | DOCUMENT NO: 98ASS23177W | REV: G | |
| | CASE NUMBER: 918-03 | 12 NOV 2009 | |
| | STANDARD: NON-JEDEC | | |