

# The USB Data Logger Based on the MC9S08JM60

by: Derek Liu, Daniel Uribe  
Systems and Applications Engineering

## 1 Introduction

A data logger is an attractive alternative to a recorder or data acquisition system in many applications. Data loggers have the ability to accept a greater number of input channels with better accurate resolution, and record large amounts of data. The data logger also has intelligence that provides the user with diverse capabilities. For example, raw data can be analyzed to give voltage, differential temperatures, and an alarm if the analysis result is beyond the normal range.

USB has been used in many applications. It is not limited to the field of consumer electronics. It is widely used in industrial control, test and measurement, and embedded systems. The MC9S08JM60 is an 8-bit MCU with a USB interface. It has many peripherals, such as ADC, SPI, SCI, IIC, ACMP, TPM that make it easy to be integrated into different applications.

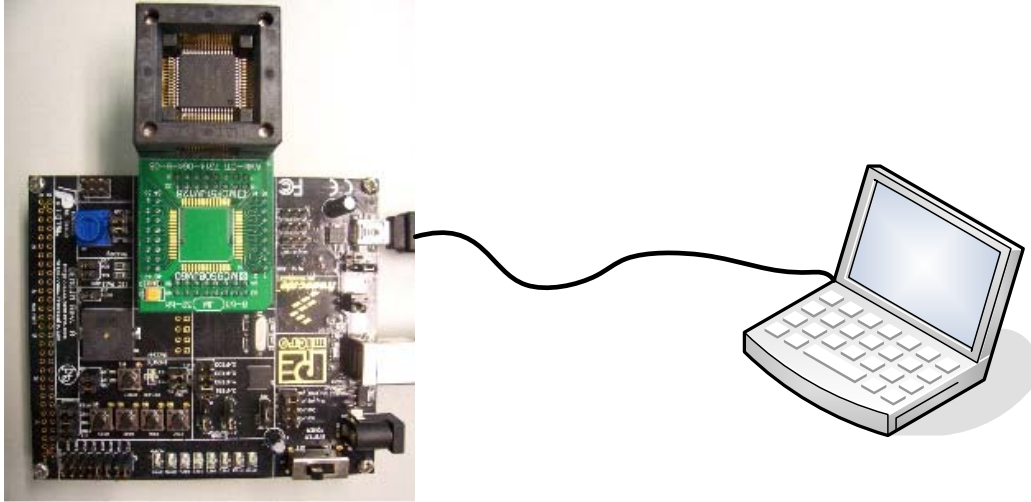
This document demonstrates the development of a USB data logger with an MC9S08JM60. This data logger makes use of peripherals from the MC9S08JM60 that are

## Contents

1	Introduction	1
2	Data Logger Main Features	2
3	Work Scheme of the USB Data Logger	4
3.1	Data Transfer between Host and Device	4
3.2	Customized Protocol	5
3.3	USB Data Logger Communication Pipes	6
4	Hardware of the USB Data Logger	6
5	Firmware Design	7
5.1	System Framework	7
5.2	Porting of the USB Stack	10
5.3	Firmware for Different Functional Modules	13
6	PC Software of the Data Logger	15
7	Summary	16
8	Acronyms	16
	Appendix A Application Protocol of the Data Logger	17
A.1	ADC (Peripheral 0x02)	17
A.2	General Use IO (Peripheral 0x06)	20
A.3	TPM (Peripheral 0x07)	21
	Appendix B the USB Data Logger Software	22

easy to implement without more external components. Based on the Freescale USB stack the hardware and firmware are also easy to design. This data logger is simple, economic, and useful.

## 2 Data Logger Main Features



**Figure 1. Data Logger System**

**Figure 1** is the USB data logger system based on the MC9S08JM60 demonstration board. The data logger is composed of a PC and a demonstration board. It consists of three parts from the software point of view:

- PC GUI
- PC driver
- Firmware

The data logger is designed to support the following features based on the demo board resource:

- Data acquisition (14 channels)

The MC9S08JM60 provides 12 external ADC channels. ADPC0, ADPC1, ADPC2... ADPC10, and ADPC11 are all in the data logger. It also provides an on-chip temperature sensor and reference voltage band gap. The ADC channels are:

- ADPC0–11
- Temperature
- Bandgap

All ADC channels can be enabled or disabled. Any of them can be used.

The data logger supports 3 resolutions:

- 8-bit,
- 10-bit
- 12-bit (MC9S08JM60 feature)

The data logger is designed to support three kinds of trigger modes:

- Software (SW) trigger mode: The ADC can be started by command from the USB host.
- Delay trigger mode: The ADC can be triggered after a time delay of 0–256 seconds. The host sends the start command to a device with a time delay parameter and the ADC starts to work after the delay time has elapsed.
- Voltage level trigger mode: The voltage level and trigger logic can be set. The ADC is triggered if the voltage of a channel is greater or less than the set voltage. The command has four parameters: trigger channel, voltage level, and trigger logic.

In this application the channels ADPC0, ADPC1, and ADPC3 are connected to the X, Y, and Z output of the 3-axis accelerometer sensor on the demonstration board. The ADPC2 is connected to the output of the potentiometer. The other channels can be connected to the external analog input signal.

- GPIO status control and reading

The data logger can control seven LEDs on demonstration boards and read the status of four buttons.

- Pulse width modulation (PWM) signal output

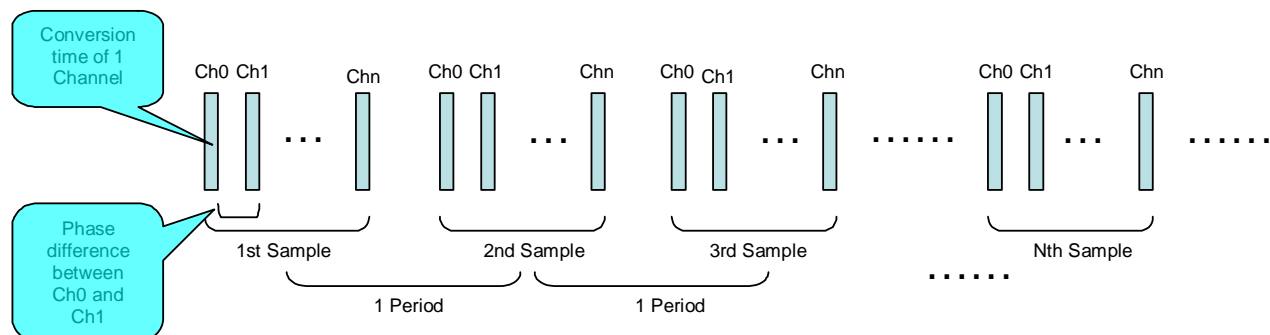
The data logger controls the TPM and generates the PWM signal that drives the buzzer on the demonstration board. The buzzer can be used to show when the status or data exceeds its normal range in the data logger system.

- Data recording

The software running on the PC can read the data and status from the device, display them on the GUI, and record them into a data file. With this method the data can be visualized in real time. The USB data logger uses the data storage space of the computer system and achieves mass data recording.

### NOTE

The data logger in this application has up to 14 ADC channels input. For a phase difference between two different channels. All ADC inputs must be converted one by one, not in parallel. The phase difference between channel 0 and channel 1 is illustrated in [Figure 2](#).

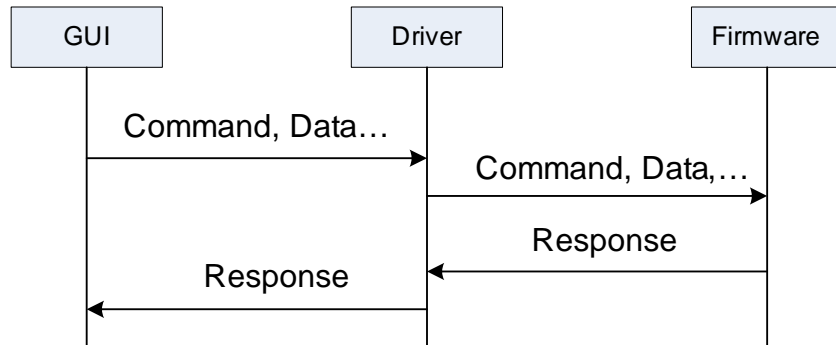


**Figure 2. ADC Work Scheme**

## 3 Work Scheme of the USB Data Logger

### 3.1 Data Transfer between Host and Device

All communication starts from the USB host because the data logger is based on the USB system. The host sends the command and request to the device. The USB device then executes the command, responds to the request, and feeds back the necessary data to the host. [Figure 3](#) illustrates the communication scheme of a typical USB system and adopted in the data logger system.



**Figure 3. USB Communication Scheme**

As shown in [Figure 3](#), the host sends the command and data to the device through the USB driver. The device then executes the command, saves the data, and replies to the host with status or data. The USB driver is transparent between the GUI software and the firmware of the device.

After the USB is enumerated and configured successfully, a communication pipe is created between the USB host and the device. All commands and data are transferred into the pipes. According to the USB features of the MC9S08JM60 five pipes are built in the data logger system.

- Default pipe (control pipe):  
The default pipe is used to enumerate and configure the USB device and is essential for all USB devices. The default pipe is built on endpoint 0.
- Command pipe  
The command pipe is used by the host to send the commands to USB device. It is built on endpoint 1 of the USB device.
- Status pipe  
The USB device sends the response to the host via the status pipe after it receives and executes the command.
- Data out pipe  
This pipe is used by the host to transfer data to the device.
- Data in pipe  
The device sends the data to the host via the data in pipe.

## 3.2 Customized Protocol

The control pipe and status pipe are designed to transfer a packet of up to 16 bytes.

The data out and data in pipe can accommodate 32 bytes in one packet. They are designed to transfer mass data because the sessions for control and status information are not too much. They are designed to use smaller packet sizes.

The commands, data, and response in [Figure 3](#) are transferred in the application layer of the USB system and located above the USB standard protocol. Refer to *AN3560-- The USB Device Development with the MC9S08JM60* for the description of the USB protocol layer. They are defined in a customized protocol according to different applications. The data logger applies a simple protocol made by the developer.

**Table 1. Command Format from Host**

Byte	1	2	3	4	.....
Description	Module	Command	Para1	Para2	Para.....

**Table 2. Response from Device**

Byte	1	2	3	.....
Description	Module	Command	Para1	Para.....

[Table 1](#) and [Table 2](#) are the command format and response format transferred between the USB host and the device adopted by the data logger. The first byte indicates the module that accepts the command. For example, the 0x02 means the command belongs to the ADC module. The second byte is the command for the module specified in the first byte. For example, for the ADC module 0x01 is a configuration command and 0x02 is the command for reading the configuration. The following bytes are parameters for the command. The parameter is flexible and optional. It can be neglected for some commands. For example:

The start ADC conversion command is:

0x02      0x03

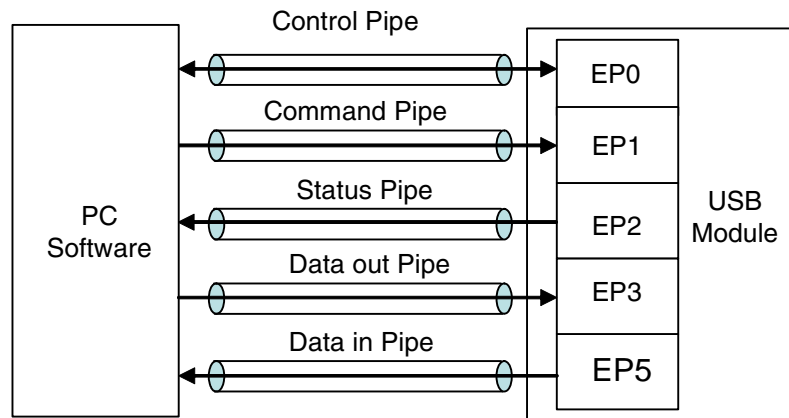
The response for starting the ADC conversion from the device is:

0x02      0x03      0xFF

Parameter 0xFF means that the ADC conversion has started successfully. If the ADC fails to start it reads 0x00.

The detailed protocol is attached in [Appendix A, “Application Protocol of the Data Logger”](#).

### 3.3 USB Data Logger Communication Pipes



**Figure 4. Communication Pipes for USB Data Logger**

Figure 4 is the connection between host and device. The pipes are built after the device is enumerated and configured successfully. The data transfer direction is illustrated in Figure 4. The bulk transfer type is applied to the command pipe, status pipe, and data out pipe. To make sure the application can get the guaranteed bandwidth the interrupt transfer type is adopted for the data in pipe. The data sample results are transferred in this pipe and helps to get a stable sample rate.

The customized protocol before mentioned is applied to the data transferred in these pipes.

## 4 Hardware of the USB Data Logger

The USB data logger is based on the MC9S08JM60 demonstration board. A different power supply is built on the 3-axis accelerometer, potentiometer, buzzer, LEDs, buttons, and P&E multi-link circuit.

The outputs of the accelerometer and potentiometer are attached to the ADC input channels. The buzzer can be connected to the output of the TPM2 module. The LEDs and buttons are connected to the input and output module of the MCU. The on-board P&E multi-link can be used to download and debug the firmware. The power supply circuit enables the system in several different power modes:

- Bus powered
- Self-powered
- Powered by multi-link
- External power supply
- External 5 V power

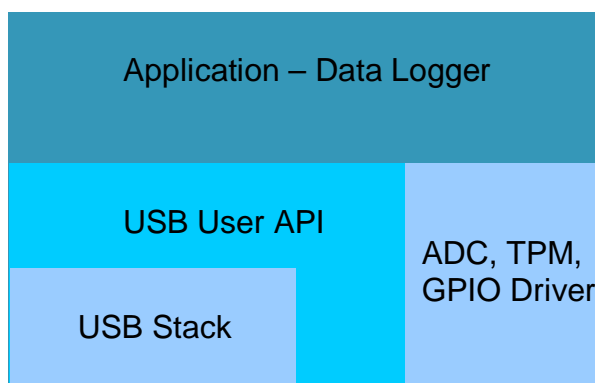
The data logger can be debugged and works only with the demo board and CodeWarrior installed on a computer.

The detailed schematic of the demonstration board is not discussed here. For details go to [www.freescale.com](http://www.freescale.com).

## 5 Firmware Design

### 5.1 System Framework

#### 5.1.1 Firmware Architecture



**Figure 5. USB Data Logger Firmware Architecture**

Figure 5 illustrates the USB data logger firmware architecture.

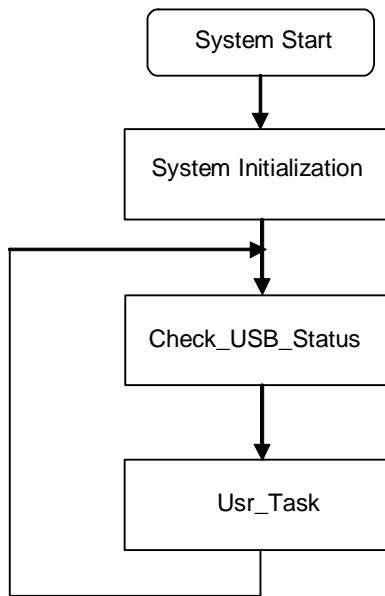
The USB stack is used for the USB device enumeration and configuration. While the USB device is attached to the host it starts the enumeration process. The enumeration process is done on endpoint 0. It is the same for all USB devices. The USB device is configured in the enumeration process. During this process the address of the USB device is assigned and all USB device descriptors are transferred to the host.

In the USB data logger application one USB stack designed for JM60 MCU is ported. It is easy and flexible. For detailed information refer to *AN3560 — The USB Device Development with the MC9S08JM60*, and *AN3564 — Customize the USB Application Using the MC9S08JM*.

The API is the interface for the application to access the USB port. It is based on the USB stack and provides the communication functions for endpoint 1–6 of the USB module. The high layer application calls the API function to send or receive data.

The driver for other peripherals provide the API functions to access the ADC, TPM, and GPIO modules. The application in high layer calls these API functions to implement for certain purposes.

## 5.1.2 Main Function



**Figure 6. Flow Chart of the Main Function**

The main function flow chart is illustrated in [Figure 6](#). At first the firmware initializes the system. The MCG, ADC, TPM, GPIO, and other modules are set to system default. The USB is enabled in this process. Then the main function enters into an infinite loop. The `Check_USB_Status` function controls the transfer of the USB states between attached and suspend. The `Usr_Task` is called in the main loop after the device succeeds to enumerate.

The enumeration process is not expressed in the main function because it is based on the USB interrupt. For more details on enumeration, please refer to *AN3560—The USB Device Development with the MC9S08JM60*.

### 5.1.3 User Task

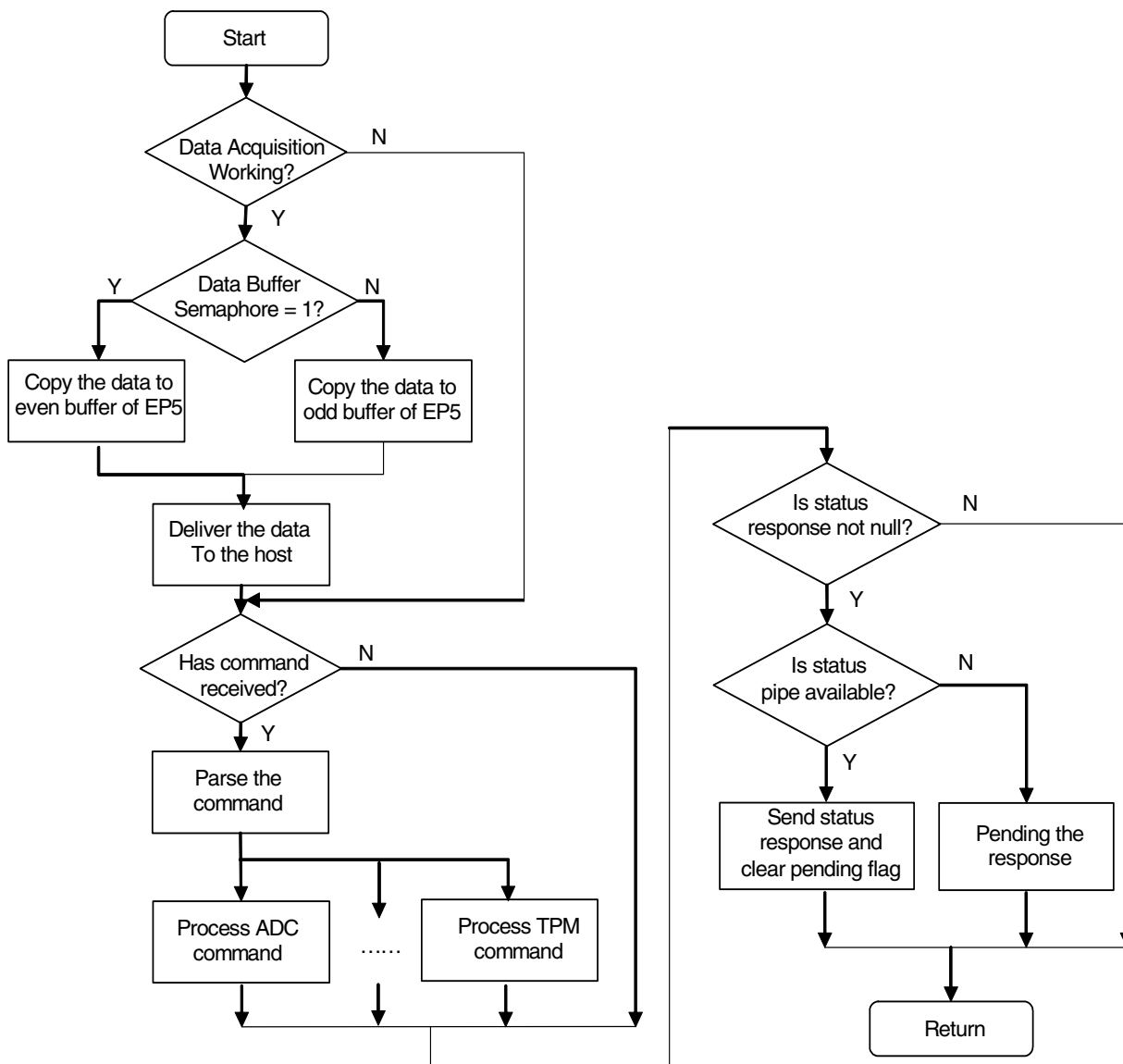


Figure 7. Usr\_Task Flow Chart

Figure 7 is the Usr\_Task function flow chart.

At first, the Usr\_Task checks whether the data acquisition has started. While the data acquisition is working according to the status of the ADC conversion it copies the data to the endpoint buffer of endpoint 5. If the data acquisition is not started or the data has been filled into the buffer of endpoint 5, the program checks whether there is a command received from the host via endpoint 2. The program analyzes the command and processes them according to the protocol mentioned in the above section. Afterwards the program begins to check whether there is response data needed that needs to be transferred to the host via

status pipe. If there is a response data it is delivered. If there is no response the program suspends and then exits from the function.

The following section discusses the firmware of the USB data logger in detail.

## 5.2 Porting of the USB Stack

Freescall provides the optimized USB stack with good performance, small code size and RAM usage. The following steps are the porting process.

1. The clock generation

The USB module of the MC9S08JM60 needs a 24 MHz bus clock. The MCG initialization function needs to be modified in terms of the external clock source. The USB data logger application uses a 12 MHz external crystal clock source.

2. Power mode

The USB device has bus-powered and self-powered modes. The USB data logger adopts the bus-powered mode. The MCU is in attached mode after the MCU begins to work. The MCU needs to detect the status of the USB connection if the self-powered mode is selected and one GPIO port can be used to sense the connection. The function of `Check_USBBus_Status()` in `Usb_drv.c` file can be modified to match the detection requirement.

3. USB configuration

The regulator pullup resistor of the USB module must be configured according to the application. The result in the USB initialization needs to be adjusted.

4. USB descriptors modification

All descriptors must be modified according to the application that includes the device descriptor, configuration descriptor, interface descriptor, and string descriptor.

The related file is `Usb_descriptor.c` and `Usb_descriptor.h`

5. USB standard class support

The process for a class standard request can be placed in the call-back function if the device matches the USB standard class. Place the entrance of this call-back function into the `Class_Req_Handler` array in the `Usb_Descriptor.c`.

The USB data logger is not a standard class device. No call-back function is needed for the array of `Class_Req_Handler`.

6. Support for suspend mode

The firmware has a different configuration between self-powered and a bus-powered USB device. For more details refer to *AN3560 -- USB Device Development with MC9S08JM60*.

The device supports remote wakeup from suspend mode. This feature is declared in the USB configuration descriptor. The interrupt source for wake up must be set correctly. The un-expected interrupt can be disabled in the `Clear_Int()` function before entering suspend mode, and recovered in `Recover_Int()` function after wakeup.

## 7. Other modifications

The transaction for stall interrupt can be processed in the USB\_Stall\_Handler function (Usb\_Drv.c) if the stall is used for endpoint 1-6.

### 5.2.1 USB Resource Assignment

The USB data logger uses four endpoints besides endpoint 0. The packet size and endpoint buffer assigned to them are listed in the following table.

**Table 3. USB Resource Assignment**

Pipe Name	Endpoint	Direction	Transfer Type	Buffer Length	Related Address	Absolute Address
Control pipe	0	In	Control	8	0x20	0x1880
		Out		8	0x30	0x1890
Command pipe	1	Out	Bulk	16	0x40	0x18A0
Status pipe	2	In	Bulk	16	0x50	0x18B0
Data out pipe	3	Out	Bulk	32	0x60	0x18C0
	4					
Data in pipe	5	In	Interrupt	32	0x80	0x18E0
	6					

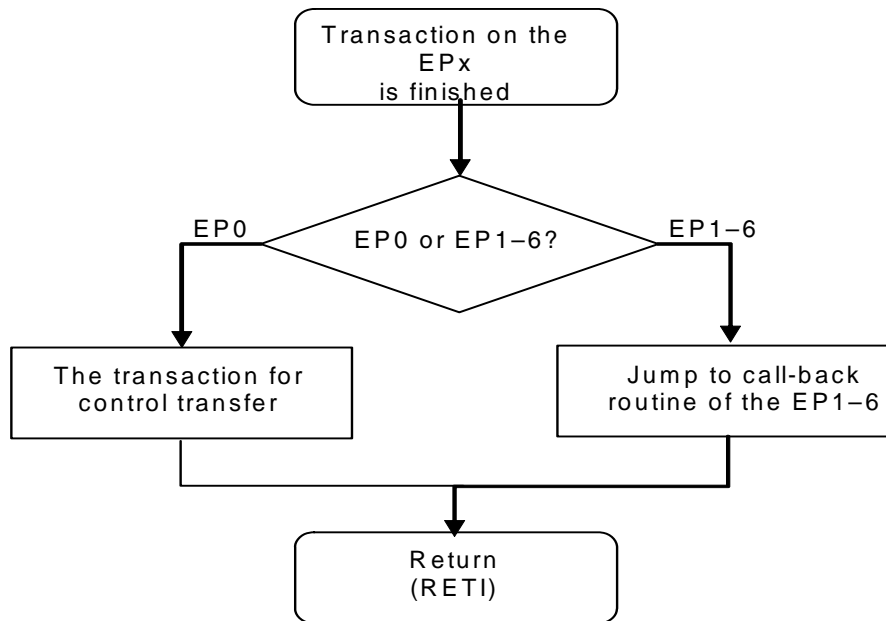
The declaration of the variant for these endpoints are placed in the file `Usr_Ep_Handler.h`. The initialization and events process for the endpoints are placed in the file `Usr_Ep.Handler.c`.

The MC9S08JM60 start address of the USB endpoint buffer must be 16-byte aligned. Therefore the allocated endpoint buffer in [Table 3](#) starts from 0x20, 0x30, 0x40 and are the multiples of 16.

### 5.2.2 Data Transfer for the USB Application Layer

#### 5.2.2.1 Call-Back Function for Endpoint 1-6

The USB interrupt is generated when a transaction finishes at an endpoint. The USB interrupt service (ISR) calls the `USB_Transaction_Handler` function and makes the program jump to the call-back functions of endpoints 1–6 according to the information in STAT register.



**Figure 8. Jump to Call-Back Function**

The array of the `Usr_Ep_Handler[6]` keeps the call-back functions for endpoints 1–6. The entrance of the call-back function is copied to the `Usr_Ep_Handler` array if the interrupt for endpoint (1–6) is enabled otherwise NULL is set to the associated element in the array.

The processing function for the USB data logger is saved in the `Usr_Ep_Handler` array.

```

pFunc Usr_Ep_Handler[6] = { &Ep1_Handler, &Ep2_Handler, &Ep3_Handler, NULL, &Ep5_Handler, NULL };
  
```

The code above is the declaration and initialization of `Usr_Rp_Handler` array. The unused endpoint 4 and 6 have no call-back function, therefore the elements of `Usr_Ep_handler` (3 and 5) are set to NULL.

### 5.2.2.2 Endpoint State

The variable `Usr_Ep_Buf_State` is used to save the state of endpoints 1–6. Bit [3..0] of this variable is used to save the state of the endpoints 1–4, and bit [7..5] keeps the state of endpoints 5 and 6. Endpoints 5 and 6 are a ping-pong buffer and each take two bits.

**Table 4. State of the Endpoint Buffer**

EP6 Odd	EP6 Even	EP5 Odd	EP5 Even	EP4	EP3	EP2	EP1
------------	-------------	------------	-------------	-----	-----	-----	-----

Logic 1 means that the endpoint receives data from the host and controlled by the CPU if the endpoint is set to out direction. Logic 0 means the SIE controls the endpoint.

Logic 1 means that the data has filled into endpoint buffer and SIE controls the endpoint buffer if the endpoint is set to in direction. The bit is logic 0 if the CPU has the control of the endpoint buffer.

### 5.2.2.3 Call-Back Function

The call-back function for the endpoint in out direction sets the associated bit to logic 1. This is because the SIE gives up control of the buffer descriptor (BD) and endpoint buffer to the CPU while an interrupt occurs. The data in the endpoint buffer is then copied to the user buffer that is assigned to keep the data temporary while the endpoint is busy. Finally the call-back function gives up control of the BD and endpoint buffer to the SIE for the next taction. This is the process for Ep1\_Handler function.

The call-back function for the endpoint in in direction clears the associated bit to logic 0. The CPU then controls the BD and endpoint buffer after the data has been fetched by the host. The main loop of the firmware polls the state of in direction endpoint, fills the data into the endpoint buffer, and delivers to the host.

### 5.2.2.4 Function for Sending Data

Two functions are used for delivering the data to the host: Send\_Data\_Ep() and Send\_Data\_PpEp().

Send\_Data\_Ep is used to send the data to endpoint 1–4 and Send\_Data\_PpEp is used to send data to the ping-pong buffer. The caller must pass one parameter to point out the even or odd buffer for the Send\_Data\_PpEp function.

At first both functions receive the source address and endpoint buffer address. Copy the data to the USB RAM (endpoint buffer) and hand over the control of the BD and endpoint buffer to the SIE.

## 5.3 Firmware for Different Functional Modules

### 5.3.1 Driver for the ADC Module

The ADC module driver is located in ADC.c. A few API functions are provided for the Usr\_Task to call.

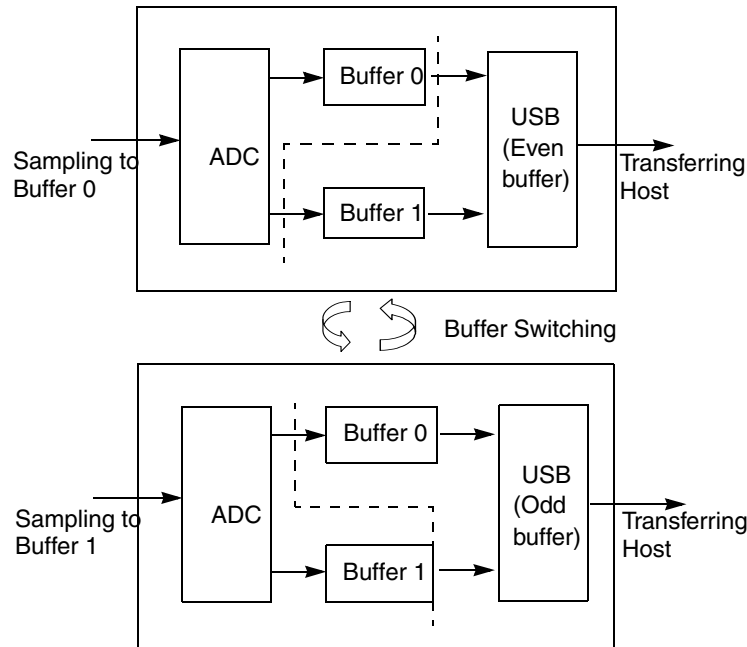
The ADC must be configured before starting conversion. Several variables are provided to keep the ADC configuration. Three functions are provided to configure the ADC module and receive the current ADC configurations. They are ADC\_Config(), Set\_Trigger\_Type (), and Get\_ADC\_Configuration().

After the ADC is configured the selected channels and their conversion commands are saved in the array Work\_Channel. The total number of enabled channels are kept in the variable of Total\_Channels. The firmware fetches the conversion command from Work\_Channel array and enables the conversion while the ADC is working.

Functions Get\_ADC\_Result () and Get\_ADC\_Ch\_Result() are used to receive the result of one or all ADC channels.

#### 5.3.1.1 Data Buffer for the ADC Conversion Results

The firmware adopts two buffers to keep the ADC conversion results for all channels. The working scheme is the same as the MC9S08JM60 USB ping-pong buffer.



**Figure 9. Working Scheme of ADC Buffers**

The `Working_Buf` variable is used to keep the activity buffer for the ADC module. The ADC conversion result is written to buffer 0 when the `Working_Buf` is 0. The result is written to buffer 1 when the `Working_Buf` is 1.

In case the data in the buffer is modified before delivering to the host a buffer is controlled by the ADC module and data from the other buffer can be copied to one of the ping-pong buffers of endpoint 5.

The data in buffer 0 is copied to the even buffer of endpoint 5, and the data in buffer 1 is copied to the odd buffer. The data in buffer 0 and 1 are then copied to the ping-pong buffer of endpoint 5.

The even buffer is used to transfer the `DATA0` packet. The odd buffer for the `DATA1` packet and the `DATA0/1` synchronization (DTS) does not need to be set in the BD of the ping-pong buffer.

### 5.3.1.2 Control of Sample Rate

Figure 2 illustrates the ADC sample sequence. All ADC channels are sampled and converted one by one in a sample period. The sample period is controlled by a timer. The ADC conversion starts when the timer expires and the conversion channels saved in the array of `Work_Channel` are converted one by one.

The ADC module adopts 6 MHz ( $24 \text{ MHz} / 4$ ) as the input clock. The conversion time for one channel with a 12 bit resolution is about  $4 \mu\text{s}$  ( $23 \times \text{ADCK} + 5 \times \text{Bus\_Clk}$ ). The total time for 14 channels is about 56 ms. The firmware can set the total conversion time to 100 ms because the time for switching channels must be taken into consideration. The USB data logger sets the maximum sample rate to 1 kHz. The ADC can perform the requirement without any problems.

The RTC module is adopted to the timer for the ADC sample. The RTC module of the MC9S08JM60 can use an on-chip 1 kHz clock source. The RTC module is enabled after the ADC is started and the ADC sample re-starts in the RTC interrupt service function.

The RTC supports a long sample period (low sample period), but can not meet the requirements for high sample frequency (more than 100 Hz). In this condition, the TPM1 is adopted to receive a high sample frequency for the data logger.

### 5.3.2 Input/Output Module

The GPIO.c file provides the initialization function for the input/output module, the API for LED control, and the function for returning the button status.

### 5.3.3 TPM Module

Channel 1 of the TPM2 is used to drive the buzzer on the demonstration board.

The tpm.c provides the API functions for the TPM2 module. It includes TPM initialization, configuration, and start and stop. The configuration function is used to set the TPM2 for outputting the PWM signal. The frequency and duty of the PWM signal can also be configured.

The TPM\_Start and TPM\_Stop are used to start or stop the output of the PWM signal.

## 6 PC Software of the Data Logger

The PC software of the USB data logger comprises the USB DLL driver and a friendly GUI.

The USB DLL driver provides the API functions for the GUI. These functions can be loaded automatically according to the vendor ID and product ID reported in the USB device enumeration process.

Figure 10 is the USB data logger GUI.

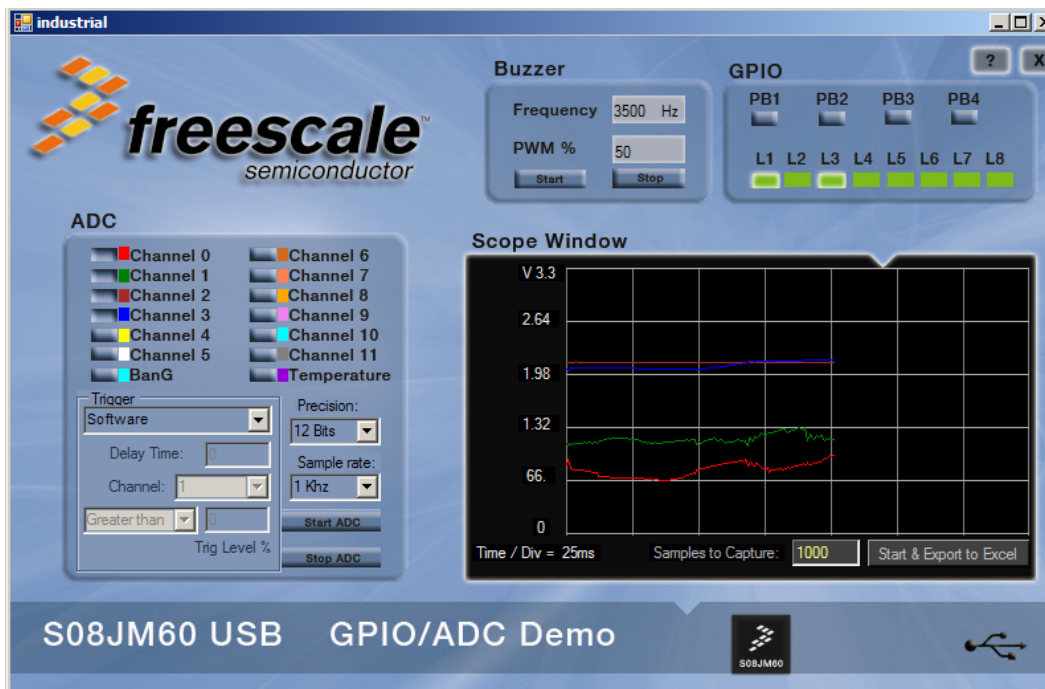


Figure 10. Data Logger GUI

## Summary

The data logger GUI can perform the following actions:

1. Refresh the status button
2. Set the buzzer to different frequencies
3. Set the PWM signal to a determined duty
4. Configure ADC channels, resolution, and trigger modes
5. Start/stop ADC conversion
6. Save the real-time data

## 7 Summary

In this document the USB data logger development is discussed. The following topics are involved:

- Features of the USB data logger
- Working scheme for USB data logger
- Firmware design of the USB data logger
  - Firmware architecture
  - Porting the USB stack
  - API functions for the user application layer
  - The ADC, TPM, and GPIO driver

The USB data logger firmware provides a clear USB application framework. The work scheme of the USB data logger and the development process is clear and porting the USB stack to a new application is easy.

## 8 Acronyms

USB	Universal Serial Bus
TPM	Time/Pulse-Width Modulator
RTC	Real-Time Counter
BD	Buffer Descriptor
SIE	Serial Interface Engine
GUI	Graphic User Interface

## Appendix A Application Protocol of the Data Logger

### A.1 ADC (Peripheral 0x02)

#### A.1.1 Host to Device

Command	Description	Data
0x00	Request ADC data	Byte 1 – Channel number: 0 – 11: ADCH 0 – 11 12: Temperature channel 13: Band gap channel

## Acronyms

Command	Description	Data
0x01	Config_ADC()	Byte 1 – Channel High bit7..6: Reserved bit5: Temperature bit4: Band Gap bit3..0: Ch11..Ch8 Byte 2 – Channel Low Ch7..Ch0 Byte 3 – Precision 0: 8 bit 1: 10 bit 2: 12 bit Byte 4 – Sample frequency 0: 0.01 Hz 1: 0.02 Hz 2: 0.05 Hz 3: 0.1 Hz 4: 0.2 Hz 5: 0.5 Hz 6: 1 Hz 7: 2 Hz 8: 5 Hz 9: 10 Hz 10: 20 Hz 11: 50 Hz 12: 100 Hz 13: 200 Hz 14: 500 Hz 15: 1 kHz 16: 2 kHz 17: 5 kHz 18: 10 kHz Byte 5 – Sample mode 0: SW trigger 1: Delay trigger 2: Level trigger Byte 6 – Para1 Delay trigger: Delay time(0–256s) Level trigger: trigger channel SW trigger: NA Byte 7 – Para 2 Level trigger: trigger logic, 0 greater than 1 less than Byte 8 – Para 3 Trigger level: 0-100%
0x02	Return_ADC_ Configuration() – Send the ADC configuration to the host	

Command	Description	Data
0x03	Start_ADC()	
0x04	Stop_ADC()	
0x05	Return_ADC_State()	

## A.1.2 Device to Host

Command	Description	Data
0x00	Return ADC data	Byte 1 – ADC Channel Byte 2 – Channel data high Byte 3 – Channel data low
0x01	Config_ADC() ACK	0xFF – Configuration accepted 0x00 – Configuration not accepted
0x02	Return_ADC_Configuration()	Byte 1 – Channel High bit7..6: Reserved bit5: Temperature bit4: Band Gap bit3..0: Ch11..Ch8 Byte 2 – Channel low Ch7..Ch0 Byte 3 – Precision 0: 8 bit 1: 10 bit 2: 12 bit Byte 4 – Sample frequency 0: 1 Hz 1: 10 Hz 2: 100 Hz ..... 5: 100 kHz Byte 5 – Sample mode 0: SW trigger 1: Delay trigger 2: Level trigger Byte 6 – Para1 Delay trigger: Delay time(0-256s) Level trigger: Trigger channel SW trigger: NA Byte 7 – Para 2 Level trigger: trigger logic, 0 greater than 1 less than Byte 8 – Para 3 Trigger level: 0-100%
0x03	Start_ADC() ACK	0xFF – Configuration accepted 0x00 – Configuration not accepted
0x04	Stop_ADC() ACK	0xFF – Configuration accepted 0x00 – Configuration not accepted

Command	Description	Data
0x05	Return_ADC_State()	Byte 1 – bit 7: Configured bit 6..2: Reserved bit 1: Data available

## A.2 General Use IO (Peripheral 0x06)

### A.2.1 Host to Device

Command	Description	Data
0x00	Set LED status	1 byte – Data to be transferred to 8 bit output port (PTE2, PTE3, PTF0, PTF1, PTC2, PTC4, PTF5, PTD2). Binary encoded.
0x01	Read the buttons' status	

### A.2.2 Device to Host

Command	Description	Data
0x00	Set LED status	0xFF – configuration accepted 0x00 – configuration not accepted
0x01	Read the buttons' status	Bit3..Bit0 Led4..Led1

## A.3 TPM (Peripheral 0x07)

### A.3.1 Host to Device

Command	Description	Data
0x00	Start PWM	Byte 1 – Frequency high Byte 2 – Frequency low (Range: 0 - 1000) Byte 3 – Duty cycle (0 – 100)
0x01	Stop PWM	

### A.3.2 Device to host

Command	Description	Data
0x00	Start PWM	0xFF – Configuration accepted 0x00 – Configuration not accepted
0x01	Stop PWM	0xFF – Configuration accepted 0x00 – Configuration not accepted

## Appendix B the USB Data Logger Software

The USB data logger software is provided for reference. The software includes the firmware, PC driver (Win-Driver), and GUI. For more details go to [www.freescale.com](http://www.freescale.com).

The USB data logger firmware project is developed under CodeWarrior for the HC(S)08 V6.0 with the MC9S08JM60 service pack installed. It can be downloaded to the demonstration board MC9S08JM60.

If the data logger demonstration board is connected to a PC with Windows XP the system then prompts a dialog box to show that a new device is detected and the Win-Driver can be installed.

The GUI is included in the installation package and can be installed in the system.

## How to Reach Us:

### Home Page:

[www.freescale.com](http://www.freescale.com)

### Web Support:

<http://www.freescale.com/support>

### USA/Europe or Locations Not Listed:

Freescale Semiconductor, Inc.  
Technical Information Center, EL516  
2100 East Elliot Road  
Tempe, Arizona 85284  
+1-800-521-6274 or +1-480-768-2130  
[www.freescale.com/support](http://www.freescale.com/support)

### Europe, Middle East, and Africa:

Freescale Halbleiter Deutschland GmbH  
Technical Information Center  
Schatzbogen 7  
81829 Muenchen, Germany  
+44 1296 380 456 (English)  
+46 8 52200080 (English)  
+49 89 92103 559 (German)  
+33 1 69 35 48 48 (French)  
[www.freescale.com/support](http://www.freescale.com/support)

### Japan:

Freescale Semiconductor Japan Ltd.  
Headquarters  
ARCO Tower 15F  
1-8-1, Shimo-Meguro, Meguro-ku,  
Tokyo 153-0064  
Japan  
0120 191014 or +81 3 5437 9125  
[support.japan@freescale.com](mailto:support.japan@freescale.com)

### Asia/Pacific:

Freescale Semiconductor Hong Kong Ltd.  
Technical Information Center  
2 Dai King Street  
Tai Po Industrial Estate  
Tai Po, N.T., Hong Kong  
+800 2666 8080  
[support.asia@freescale.com](mailto:support.asia@freescale.com)

### For Literature Requests Only:

Freescale Semiconductor Literature Distribution Center  
P.O. Box 5405  
Denver, Colorado 80217  
1-800-441-2447 or 303-675-2140  
Fax: 303-675-2150  
[LDCForFreescaleSemiconductor@hibbertgroup.com](mailto:LDCForFreescaleSemiconductor@hibbertgroup.com)

Document Number: AN3582  
Rev. 0  
02/2008

Information in this document is provided solely to enable system and software implementers to use Freescale Semiconductor products. There are no express or implied copyright licenses granted hereunder to design or fabricate any integrated circuits or integrated circuits based on the information in this document.

Freescale Semiconductor reserves the right to make changes without further notice to any products herein. Freescale Semiconductor makes no warranty, representation or guarantee regarding the suitability of its products for any particular purpose, nor does Freescale Semiconductor assume any liability arising out of the application or use of any product or circuit, and specifically disclaims any and all liability, including without limitation consequential or incidental damages. "Typical" parameters that may be provided in Freescale Semiconductor data sheets and/or specifications can and do vary in different applications and actual performance may vary over time. All operating parameters, including "Typicals", must be validated for each customer application by customer's technical experts. Freescale Semiconductor does not convey any license under its patent rights nor the rights of others. Freescale Semiconductor products are not designed, intended, or authorized for use as components in systems intended for surgical implant into the body, or other applications intended to support or sustain life, or for any other application in which the failure of the Freescale Semiconductor product could create a situation where personal injury or death may occur. Should Buyer purchase or use Freescale Semiconductor products for any such unintended or unauthorized application, Buyer shall indemnify and hold Freescale Semiconductor and its officers, employees, subsidiaries, affiliates, and distributors harmless against all claims, costs, damages, and expenses, and reasonable attorney fees arising out of, directly or indirectly, any claim of personal injury or death associated with such unintended or unauthorized use, even if such claim alleges that Freescale Semiconductor was negligent regarding the design or manufacture of the part.

RoHS-compliant and/or Pb-free versions of Freescale products have the functionality and electrical characteristics as their non-RoHS-compliant and/or non-Pb-free counterparts. For further information, see <http://www.freescale.com> or contact your Freescale sales representative.

For information on Freescale's Environmental Products program, go to <http://www.freescale.com/epp>.

Freescale™ and the Freescale logo are trademarks of Freescale Semiconductor, Inc. All other product or service names are the property of their respective owners.  
© Freescale Semiconductor, Inc. 2008. All rights reserved.

