


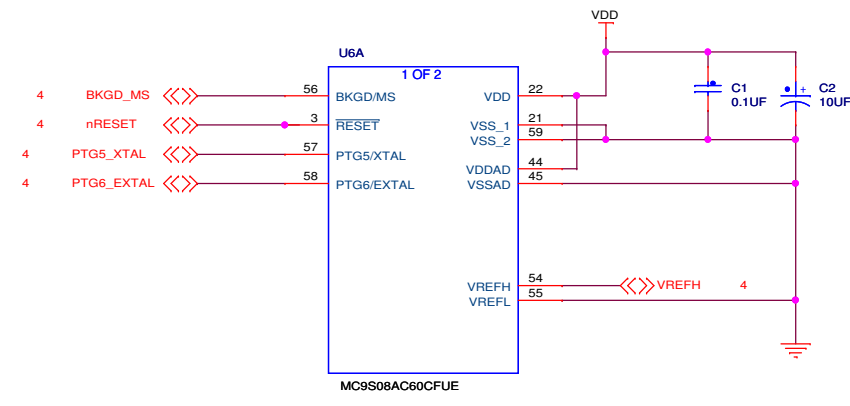
<b>Table of Contents</b>	
PAGE	
3	MC9S08AC60CFUE
4	DC INTERFACE

Revisions			
Rev	Description	Date	Approved
X1	Initial	18-February-11	
X2	Revise	22-February-11	
A	Release	1-March-11	

		<b>Microcontroller Solutions Group</b>	
		6501 William Cannon Drive West Austin, TX 78735-8598	
This document contains information proprietary to Freescale Semiconductor and shall not be used for engineering design, procurement or manufacture in whole or in part without the express written permission of Freescale Semiconductor.			
Designer: RA6329 & R80133		Drawing Title: <b>TWR-S08DC-AC60</b>	
Drawn by: Jun Ciao		Page Title: <b>TITLE PAGE</b>	
Approved: RA6329 & R80133	Size C	Document Number SCH-27058 PDF: SPF-27058	Rev A
Date: Wednesday, February 23, 2011		Sheet 1 of 4	

**REV X1:**  
Initial.  
**REV X2:**  
Change CAS-120B1 to CAS-120A1 in order to reduce the lead time.  
**REV A:**  
1) The first digit of RXX designate the location (1 for ID1, 2 for ID2), the second digit of RXX designate the assigned value (0 for 0ohm, 1 for 1.3K, 2 for 3.3K, 3 for 5.6K, 4 for 10K, 5 for 18K ...)  
2) Release

		
ICAP Classification: FCP: FIUQ: X PUBI:		
Drawing Title: <b>TWR-S08DC-AC60</b>		
Page Title: <b>NOTES</b>		
Size C	Document Number SCH-27058 PDF: SPF-27058	Rev A
Date: Wednesday, February 23, 2011 Sheet 2 of 4		



ICAP Classification: FCP: FIUQ: X PUBI:  
 Drawing Title: **TWR-S08DC-AC60**  
 Page Title: **MC9S08AC60CFUE**

Size C	Document Number SCH-27058 PDF: SPF-27058	Rev A
Date: Wednesday, February 23, 2011	Sheet 3 of 4	

