


1	<b>Title Page</b>
2	Title page
3	Notes
4	MCU
5	Isolated JTAG port
6	Analog
7	Power & Connector

Revisions			
Rev	Description	Date	Approved
A	Initial release	7-March-19	Sutter Zhou
A1	1. The parts in USB to UART circuit are populated in A1 version. Including U5, R44, R40 and R41. 2. CP2102N-A02-GQFN28 is used as U5. Due to the former CP2102N-A01-GQFN28 isn't produced any more.	29-Sep-22	Jacen Sun

		<b>Microcontroller Product Group</b> 6501 William Cannon Drive West Austin, TX 78735-8598	
This document contains information proprietary to NXP and shall not be used for engineering design, procurement or manufacture in whole or in part without the express written permission of NXP Semiconductors.			
ICAP Classification: CP: IUO: X PUBL:			
Designer: Sutter Zhou	Drawing Title: <b>HVP-56F83783</b>		
Drawn by: Sutter Zhou	Page Title: <b>Title Page</b>		
Approved: <Approver>	Size A4	Document Number SCH-45655, PDF: SPF-45655	Rev A1
Date:	Wednesday, September 28, 2022	Sheet	1 of 6

NOTES:



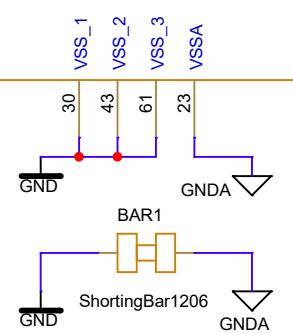
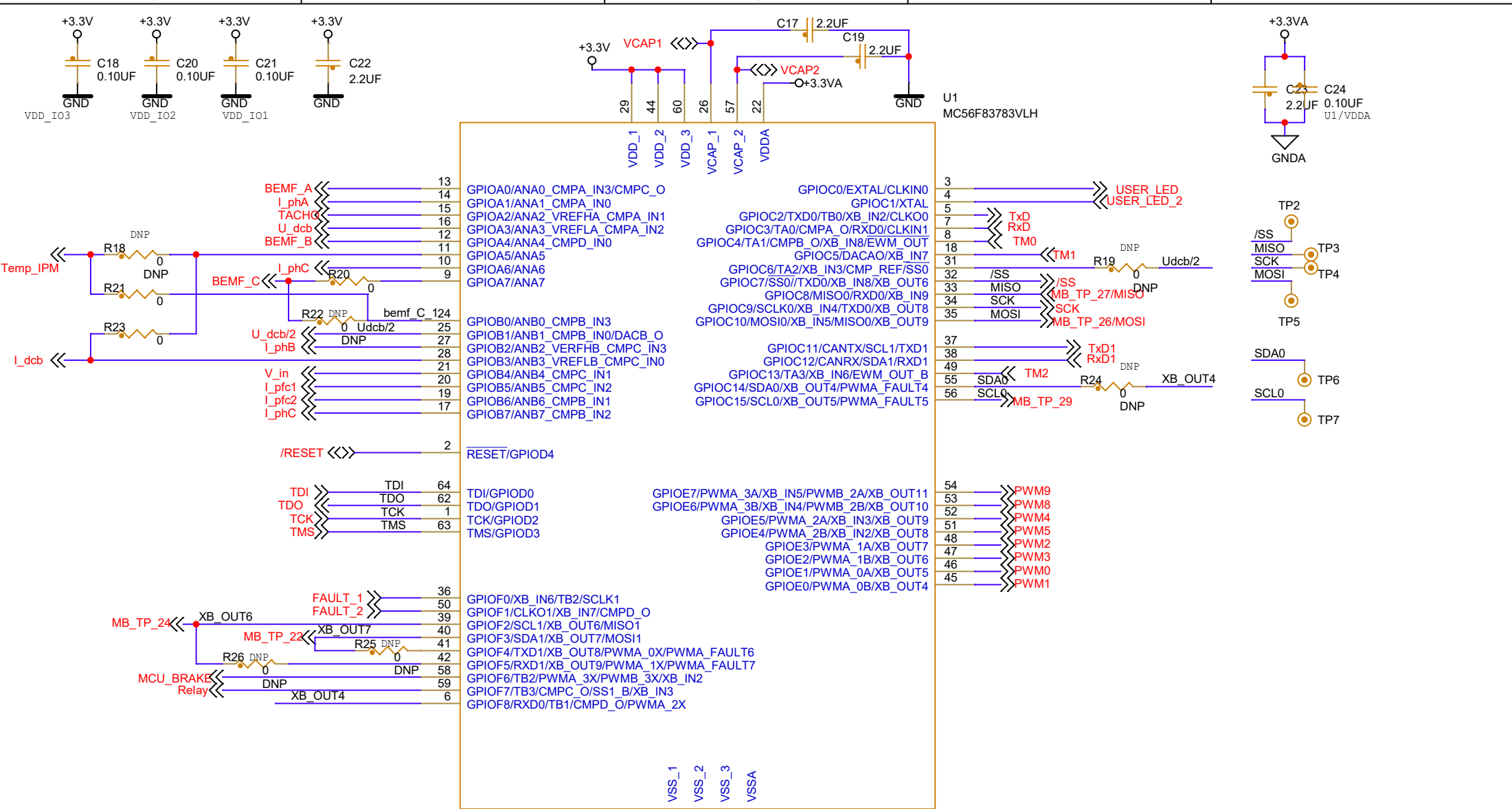
**Microcontroller Product Group**

6501 William Cannon Drive West  
Austin, TX 78735-8598

This document contains information proprietary to NXP and shall not be used for engineering design, procurement or manufacture in whole or in part without the express written permission of NXP Semiconductors.

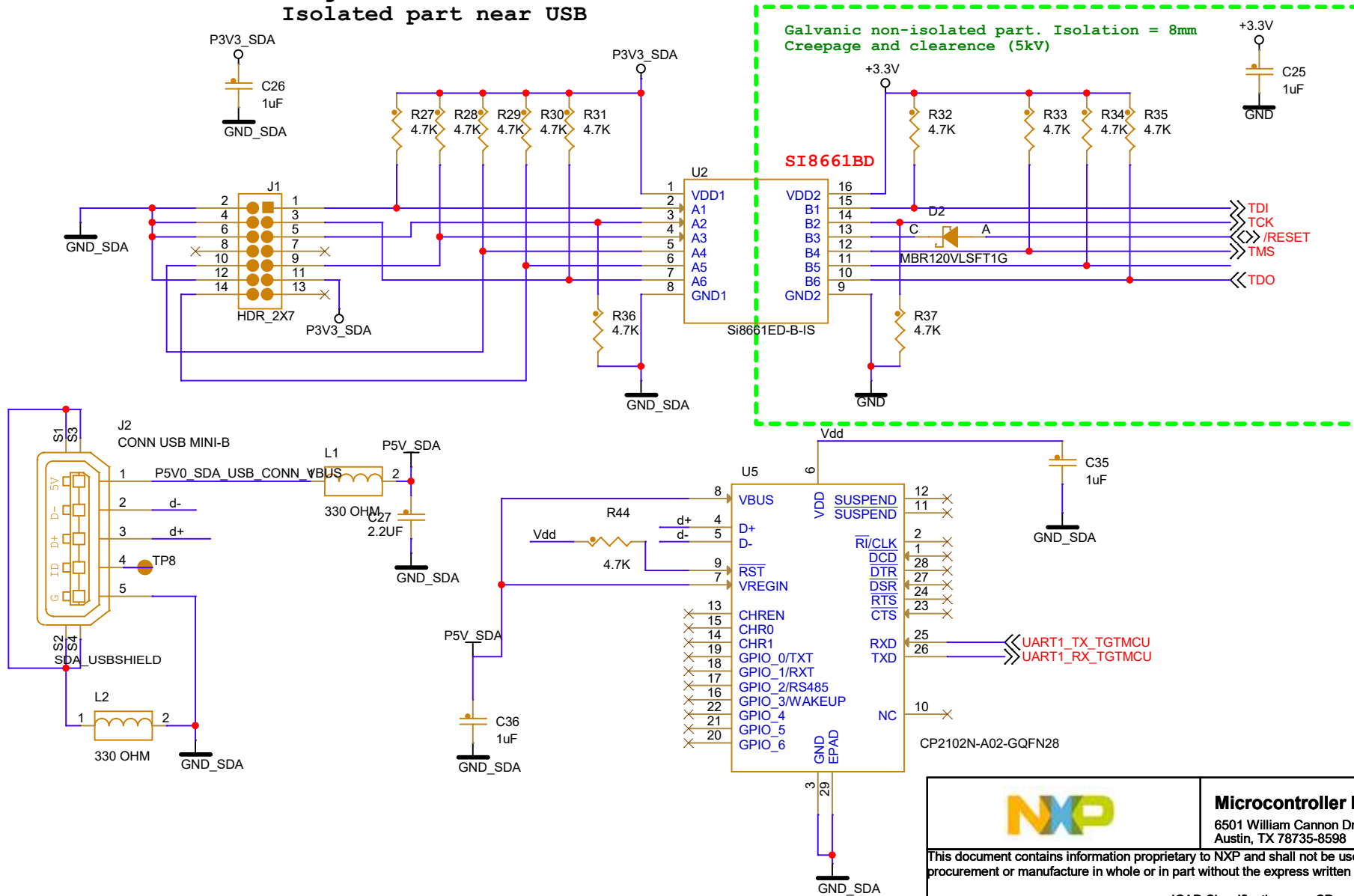
ICAP Classification: CP: IUO: X PUBL:


Designer: Sutter Zhou	Drawing Title: <b>HVP-56F83783</b>		
Drawn by: Sutter Zhou	Page Title: <b>Title Page</b>		
Approved: <Approver>	Size A4	Document Number SCH-45655, PDF: SPF-45655	Rev A1
Date:	Wednesday, September 28, 2022	Sheet	2 of 6

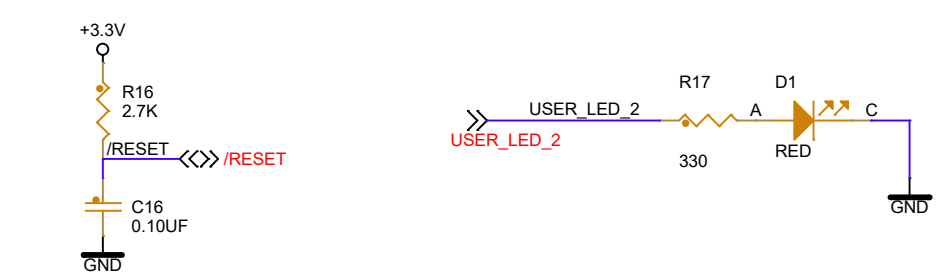
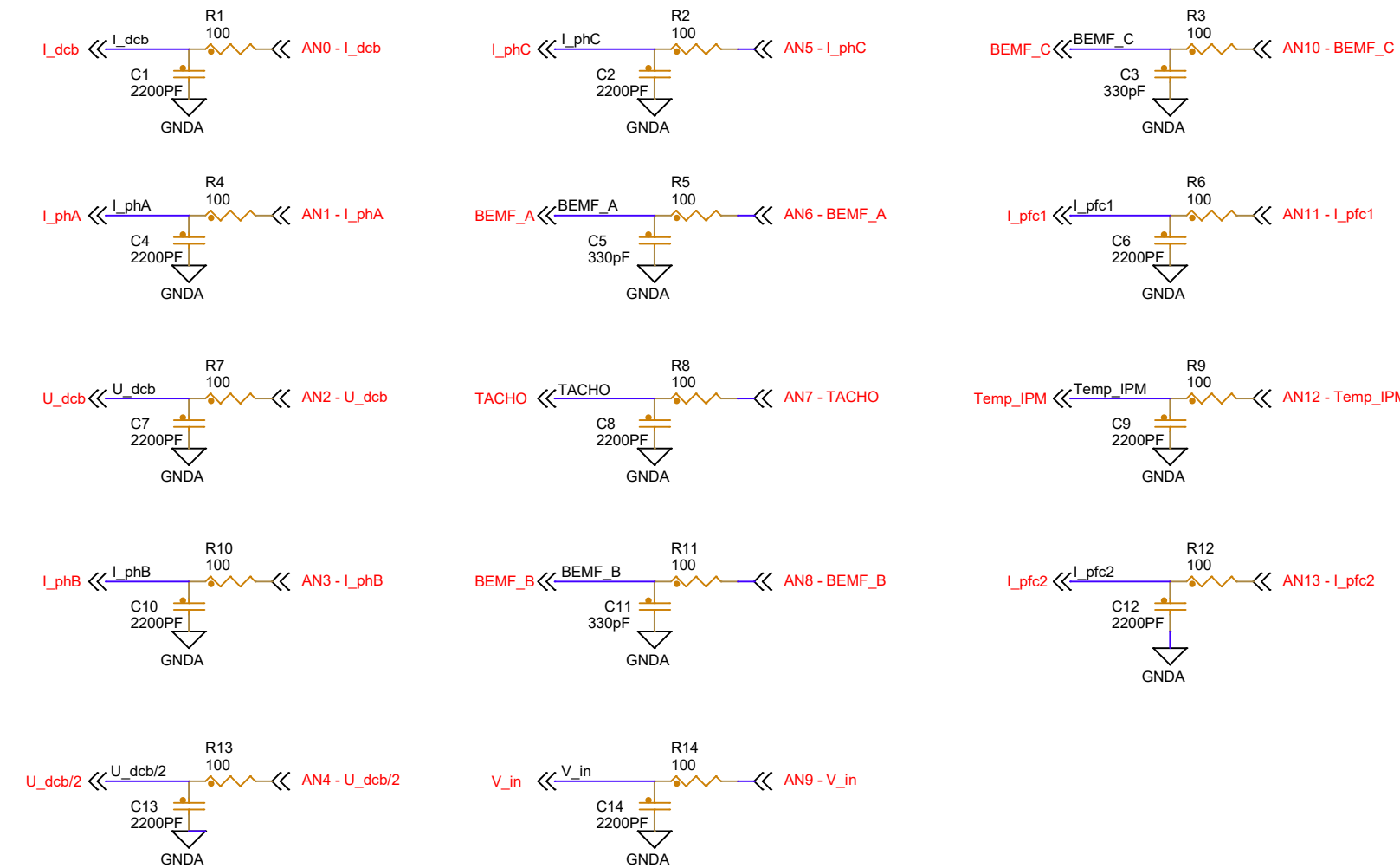



		<b>Microcontroller Product Group</b> 6501 William Cannon Drive West Austin, TX 78735-8598	
		This document contains information proprietary to NXP and shall not be used for engineering design, procurement or manufacture in whole or in part without the express written permission of NXP Semiconductors.	
Designer: Sutter Zhou		Drawing Title: <b>HVP-56F83783</b>	
Drawn by: Sutter Zhou		Page Title: <b>MCU</b>	
Approved: <Approver>		Size A4	Document Number SCH-45655, PDF: SPF-45655
Date: Wednesday, September 28, 2022		Sheet 3	of 6
		Rev A1	

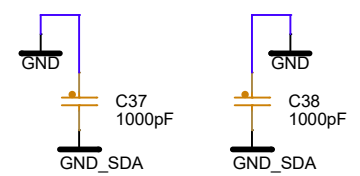
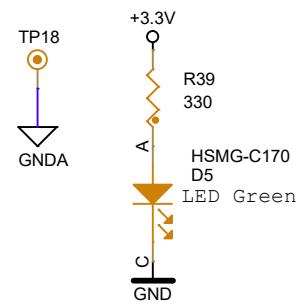
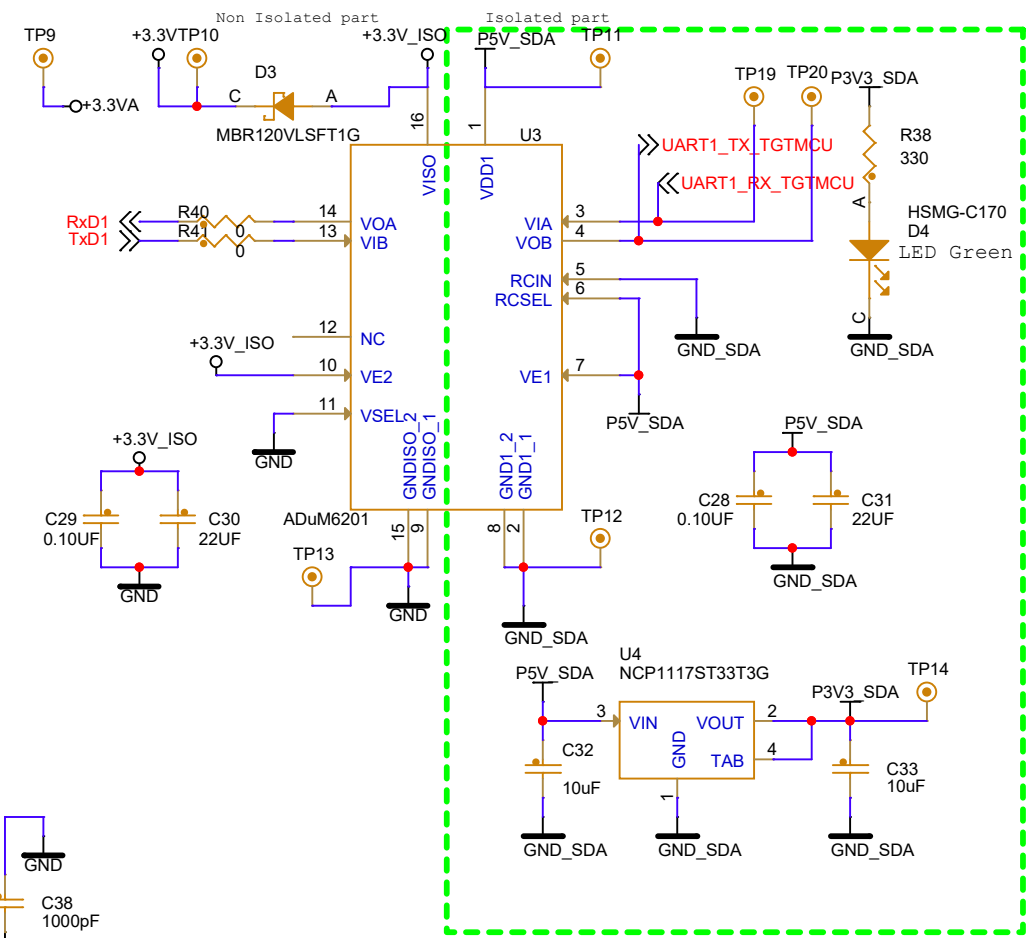
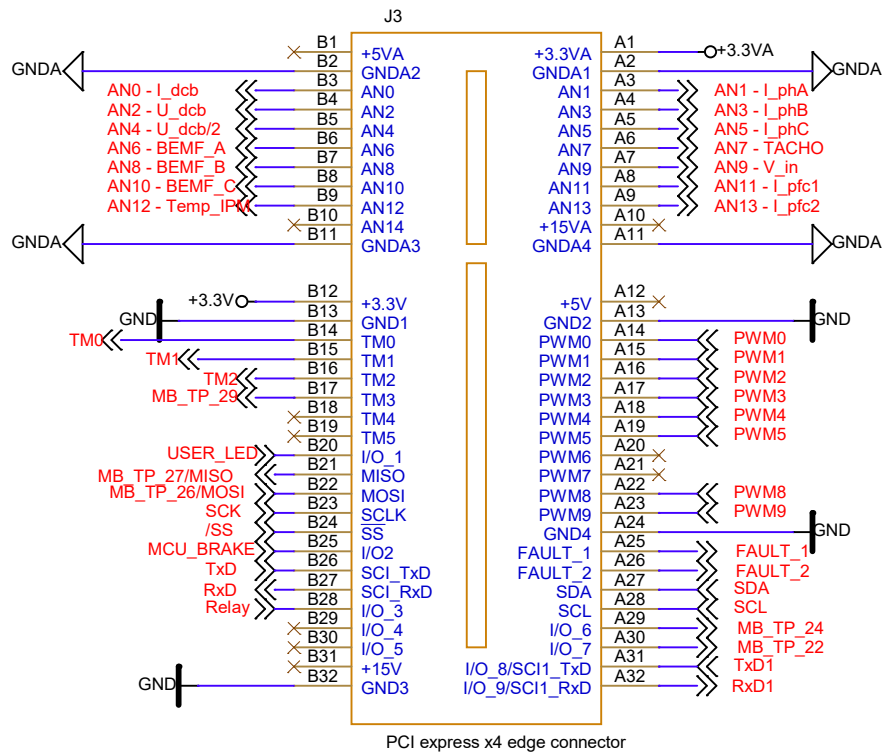
# Target MCU JTAG Connector Isolated part near USB



		<b>Microcontroller Product Group</b> 6501 William Cannon Drive West Austin, TX 78735-8598	
		This document contains information proprietary to NXP and shall not be used for engineering design, procurement or manufacture in whole or in part without the express written permission of NXP Semiconductors.	
ICAP Classification: CP: IUO: X PUBL:		Designer: Sutter Zhou	
Drawing Title: <b>HVP-56F83783</b>		Drawn by: Sutter Zhou	
Approved: <Approver>		Size A4	Document Number SCH-45655, PDF: SPF-45655
Date: Wednesday, September 28, 2022		Sheet 4 of 6	Rev A1



		<b>Microcontroller Product Group</b> 6501 William Cannon Drive West Austin, TX 78735-8598	
		This document contains information proprietary to NXP and shall not be used for engineering design, procurement or manufacture in whole or in part without the express written permission of NXP Semiconductors.	
		ICAP Classification: CP: IUO: X PUBL:	
Designer: Sutter Zhou	Drawing Title: <b>HVP-56F83783</b>		
Drawn by: Sutter Zhou	Page Title: <b>Analog</b>		
Approved: <Approver>	Size A4	Document Number SCH-45655, PDF: SPF-45655	Rev A1
Date: Wednesday, September 28, 2022		Sheet 5 of 6	



		<b>Microcontroller Product Group</b> 6501 William Cannon Drive West Austin, TX 78735-8598	
		This document contains information proprietary to NXP and shall not be used for engineering design, procurement or manufacture in whole or in part without the express written permission of NXP Semiconductors.	
ICAP Classification: CP: IUO: X PUBI:		Designer: Sutter Zhou	
Drawing Title: <b>HVP-56F83783</b>		Drawn by: Sutter Zhou	
Page Title: <b>Power &amp; Connector</b>		Approved: <Approver>	
Size A4	Document Number SCH-45655, PDF: SPF-45655	Rev A1	
Date: Wednesday, September 28, 2022	Sheet 6	of 6	