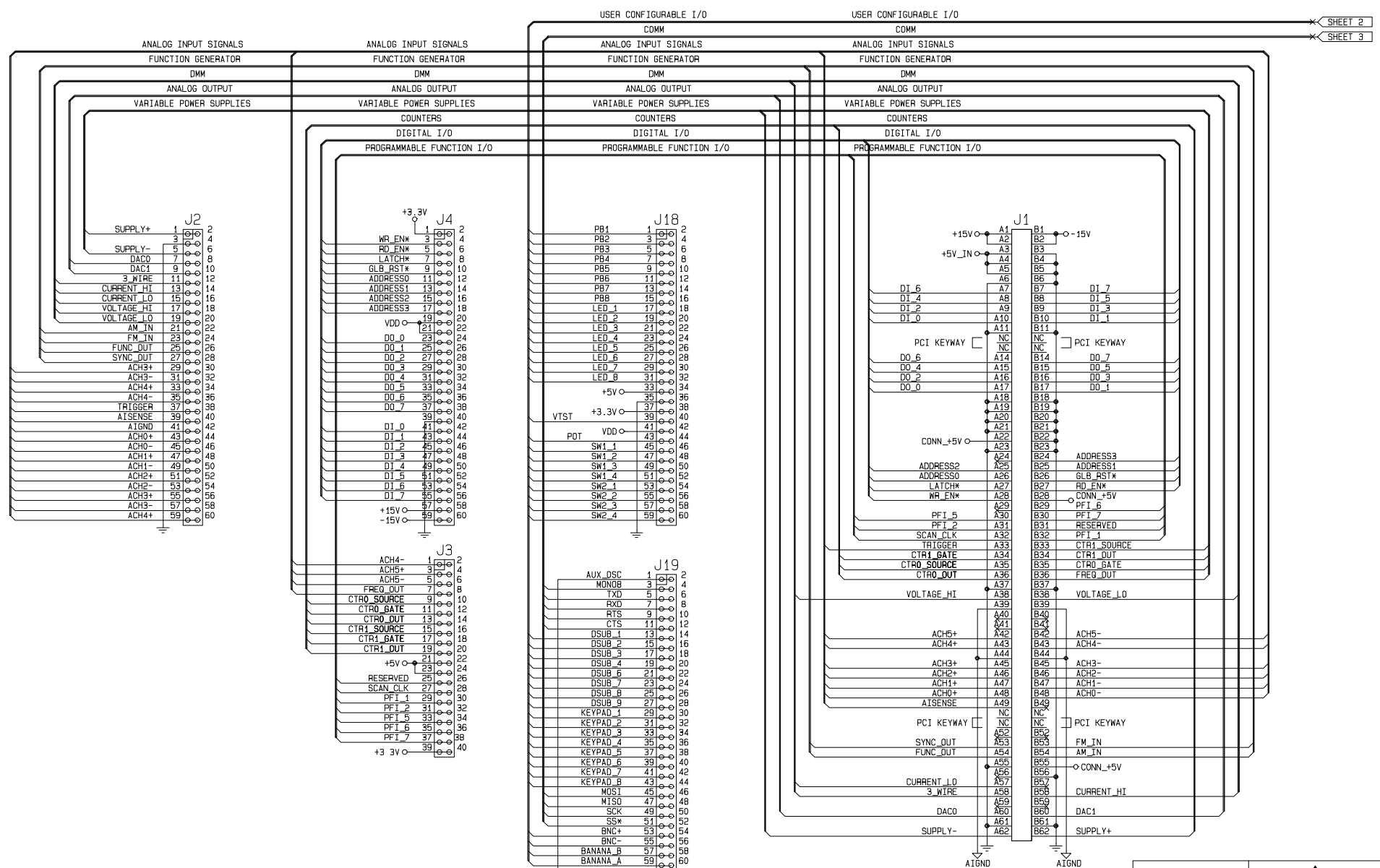




8 7 6 5 4 3 2 1

D
C
B
A



SHEET 2
SHEET 3

SHEET 2 AUX_DSC

8 7 6 5 4 3 2 1

APPROVALS		DATE		TITLE	
DRAWN	GLM	081004		MCU PROJECT BOARD AXM-0331	
CHECKED	DSR	081004		SIZE	AX-SCH-0311
FINISH				SCALE	

SHEET 1 OF 4



SHEET 1 USER CONFIGURABLE I/O

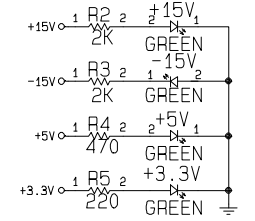
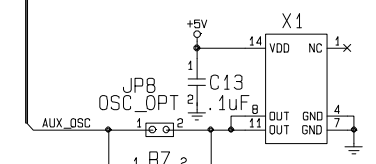
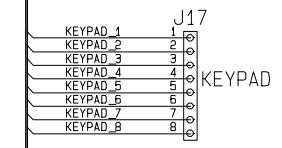
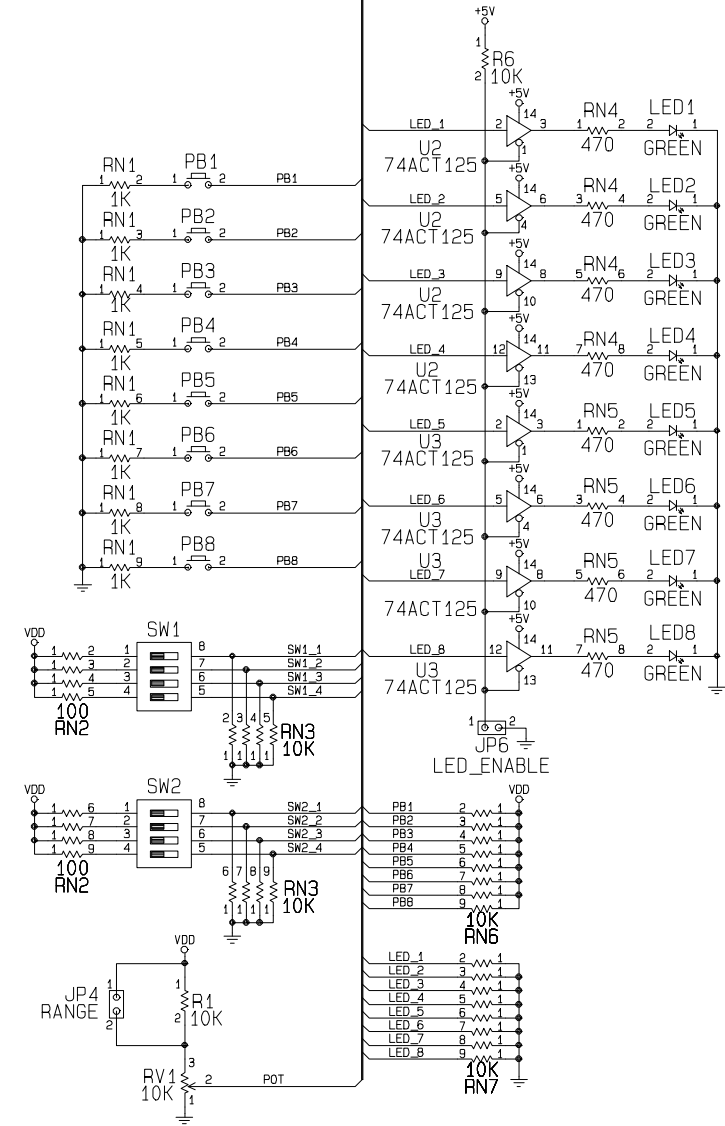
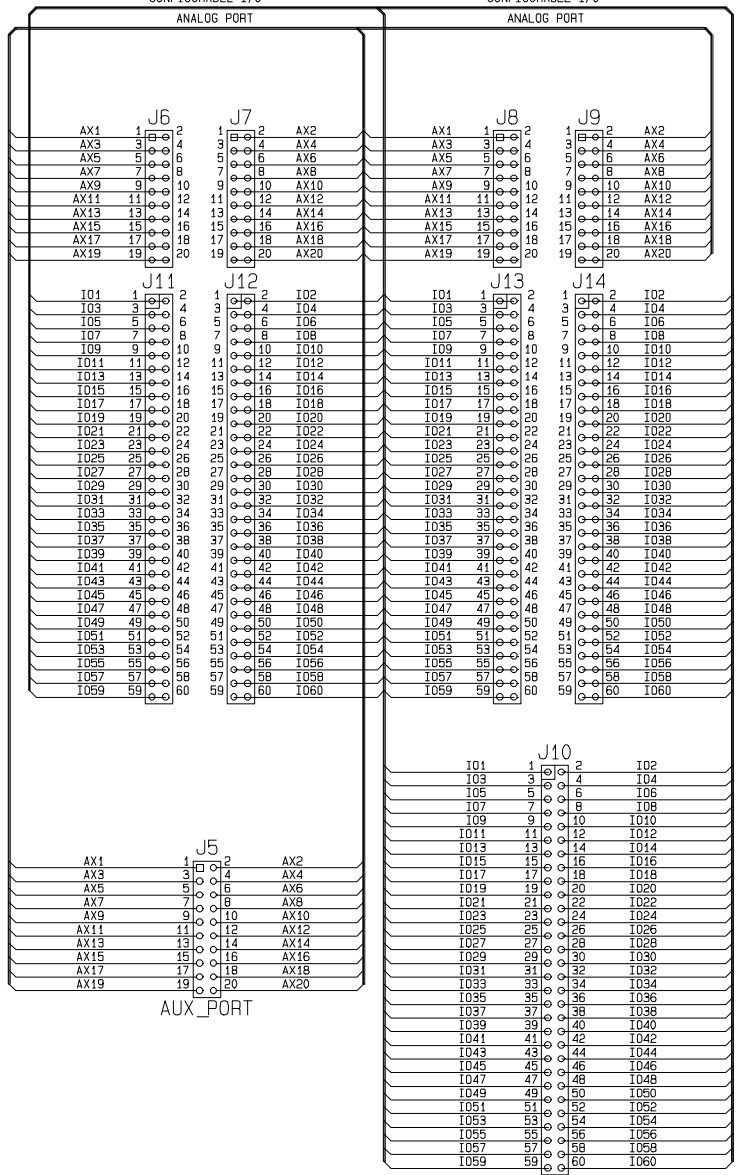
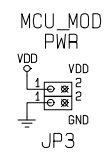
CONFIGURABLE I/O ANALOG PORT

USER CONFIGURABLE I/O

CONFIGURABLE I/O ANALOG PORT

USER CONFIGURABLE I/O

USER CONFIGURABLE I/O



APPROVALS		DATE		TITLE			
GLM	DSR	081004	081004	MCU PROJECT BOARD AXM-0331			
DSR	DSR	081004	081004	SIZE	DWG. NO.	REV	D
FINISH		SCALE		AX-SCH-0311		SHEET 2 OF 4	

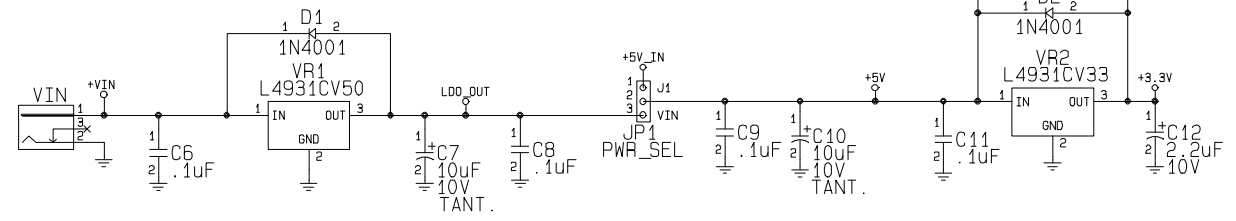
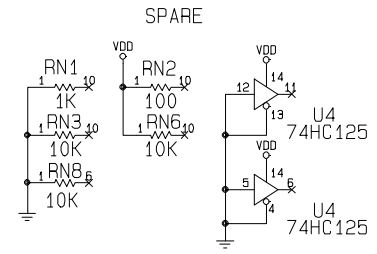
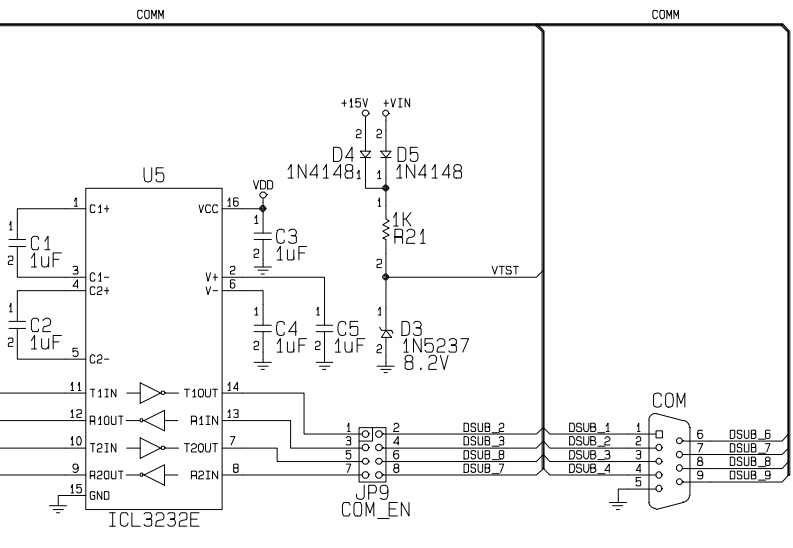
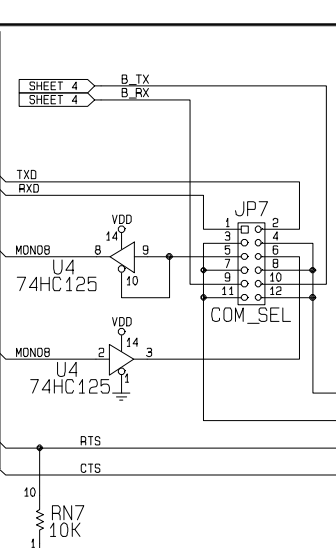
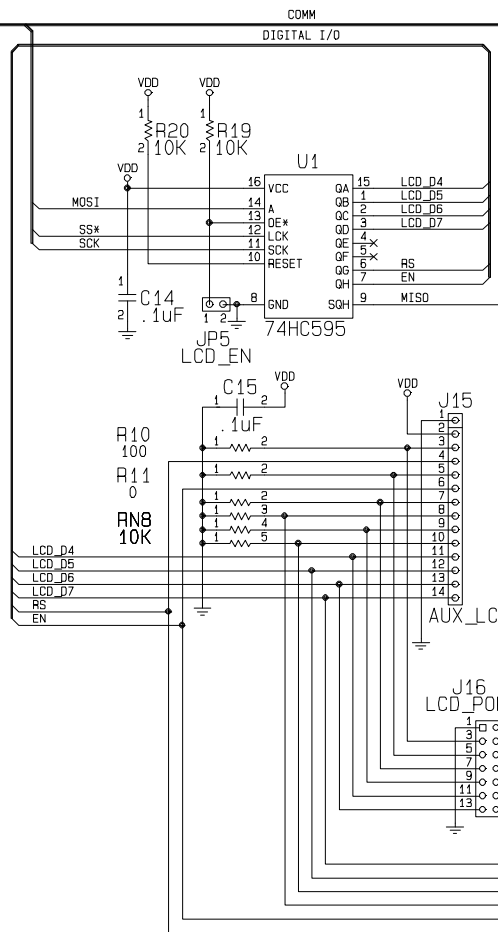
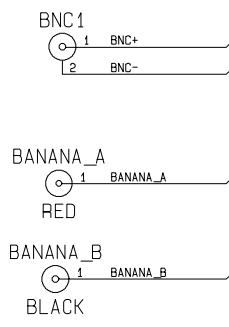


8 7 6 5 4 3 2 1

D

D

SHEET 1 CDMM
SHEET 2 USER CONFIGURABLE I/O



B

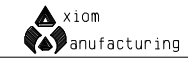
B

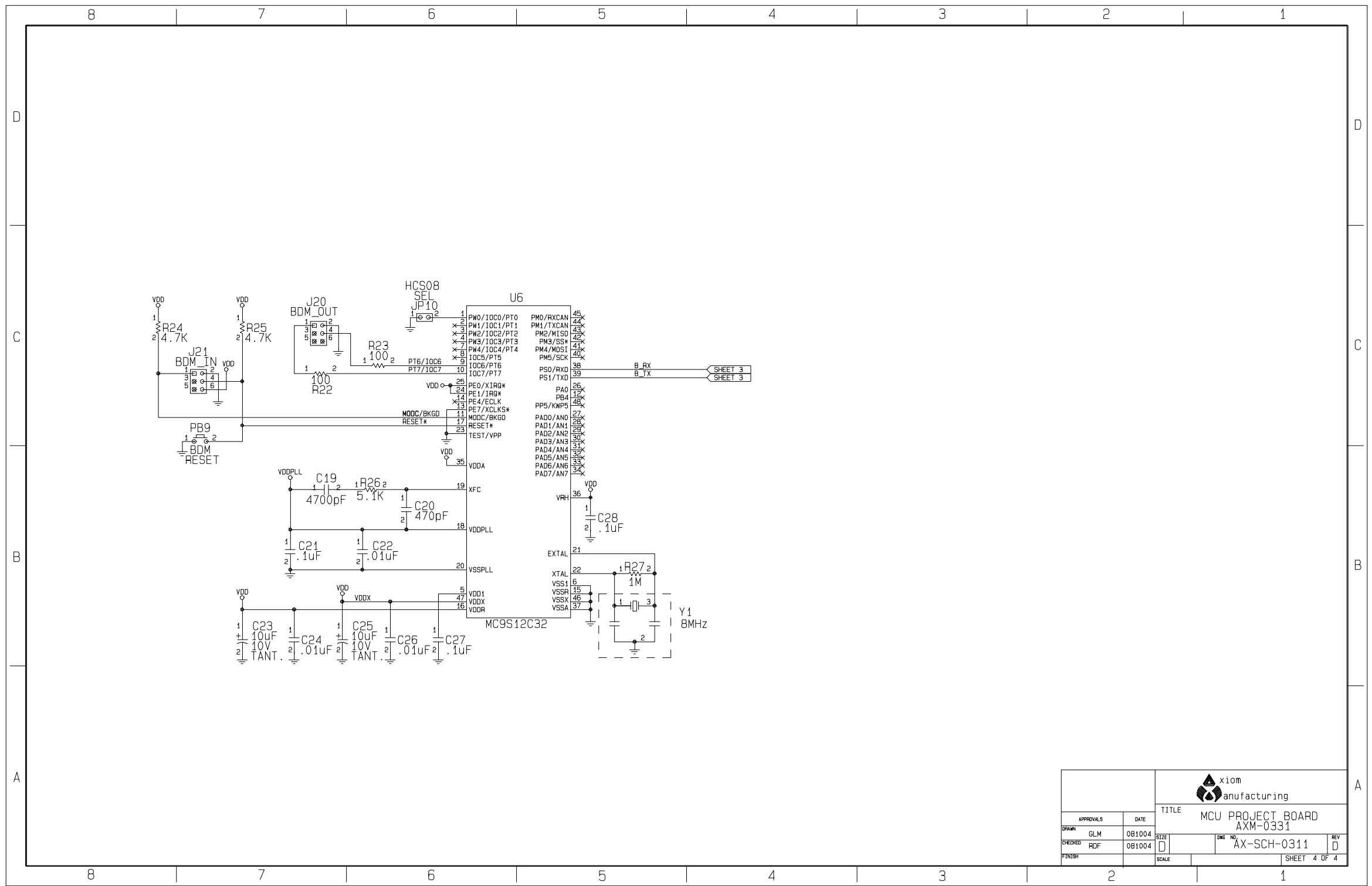
A

A

8 7 6 5 4 3 2 1

APPROVALS		DATE	TITLE	
DRAWN	GLM	081004	MCU PROJECT BOARD AXM-0331	
CHECKED	DSR	081004	SIZE	DWG NO. AX-SCH-0311
FINISH			SCALE	REV D
			SHEET 3 OF 4	





APPROVALS		DATE		TITLE	
DRAWN	GLM	081004		MCU PROJECT BOARD	
CHECKED	RDF	081004		AXM-0331	
FINISH				DWG NO.	AX-SCH-0311
SCALE				SIZE	REV
					D
				SHEET 4 OF 4	

