

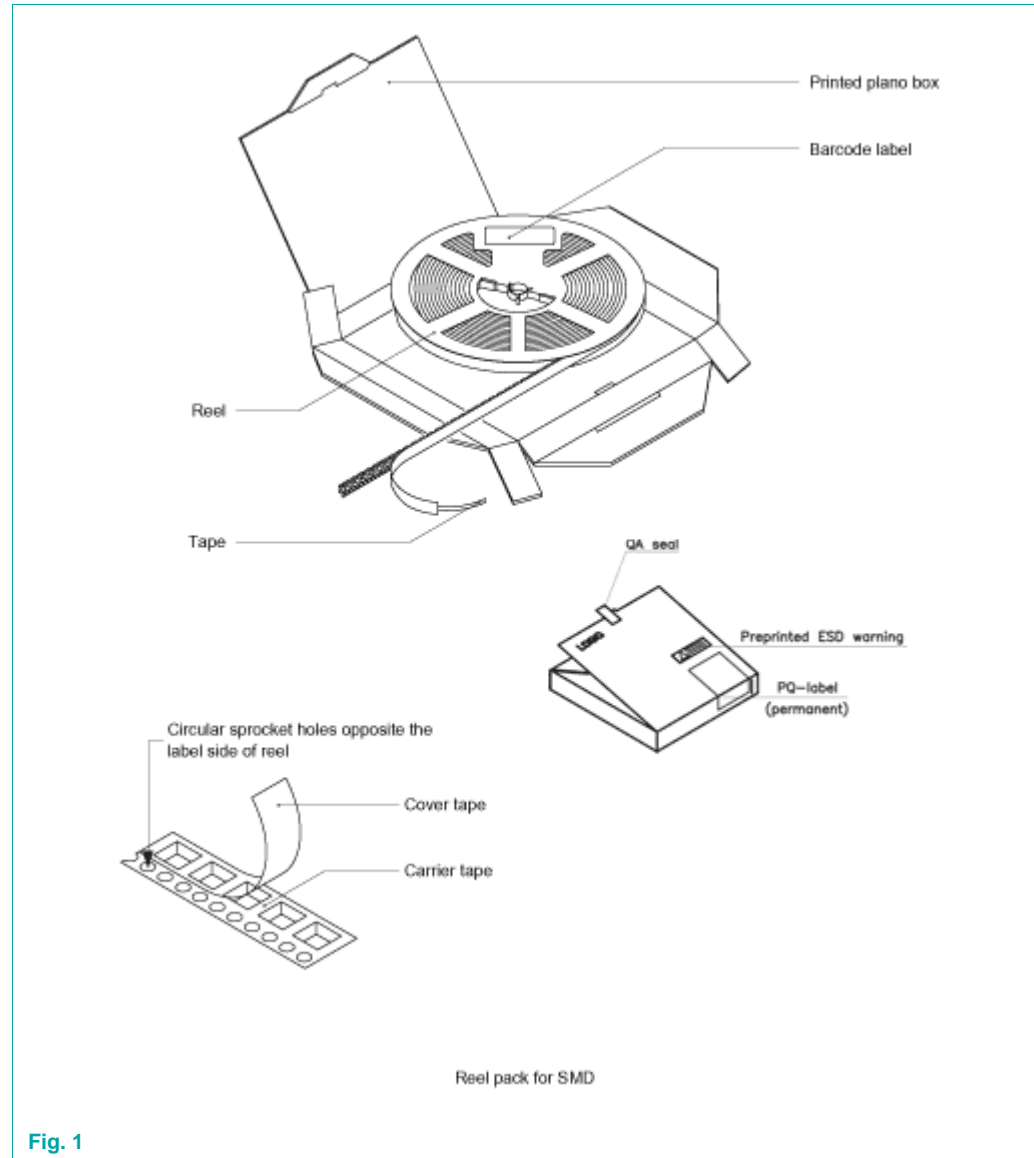
SOT833-1

Standard product orientation 12NC ending 115

Rev. 03 — 28 July 2011

Packing information

1. Packing method



Package version	12NC ending	Reel dimensions d x w (mm)	SPQ/PQ (pcs)	Reels per box	Outer box dimensions l x w x h (mm)
SOT833	115	180 x 8	5000	1	186 x 186 x 16



2. Product orientation

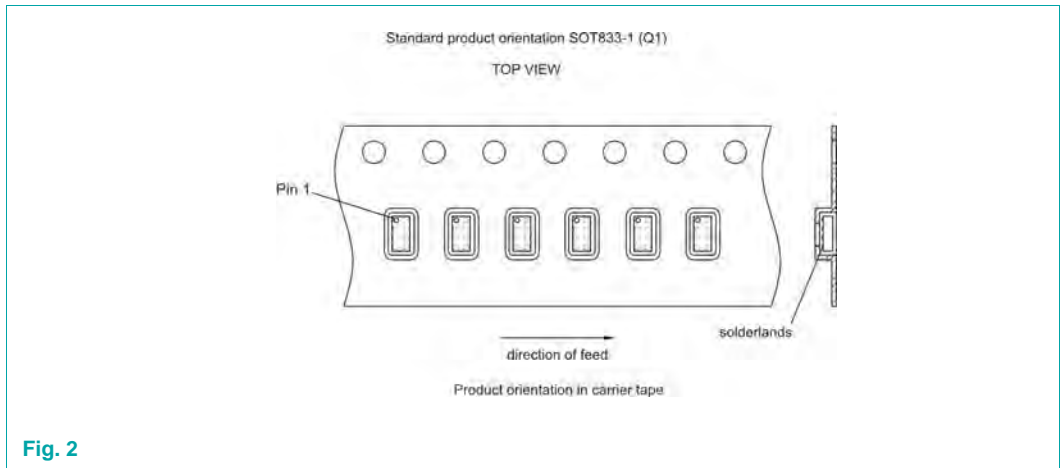


Fig. 2

3. Carrier tape dimensions

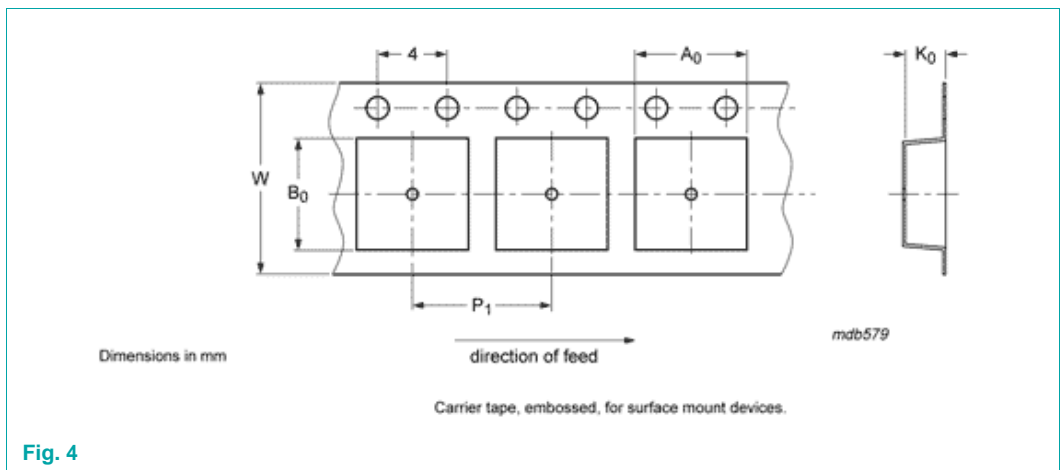


Fig. 4

12NC ending	A ₀ (mm)	B ₀ (mm)	K ₀ (mm)	T (mm)	P ₁ (mm)	W (mm)
115	1.25	2.20	0.60	-	4.0	8

4. Carrier tape dimensions

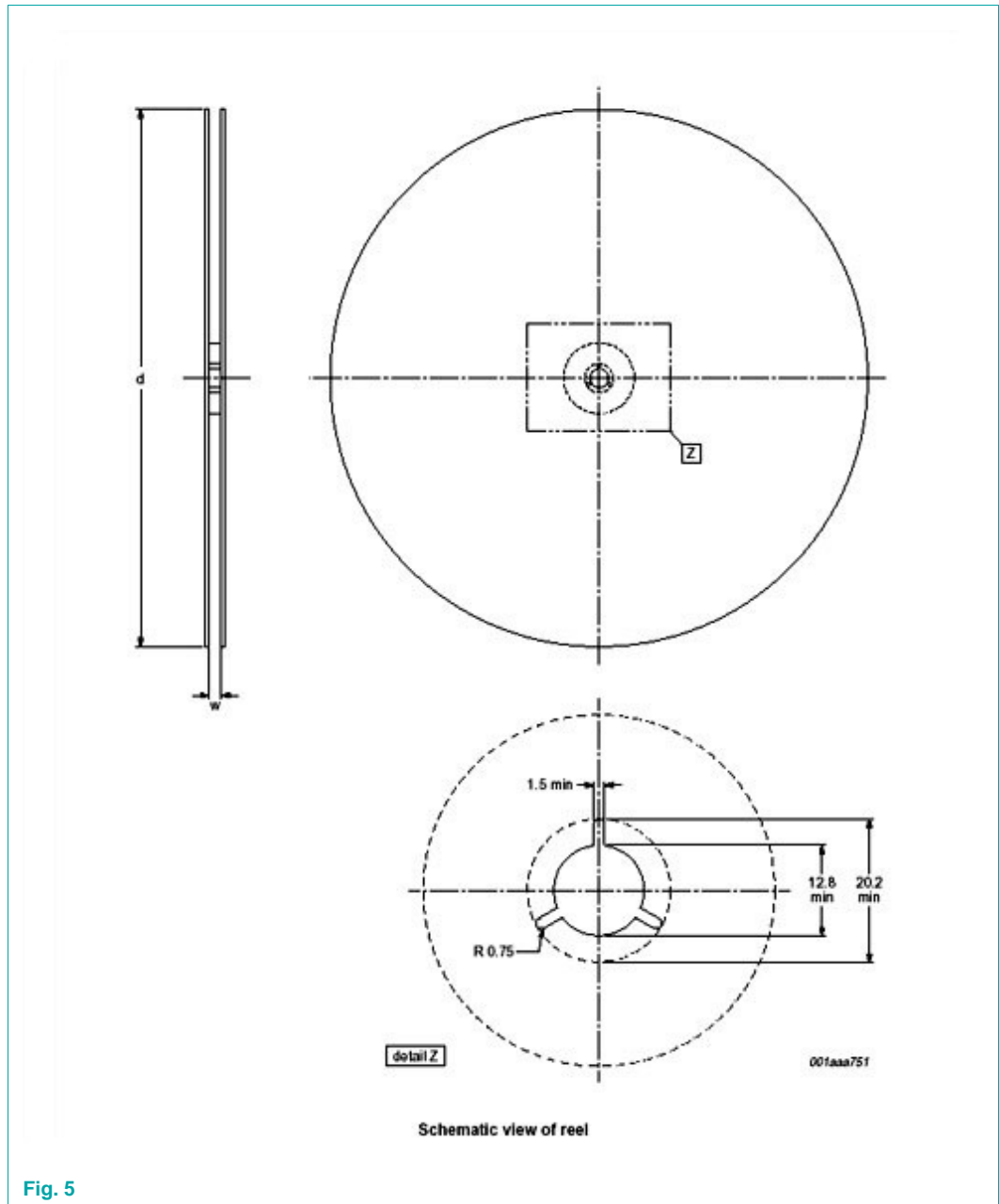


Fig. 5

Package version	12NC ending	Reel dimensions d x w (mm)	SPQ/PQ (pcs)
SOT833	115	180 x 8	5000

5. Barcode label tape and box information

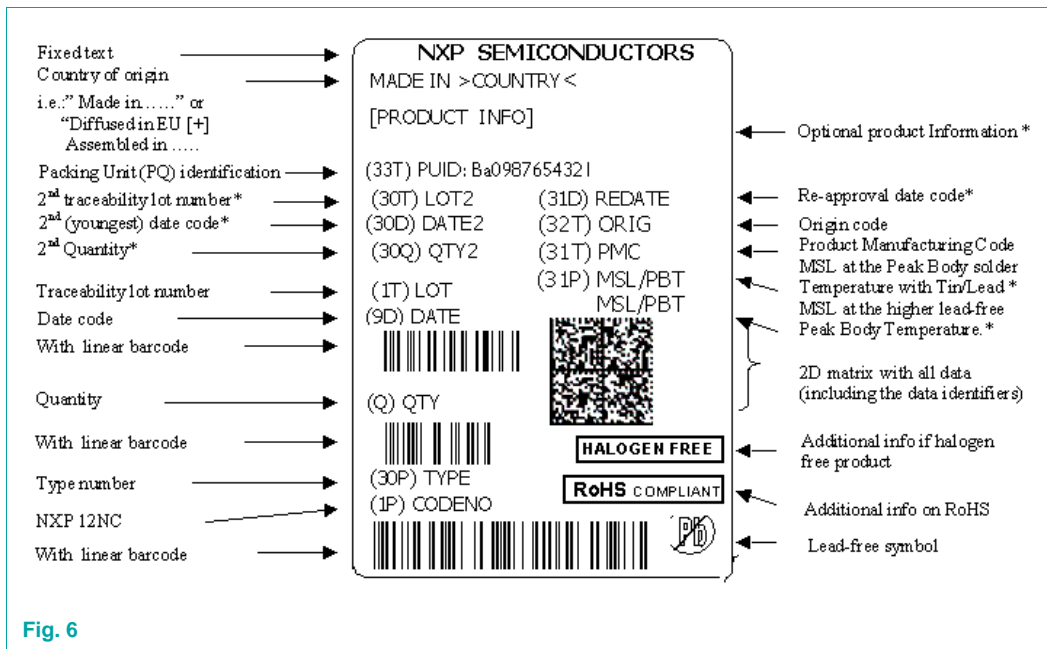


Fig. 6

Label dimensions

l x w (mm)

100 x 75