



# SOT137-1

SO24; Reel pack; SMD, 13"  
 Q1/T1 Standard product orientation  
 Orderable part number ending ,118 or J  
 Ordering code (12NC) ending 118

Rev. 4 — 12 April 2013

Packing information

## 1. Packing method

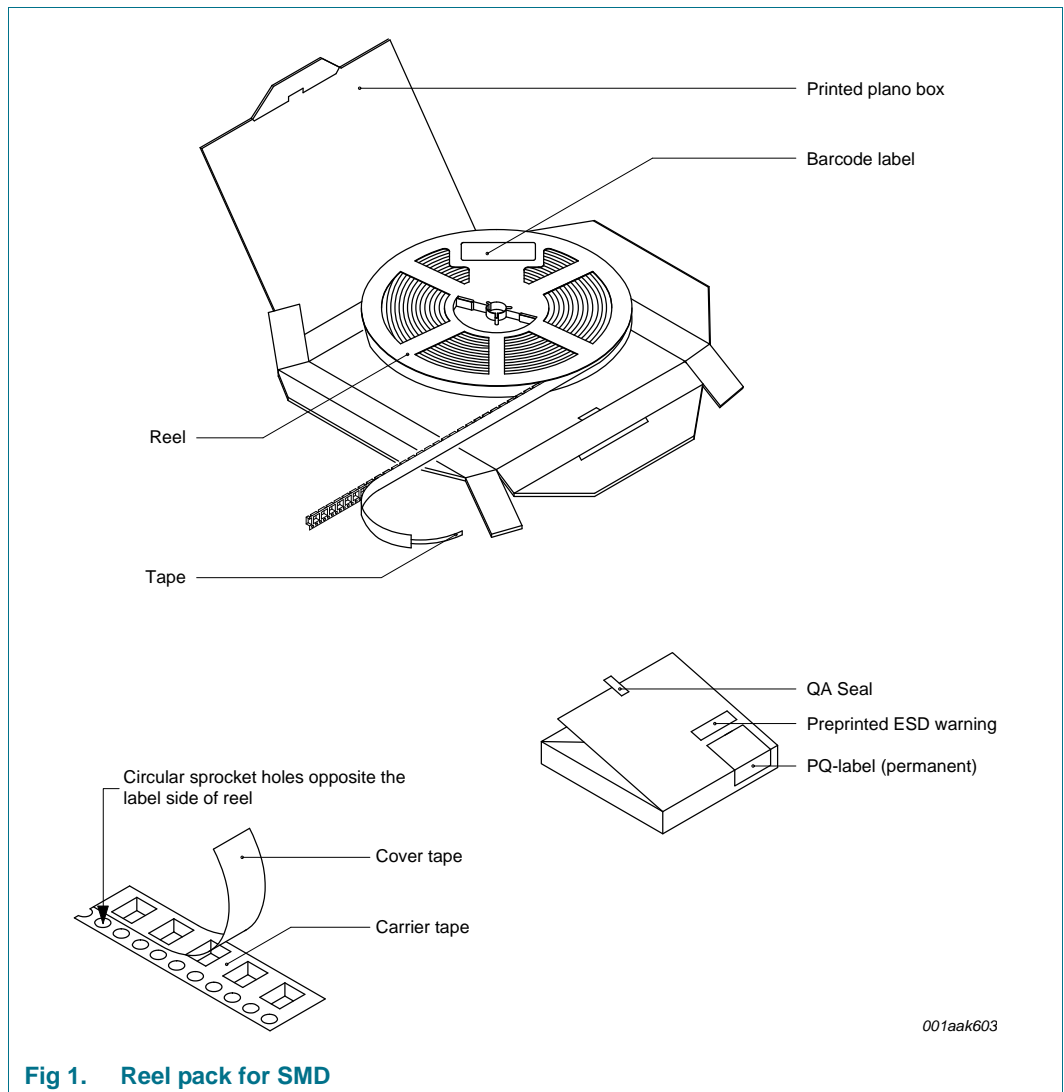


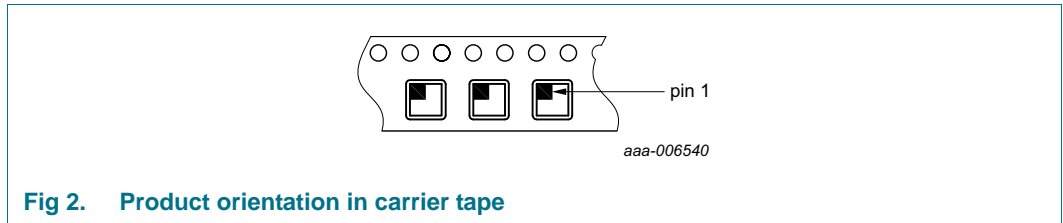
Fig 1. Reel pack for SMD

Table 1. Packing information

Reel dimensions d x w (mm)	SPQ/PQ (pcs)	Reels per box	Outer box dimensions l x w x h (mm)
330 x 24	1000	1	338 x 338 x 37

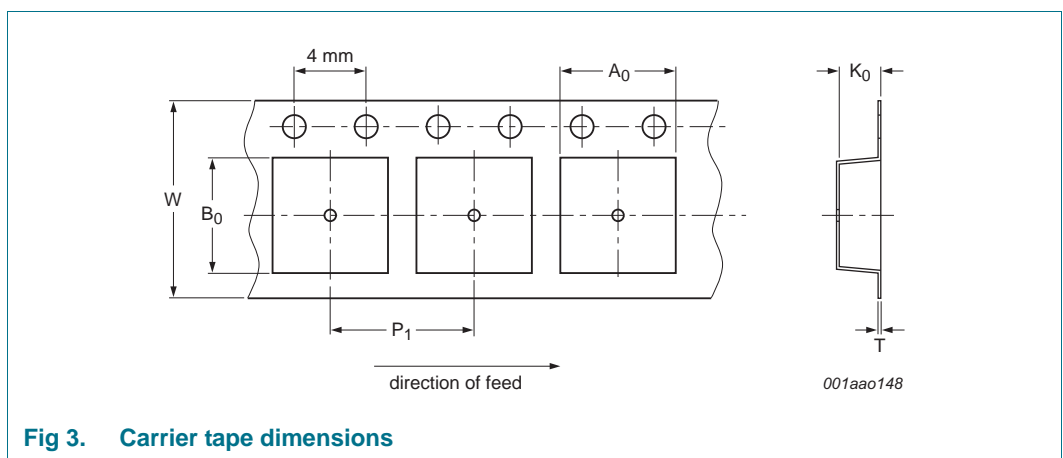


**2. Product orientation**



**Fig 2. Product orientation in carrier tape**

**3. Carrier tape dimensions**



**Fig 3. Carrier tape dimensions**

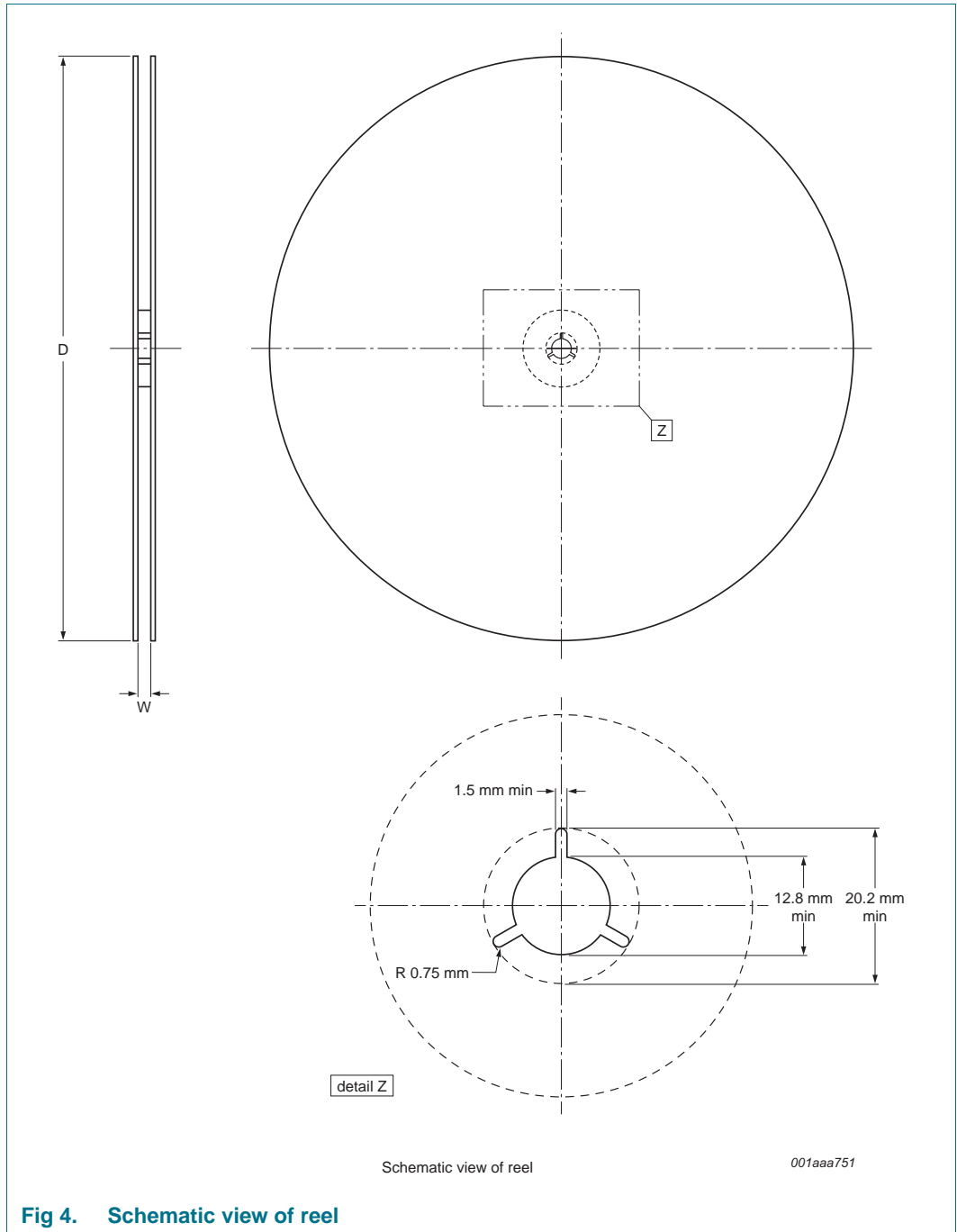
**Table 2. Carrier tape dimensions**

*In accordance with IEC 60286-3.*

A <sub>0</sub> (mm)	B <sub>0</sub> (mm)	K <sub>0</sub> (mm)	T (mm)	P <sub>1</sub> (mm)	W (mm)
10.85	15.65	3.2	-	12	24

SO24; Reel pack; SMD, 13"  
 Q1/T1 Standard product orientation  
 Orderable part number ending ,118 or J  
 Ordering code (12NC) ending 118

**4. Reel dimensions**



**Fig 4. Schematic view of reel**

**Table 3. Reel dimensions**  
 In accordance with IEC 60286-3.

D (mm)	W (mm)
330	24

5. Barcode label

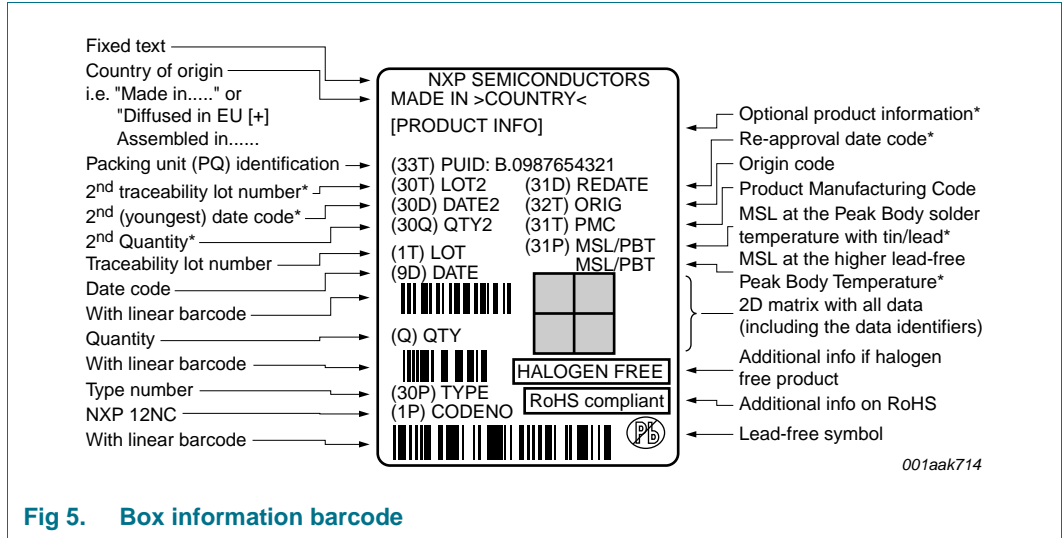


Fig 5. Box information barcode

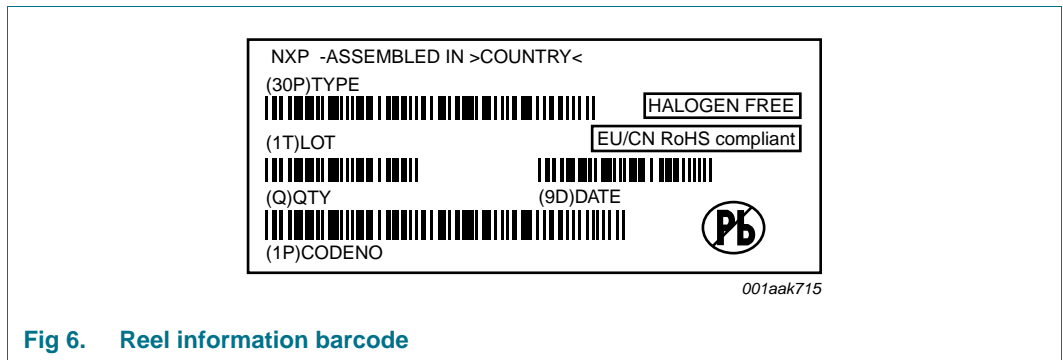


Fig 6. Reel information barcode

Table 4. Barcode dimensions

Box barcode label l x w (mm)	Reel barcode label l x w (mm)
100 x 75	35 x 75

Limited warranty and liability

Information in this document is believed to be accurate and reliable. However, NXP Semiconductors does not give any representations or warranties, expressed or implied, as to the accuracy or completeness of such information and shall have no liability for the consequences of use of such information.

© NXP B.V. 2013.

For more information, please visit: <http://www.nxp.com>  
 For sales office addresses, please send an email to: [salesaddresses@nxp.com](mailto:salesaddresses@nxp.com)

All rights reserved.

Date of release: 12 April 2013  
 Document identifier: SOT137-1\_118