

AN13815

Programming LPC800 Using USART ISP

Rev. 0 — 5 May 2023

Application note

Document Information

Information	Content
Keywords	AN13815, ISP, LPC553x, LPC800
Abstract	This document describes how to upgrade or program the LPC800 using USART ISP



1 Introduction

The LPC800 series offers a range of low-power, space-efficient, and low-pin-count options for basic microcontroller applications.

In some application scenarios, when the pins of the main processor are insufficient or other functions must be expanded, an LPC800 is an excellent solution. As shown in [Figure 1](#), the host MCU/MPU connects with LPC800 via USART, and LPC800 connects to and controls other I²C, SPI, and other components.

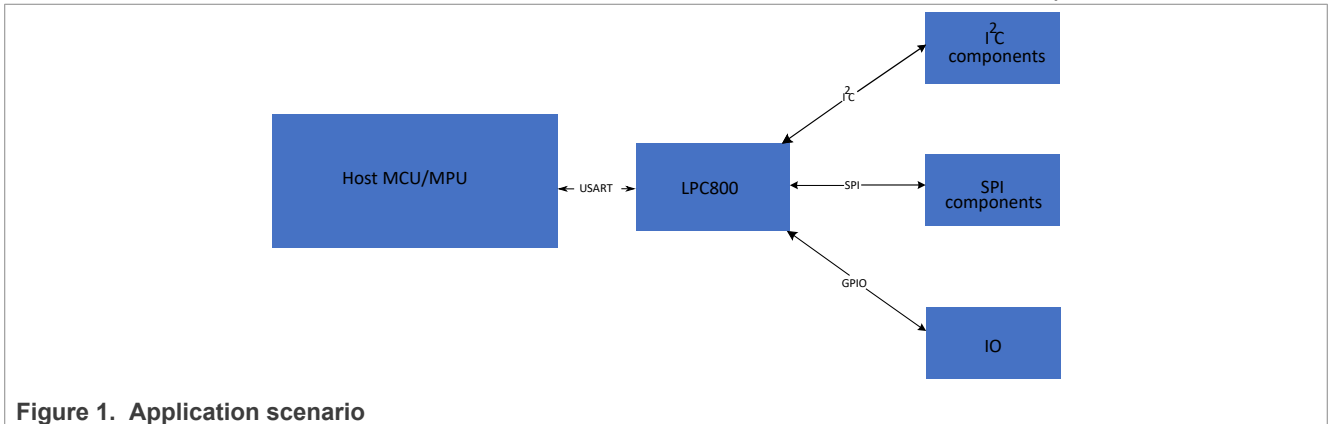


Figure 1. Application scenario

In addition to other functions, all LPC800 devices include ROM-based services for programming and reading flash memory. In-System Programming (ISP) works on an unprogrammed or previously programmed device using one from a selection of hardware interfaces.

This document introduces a way to program or upgrade LPC800 using USART ISP in the field.

2 LPC800 USART ISP

The ISP command handler accepts the commands listed in [Table 1](#). For further information, see the corresponding *LPC8xx User Manual*.

Table 1. ISP command

ISP Command	Usage
Unlock	U <unlock code>
Set baud rate	B <baud rate> <stop bit>
Echo	A <setting>
Write to RAM	W <start address> <number of bytes>
Read memory	R <address> <number of bytes>
Prepare sectors for write operation	P <start sector number> <end sector number>
Copy RAM to flash	C <flash address> <RAM address> <number of bytes>
Go	G <address> <mode>
Erase sector	E <start sector number> <end sector number>
Erase page	X <start page number> <end page number>
Blank check sector	I <start sector number> <end sector number>
Read Part ID	J
Read boot code version	K

Table 1. ISP command...continued

ISP Command	Usage
Compare	M <address1> <address2> <number of bytes>
Read UID	N
Read CRC checksum	S <address> <number of bytes>
Read flash signature	Z

All USART ISP commands must be sent as single ASCII strings. Strings must be terminated with Carriage Return (CR) and/or Line Feed (LF) control characters. Extra <CR> and <LF> characters are ignored. All ISP responses are sent as <CR><LF> terminated ASCII strings. Data is sent and received in plain binary format.

The host sends a '?' (0x3F) as a synchronization character and waits for a response. The host side serial port settings are 8 data bits, one stop bit, and no parity. The auto-baud routine programs the baud rate of the serial port generator by measuring the bit time of the received synchronization character in terms of its frequency. It also sends an ASCII string (Synchronized<CR><LF>) to the host. In response to this action, the host sends back the same string (Synchronized<CR><LF>).

The auto-baud routine looks at the received characters to verify synchronization. If synchronization is verified, the Synchronized<CR><LF>OK<CR><LF> string is sent to the host ("echo" is enabled by default). The host responds by sending the crystal frequency (in kHz) at which the part is running. The response is required for backward compatibility of the bootloader code and is ignored. The OK<CR><LF> string is sent to the host after receiving the crystal frequency. If synchronization is not verified, the auto-baud routine waits again for a synchronization character.

Once the crystal frequency is received, the part initializes, and the ISP command handler invokes. For safety reasons, an "Unlock" command is required before executing the commands resulting in flash erase/write operations and the "Go" command. The rest of the commands are executed without the unlock command. Execute the "Unlock" command once per ISP session.

3 ISP programming flow

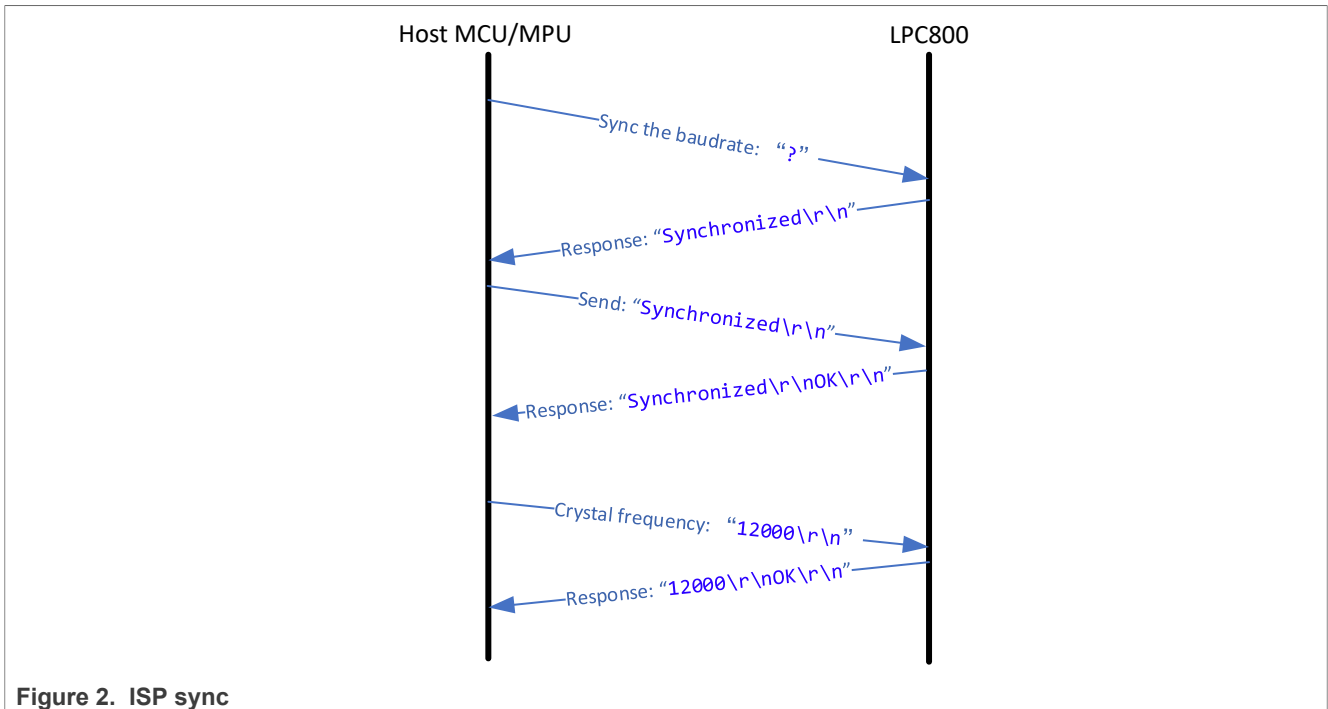
The host device requires several steps to communicate and program LPC800. In short, the host device requires synchronization with LPC800, then unlock the erase/program operation, erase the flash, and finally program the flash. The following sections use flowcharts to describe this process in further detail.

The flow shown in [Figure 2](#) provides only an example and should not be precisely adhered to. It can be adjusted suitably in practice to meet the requirements.

Note: The demo shown in [Figure 2](#) considers 64 kB flash LPC800 as an example. For different flash sizes of LPC800, it is necessary to modify the corresponding sector parameters.

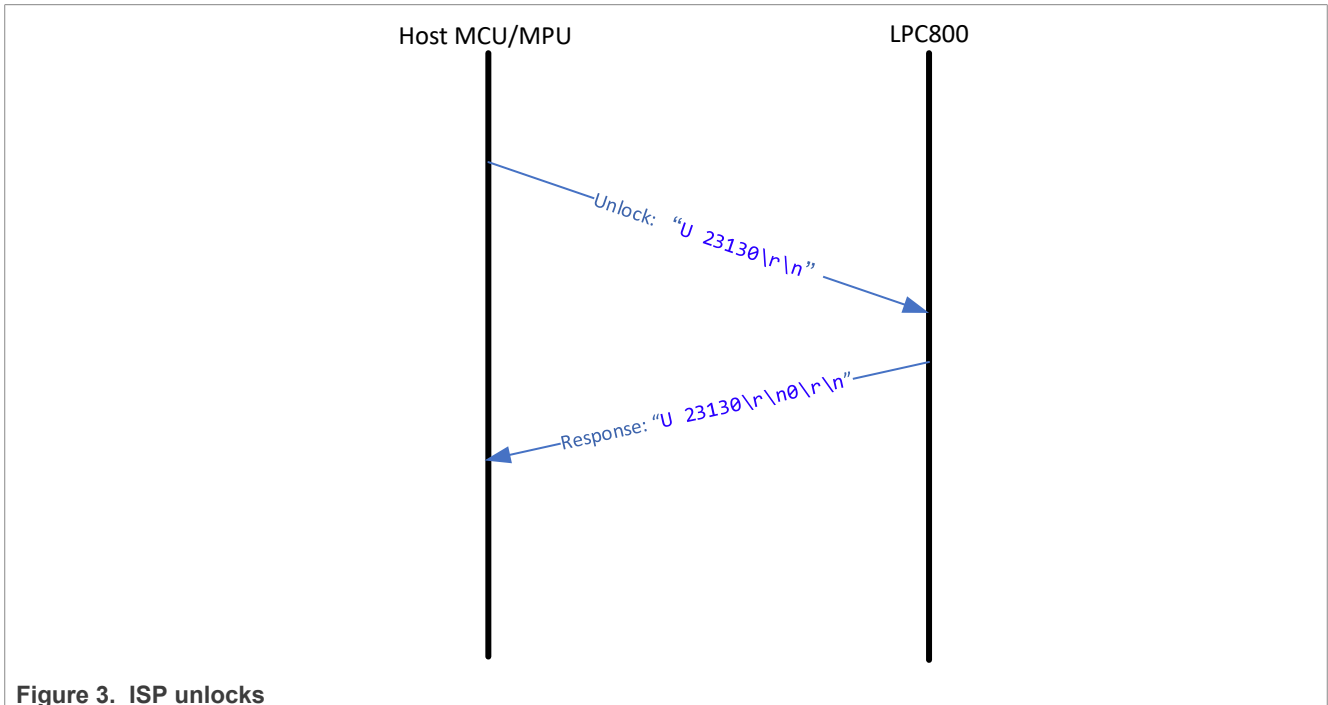
3.1 Synchronize

This command is used to synchronize the baud rate between host and LPC800 via USART.



3.2 Unlock

This command is used to unlock flash "Write", "Erase", and "Go" commands.



3.3 Erase and prepare the flash for programming

The P <Start Sector Number> <End Sector Number>\r\n is used to prepare sectors before erase and program.

The `E <Start Sector Number> <End Sector Number>\r\n` is used to erase one or more sectors of on-chip flash memory.

For subsequent flash programming operations, use the command `P <Start Sector Number> <End Sector Number>\r\n` to prepare the flash sectors again.

Note: The example in [Figure 4](#) performs a full chip erase.

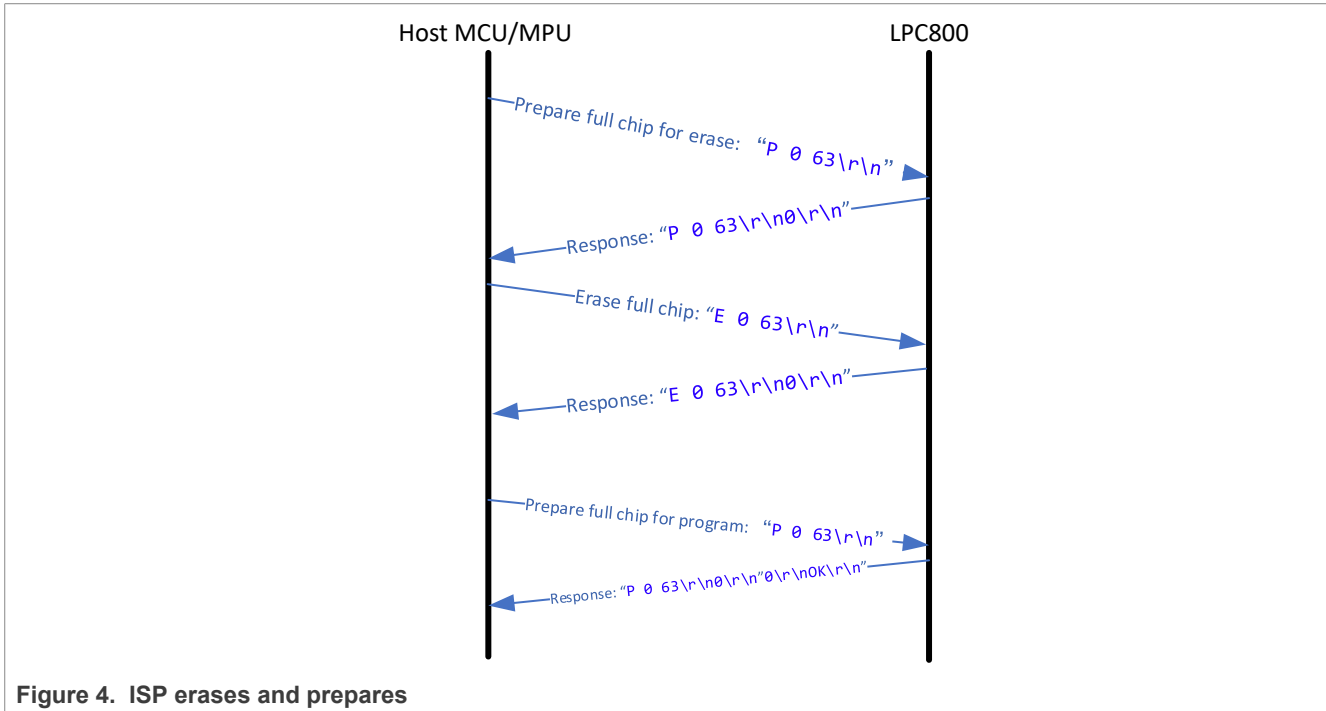


Figure 4. ISP erases and prepares

3.4 Disable the echo

The `A 0 \r\n` turns echo OFF. The default setting for echo command is ON. When ON, the ISP command handler sends the received serial data back to the host.

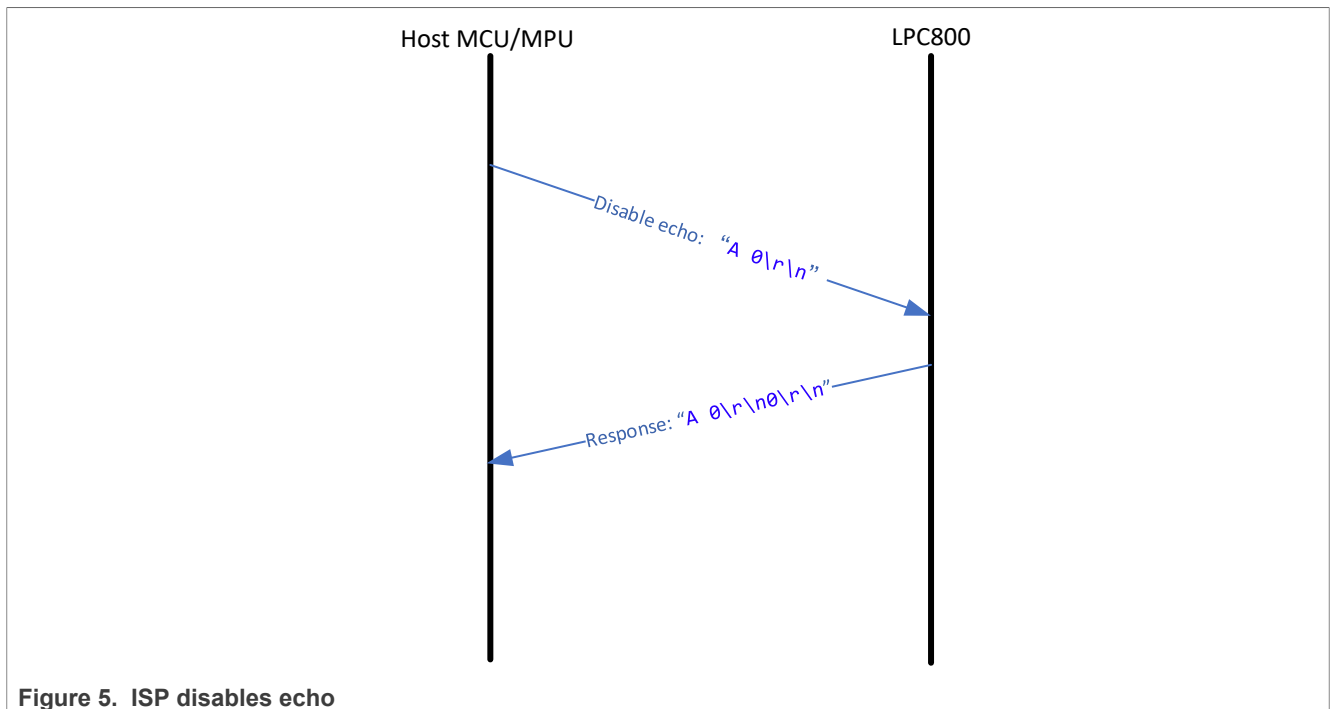


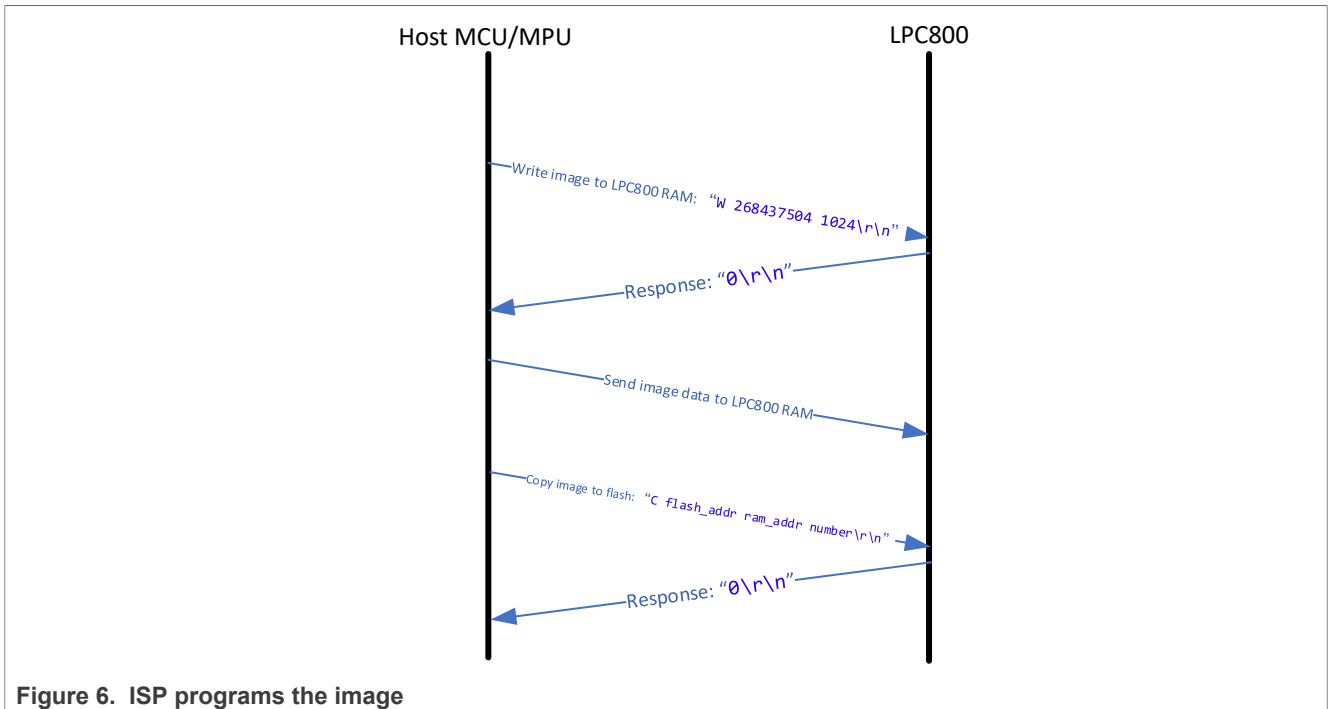
Figure 5. ISP disables echo

3.5 Program the image into flash

The `w <Start Address> <Number of Bytes>\r\n` is used to download data to RAM. After that, the host sends the plain binary code.

The `C <Flash address> <RAM address> <number of bytes>\r\n` is used to copy the content in RAM to the flash memory. Number of bytes to be written should be 64 | 128 | 256 | 512 | 1024. The destination address should be a 64 byte boundary.

This process must be repeated until the entire target image is downloaded.



4 Demonstration and example

This application note attaches a demo code that uses LPC55S36 EVK as the host device and LPCXpresso860-MAX board as the target MCU.

1. Import the demo example project to MCUXpresso IDE, compile, and then download into LPC55S36 EVK.
2. Open a serial terminal software. The default setting is 115200/8/1/N.
3. Connect LPC55S36 EVK and LPCXpresso860-MAX board as shown in [Table 2](#).

Table 2. Board-to-board connection

LPC55S36 EVK	LPCXpresso860-MAX board
J7-3(P1_24 FC2 RX)	J2-4(P0_25 ISP TX)
J7-4(P1_25 FC2 TX)	J2-2(P0_24 ISP RX)
J7-8(GND)	J1-14(GND)

Note: The power supply voltage of LPC55S36 and LPC86x must be the same, that is, 3.3 V.

Use the buttons on the board to force the chip into ISP mode because the LPCXpresso860-MAX board does not lead out ISP pins.

To force LPC86x into ISP mode, follow the steps below:

- a. Press **ISP** and **RESET** buttons at the same time.
 - b. Release the **RESET** button.
 - c. Release the **ISP** button.
4. To erase or program the device, follow the log in the terminal as shown in [Figure 7](#).

```
Please make sure LPC800 has entered ISP mode!!  
Please input a character to erase or program LPC800, 'E' means erase  
only, other character means erase and program:  
1  
image size is 4072, aligned size is 4096  
Programming is complete, please re-enter ISP mode for further operation!
```

Figure 7. Terminal

5 Revision history

The [Table 3](#) lists the substantive changes done to this document since the initial release.

Table 3. Revision history

Revision number	Date	Substantive changes
0	05 May 2023	Initial release

6 Legal information

6.1 Definitions

Draft — A draft status on a document indicates that the content is still under internal review and subject to formal approval, which may result in modifications or additions. NXP Semiconductors does not give any representations or warranties as to the accuracy or completeness of information included in a draft version of a document and shall have no liability for the consequences of use of such information.

6.2 Disclaimers

Limited warranty and liability — Information in this document is believed to be accurate and reliable. However, NXP Semiconductors does not give any representations or warranties, expressed or implied, as to the accuracy or completeness of such information and shall have no liability for the consequences of use of such information. NXP Semiconductors takes no responsibility for the content in this document if provided by an information source outside of NXP Semiconductors.

In no event shall NXP Semiconductors be liable for any indirect, incidental, punitive, special or consequential damages (including - without limitation - lost profits, lost savings, business interruption, costs related to the removal or replacement of any products or rework charges) whether or not such damages are based on tort (including negligence), warranty, breach of contract or any other legal theory.

Notwithstanding any damages that customer might incur for any reason whatsoever, NXP Semiconductors' aggregate and cumulative liability towards customer for the products described herein shall be limited in accordance with the Terms and conditions of commercial sale of NXP Semiconductors.

Right to make changes — NXP Semiconductors reserves the right to make changes to information published in this document, including without limitation specifications and product descriptions, at any time and without notice. This document supersedes and replaces all information supplied prior to the publication hereof.

Suitability for use — NXP Semiconductors products are not designed, authorized or warranted to be suitable for use in life support, life-critical or safety-critical systems or equipment, nor in applications where failure or malfunction of an NXP Semiconductors product can reasonably be expected to result in personal injury, death or severe property or environmental damage. NXP Semiconductors and its suppliers accept no liability for inclusion and/or use of NXP Semiconductors products in such equipment or applications and therefore such inclusion and/or use is at the customer's own risk.

Applications — Applications that are described herein for any of these products are for illustrative purposes only. NXP Semiconductors makes no representation or warranty that such applications will be suitable for the specified use without further testing or modification.

Customers are responsible for the design and operation of their applications and products using NXP Semiconductors products, and NXP Semiconductors accepts no liability for any assistance with applications or customer product design. It is customer's sole responsibility to determine whether the NXP Semiconductors product is suitable and fit for the customer's applications and products planned, as well as for the planned application and use of customer's third party customer(s). Customers should provide appropriate design and operating safeguards to minimize the risks associated with their applications and products.

NXP Semiconductors does not accept any liability related to any default, damage, costs or problem which is based on any weakness or default in the customer's applications or products, or the application or use by customer's third party customer(s). Customer is responsible for doing all necessary testing for the customer's applications and products using NXP Semiconductors products in order to avoid a default of the applications and the products or of the application or use by customer's third party customer(s). NXP does not accept any liability in this respect.

Terms and conditions of commercial sale — NXP Semiconductors products are sold subject to the general terms and conditions of commercial sale, as published at <http://www.nxp.com/profile/terms>, unless otherwise agreed in a valid written individual agreement. In case an individual agreement is concluded only the terms and conditions of the respective agreement shall apply. NXP Semiconductors hereby expressly objects to applying the customer's general terms and conditions with regard to the purchase of NXP Semiconductors products by customer.

Export control — This document as well as the item(s) described herein may be subject to export control regulations. Export might require a prior authorization from competent authorities.

Suitability for use in non-automotive qualified products — Unless this data sheet expressly states that this specific NXP Semiconductors product is automotive qualified, the product is not suitable for automotive use. It is neither qualified nor tested in accordance with automotive testing or application requirements. NXP Semiconductors accepts no liability for inclusion and/or use of non-automotive qualified products in automotive equipment or applications.

In the event that customer uses the product for design-in and use in automotive applications to automotive specifications and standards, customer (a) shall use the product without NXP Semiconductors' warranty of the product for such automotive applications, use and specifications, and (b) whenever customer uses the product for automotive applications beyond NXP Semiconductors' specifications such use shall be solely at customer's own risk, and (c) customer fully indemnifies NXP Semiconductors for any liability, damages or failed product claims resulting from customer design and use of the product for automotive applications beyond NXP Semiconductors' standard warranty and NXP Semiconductors' product specifications.

Translations — A non-English (translated) version of a document, including the legal information in that document, is for reference only. The English version shall prevail in case of any discrepancy between the translated and English versions.

Security — Customer understands that all NXP products may be subject to unidentified vulnerabilities or may support established security standards or specifications with known limitations. Customer is responsible for the design and operation of its applications and products throughout their lifecycles to reduce the effect of these vulnerabilities on customer's applications and products. Customer's responsibility also extends to other open and/or proprietary technologies supported by NXP products for use in customer's applications. NXP accepts no liability for any vulnerability. Customer should regularly check security updates from NXP and follow up appropriately. Customer shall select products with security features that best meet rules, regulations, and standards of the intended application and make the ultimate design decisions regarding its products and is solely responsible for compliance with all legal, regulatory, and security related requirements concerning its products, regardless of any information or support that may be provided by NXP.

NXP has a Product Security Incident Response Team (PSIRT) (reachable at PSIRT@nxp.com) that manages the investigation, reporting, and solution release to security vulnerabilities of NXP products.

NXP B.V. - NXP B.V. is not an operating company and it does not distribute or sell products.

6.3 Trademarks

Notice: All referenced brands, product names, service names, and trademarks are the property of their respective owners.

NXP — wordmark and logo are trademarks of NXP B.V.

Contents

1	Introduction	2
2	LPC800 USART ISP	2
3	ISP programming flow	3
3.1	Synchronize	3
3.2	Unlock	4
3.3	Erase and prepare the flash for programming	4
3.4	Disable the echo	5
3.5	Program the image into flash	6
4	Demonstration and example	7
5	Revision history	8
6	Legal information	9

Please be aware that important notices concerning this document and the product(s) described herein, have been included in section 'Legal information'.

© 2023 NXP B.V.

All rights reserved.

For more information, please visit: <http://www.nxp.com>

Date of release: 5 May 2023
Document identifier: AN13815