



P2041 QorIQ® Development Board

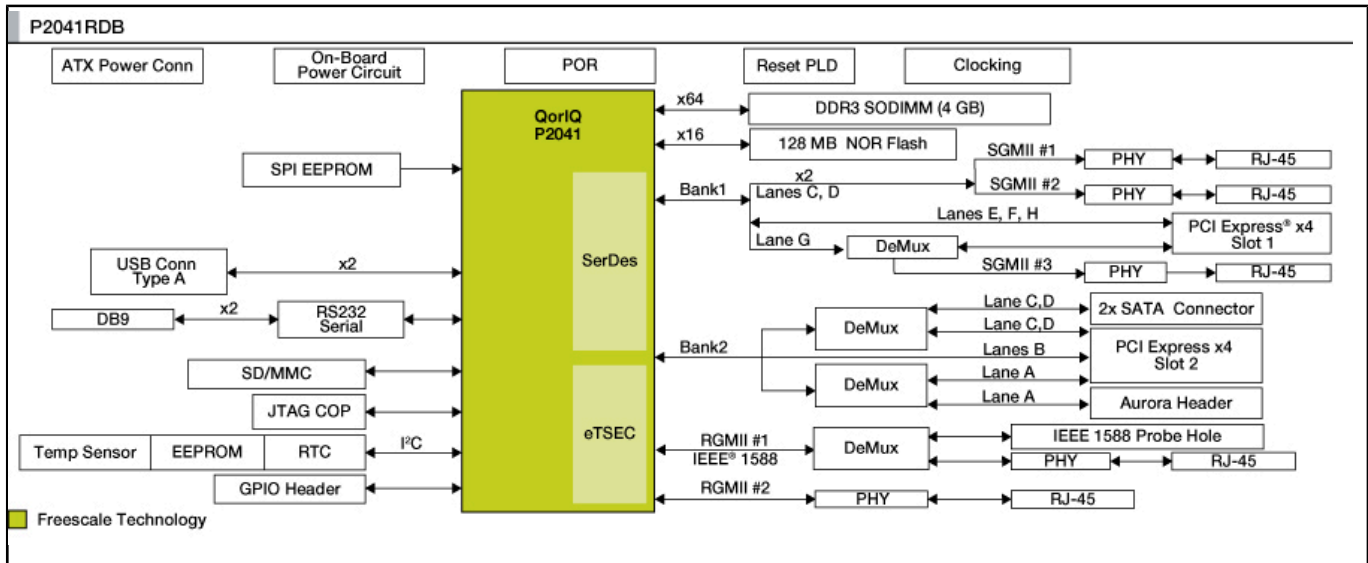
RDP2041BOARD

Last Updated: Sep 28, 2023

The NXP® P2041RDB is a compact (micro-ATX), highly integrated reference design board featuring the quad-core P2041 device.

The board, with its 1.5 GHz P2041 and rich I/O mix is intended for evaluation of P2041 and P2040 in networking and Ethernet-centric applications, such as control plane and mixed control plane/data plane in switches and routers, unified threat management, base station network interface and baseband cards, aerospace and defense, multifunction printers, factory automation and more.

RDP2041BOARD BD Block Diagram



View additional information for [P2041 QorIQ® Development Board](#).

Note: The information on this document is subject to change without notice.

www.nxp.com

NXP and the NXP logo are trademarks of NXP B.V. All other product or service names are the property of their respective owners. The related technology may be protected by any or all of patents, copyrights, designs and trade secrets. All rights reserved. © 2024 NXP B.V.