



QorIQ® P2040/P2041 Multicore Communications Processors with Data Path

P2040

新規採用非推奨

このページでは、新規設計を推奨しない製品に関する情報を掲載しています。

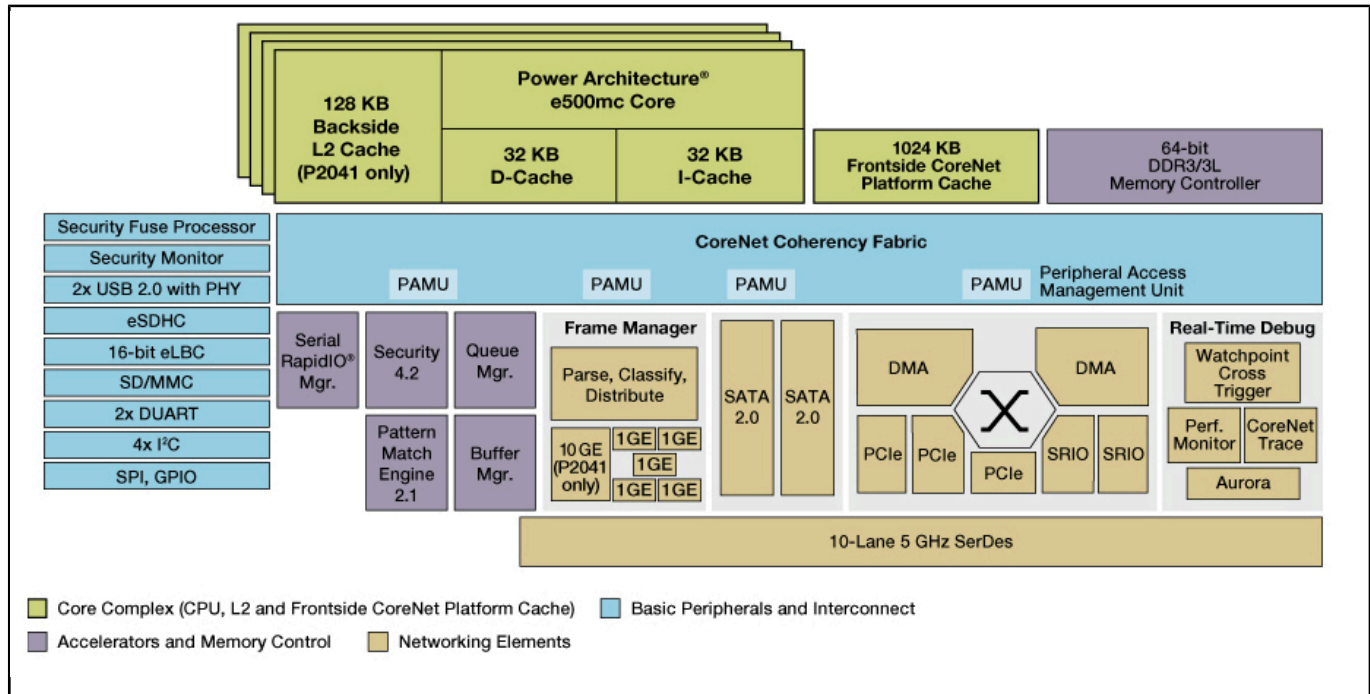
Last Updated: Oct 17, 2022

P2040 device is "Not recommended for new designs", please use the replacement families Power Architecture (T1040 ,T1042, T208x), Arm Architecture (LS1046).

The QorIQ® P2040 and P2041 quad-core processors bring high-end architectural features pioneered in the P4 platform into the low-end and mid-range quad-core space.

They are software-compatible with members of the P1 family and all devices in the P3, P4 and P5 families. This enables customers to scale software up and down the QorIQ product line. The P2040 and P2041 are pin-compatible, sharing a 23 x 23 mm package.

NXP QorIQ P2040 Communication Processor Block Diagram Block Diagram



View additional information for [QorIQ® P2040/P2041 Multicore Communications Processors with Data Path](#).

Note: The information on this document is subject to change without notice.

www.nxp.com

NXP and the NXP logo are trademarks of NXP B.V. All other product or service names are the property of their respective owners. The related technology may be protected by any or all of patents, copyrights, designs and trade secrets. All rights reserved. © 2024 NXP B.V.