



Quad LIN Commander Transceiver for In-Vehicle Subnetworks

TJA1124

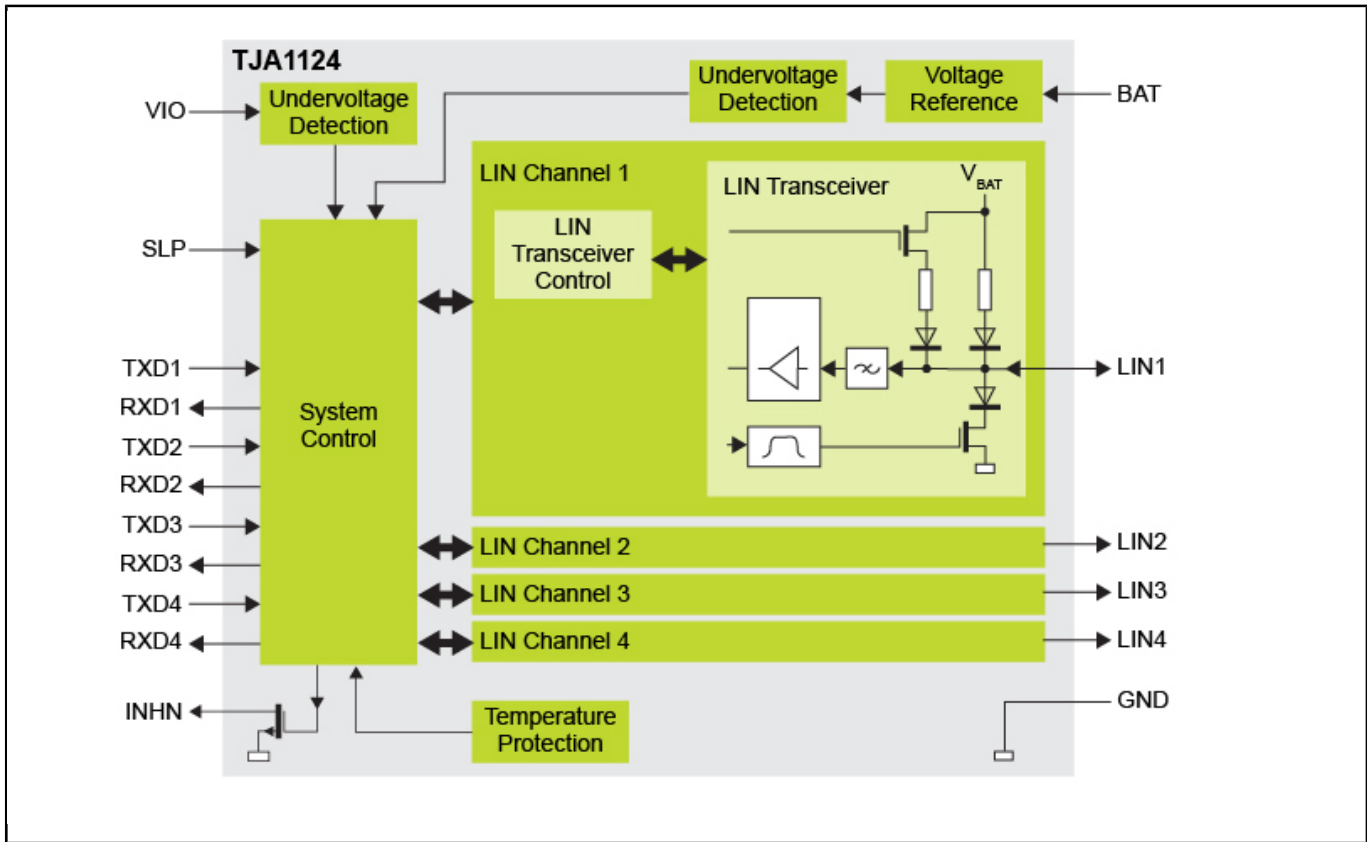
Last Updated: Jul 20, 2023

The TJA1124 is a quad local interconnect network (LIN) commander channel device. It provides the interface between a LIN commander protocol controller and the physical bus in a LIN network. Each of the four channels contains a LIN transceiver and LIN commander termination.

The TJA1124 is primarily intended for in-vehicle sub-networks using baud rates up to 20 kBd and is compliant with LIN 2.0, LIN 2.1, LIN 2.2, LIN 2.2A, ISO 17987-4:2016 (12 V LIN) and SAE J2602-1.

Power consumption is very low in low power mode. However, the TJA1124 can still be woken up via pins SLP and LIN1 to LIN4.

TJA1124 Block Diagram Block Diagram



View additional information for [Quad LIN Commander Transceiver for In-Vehicle Subnetworks](#).

Note: The information on this document is subject to change without notice.

www.nxp.com

NXP and the NXP logo are trademarks of NXP B.V. All other product or service names are the property of their respective owners. The related technology may be protected by any or all of patents, copyrights, designs and trade secrets. All rights reserved. © 2024 NXP B.V.