



FlexRay™ Node Transceiver – Clamp 30

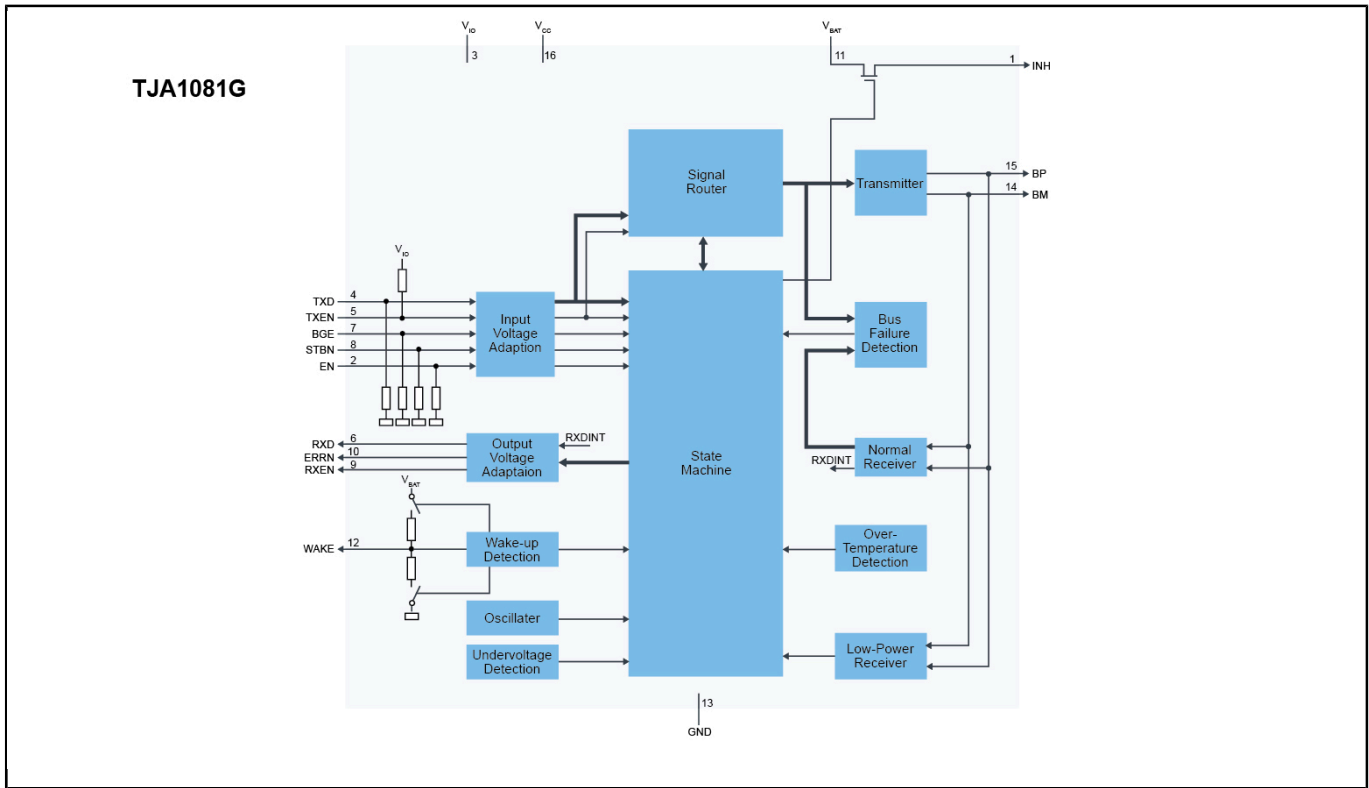
TJA1081G

Last Updated: Jul 20, 2023

The TJA1081G FlexRay™ node transceiver is compliant with the FlexRay Electrical Physical Layer specification ISO 17458-4:2013. The TJA1081G is a Clamp 30 transceiver, optimized for applications that are permanently connection to the car battery. It is primarily intended for communication systems operating at between 2.5 Mbit/s and 10 Mbit/s and provides an advanced interface between the protocol controller and the physical bus in a FlexRay network.

- Offers an optimized solution for electronic control unit (ECU) applications that are permanently connected to the battery.
- Provides a differential transmit capability to the network and a differential receive capability to the FlexRay controller. It offers excellent electromagnetic compatibility (EMC) performance as well as high electrostatic discharge (ESD) protection.

TJA1081G Block Diagram Block Diagram



View additional information for [FlexRay™ Node Transceiver - Clamp 30](#).

Note: The information on this document is subject to change without notice.

www.nxp.com

NXP and the NXP logo are trademarks of NXP B.V. All other product or service names are the property of their respective owners. The related technology may be protected by any or all of patents, copyrights, designs and trade secrets. All rights reserved. © 2024 NXP B.V.