



S32G Vehicle Network Processing Evaluation Board 3

S32G-VNP-EVB3

Last Updated: Sep 21, 2023

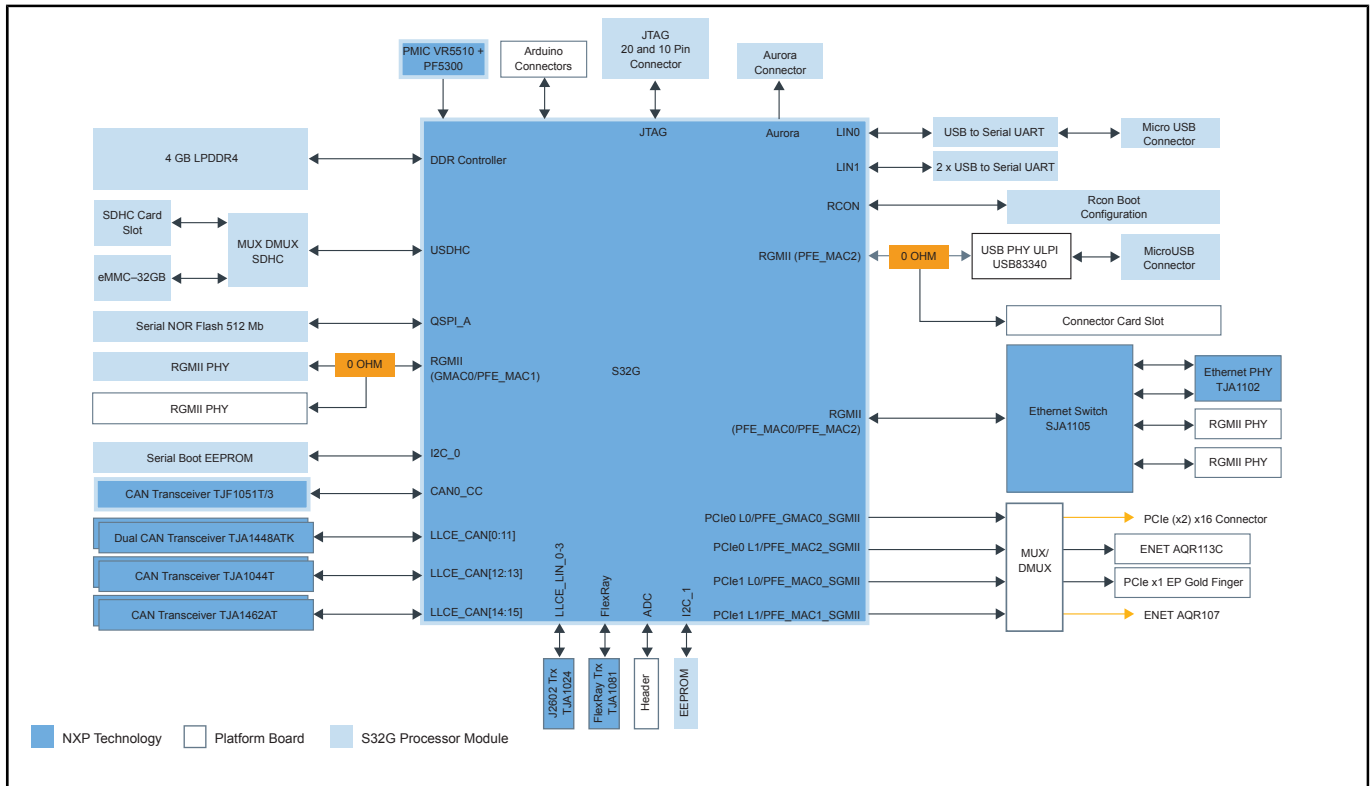
Please contact your regional sales representative or distributor for further information regarding the availability of this product.

The S32G-VNP-EVB3 is an evaluation and development board engineered for developing vehicle network processing applications, such as vehicle computers, service-oriented gateways and domain controllers.

Based on S32G2 and S32G3 processors for vehicle networking, the S32G-VNP-EVB3 offers a combination of automotive and enterprise networking technology with a wealth of interfaces (CAN/LIN/FlexRay/Ethernet) for vehicle networks, in addition to substantial safe compute performance.

The S32G-VNP-EVB3 includes peripheral devices with PCI Express and USB interfaces that can be leveraged by OEMs, Tier 1s and software ecosystem partners to shorten time to market.

S32G Vehicle Network Processing Evaluation Board 3 Block Diagram



View additional information for [S32G Vehicle Network Processing Evaluation Board 3](#).

Note: The information on this document is subject to change without notice.

www.nxp.com

NXP and the NXP logo are trademarks of NXP B.V. All other product or service names are the property of their respective owners. The related technology may be protected by any or all of patents, copyrights, designs and trade secrets. All rights reserved. © 2024 NXP B.V.