



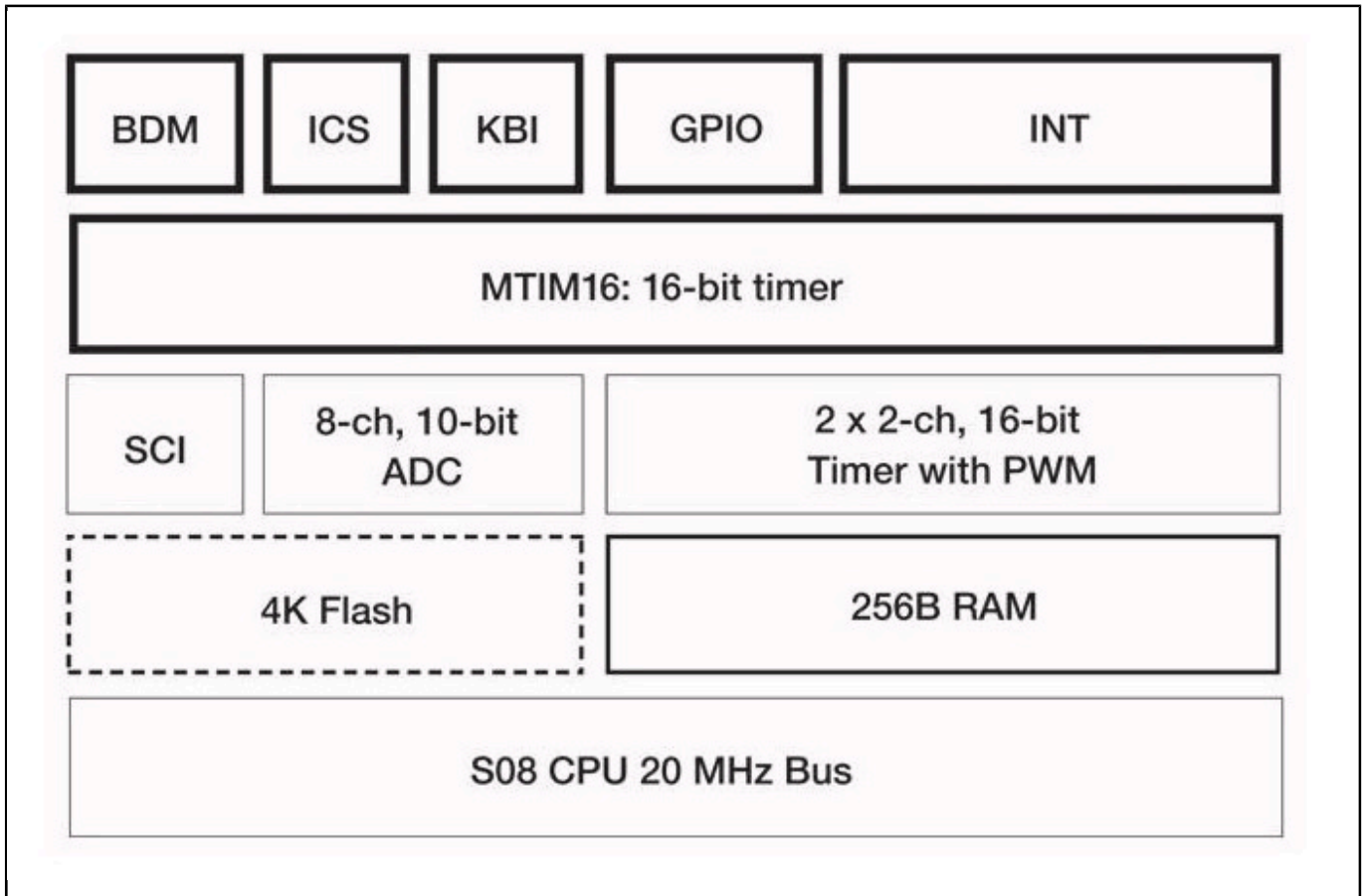
8-bit C4 Small Package SC4 MCUs

S08SC4

Last Updated: Dec 26, 2023

Our S08SC4 is a feature reduced version of the 8-bit S08SG4. Simplicity, small footprint, high performance and aggressive pricing make the S08SC4 the ideal solution for cost-sensitive and space constrained body applications. Low cost, improved quality and smaller board space are achieved with on-chip components that eliminate the need for an external crystal, LVI circuit, voltage regulator, I/O mux, watchdog circuit and analog-to-digital converter (ADC). The SC4 is available in a 16-pin TSSOP package and is pin and software compatible with the S08SG family, which allows customers to easily migrate to other devices as their needs grow.

NXP S08SC4 Microcontroller Block Diagram Block Diagram



View additional information for [8-bit C4 Small Package SC4 MCUs](#).

Note: The information on this document is subject to change without notice.

www.nxp.com

NXP and the NXP logo are trademarks of NXP B.V. All other product or service names are the property of their respective owners. The related technology may be protected by any or all of patents, copyrights, designs and trade secrets. All rights reserved. © 2024 NXP B.V.