



S32K358 Battery Management Unit (BMU) for High Voltage Battery Management System (HVBMS) Reference Design Board

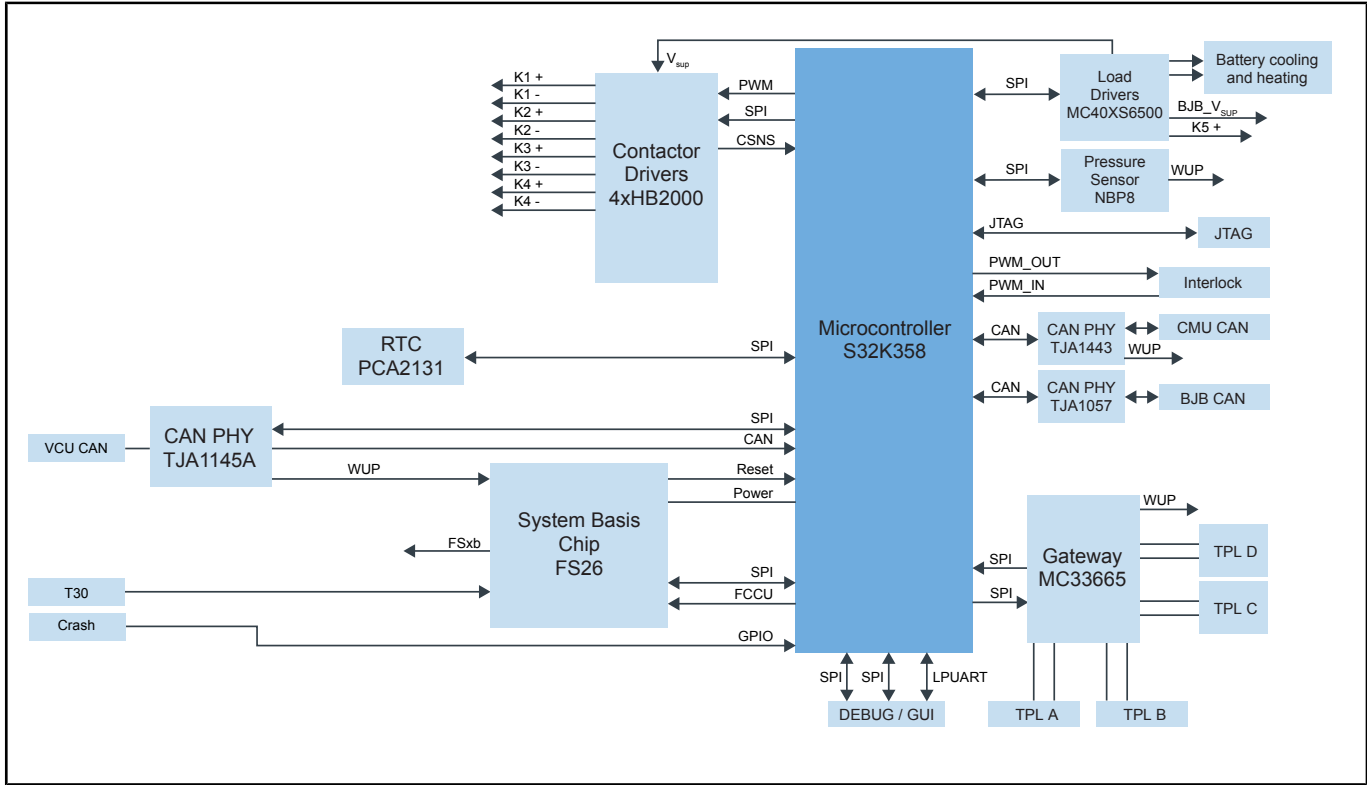
RD-K358BMU

Last Updated: May 24, 2023

The RD-K358BMU is a reference battery management unit (BMU) for development purposes. It is meant for rapid prototyping of a 800 V high-voltage battery management system ([HVBMS](#)) hardware and software. This board contains several NXP devices including [S32K358](#), [FS26](#), [MC33665A](#), [HB2000](#), [TJA1145A](#), [PCA2131](#), [NBP8](#) and [MC40XS6500](#).

This board is part of the [RD-HVBMSCT800BUN](#) reference design bundle using ETPL.

HVBMS 800 V Battery Management Unit with S32K358 - RD-K358BMU Block Diagram



View additional information for [S32K358 Battery Management Unit \(BMU\) for High Voltage Battery Management System \(HVBMS\) Reference Design Board](#).

Note: The information on this document is subject to change without notice.

www.nxp.com

NXP and the NXP logo are trademarks of NXP B.V. All other product or service names are the property of their respective owners. The related technology may be protected by any or all of patents, copyrights, designs and trade secrets. All rights reserved. © 2024 NXP B.V.