



# LCD Drivers

## PCF21XXC\_FAMILY

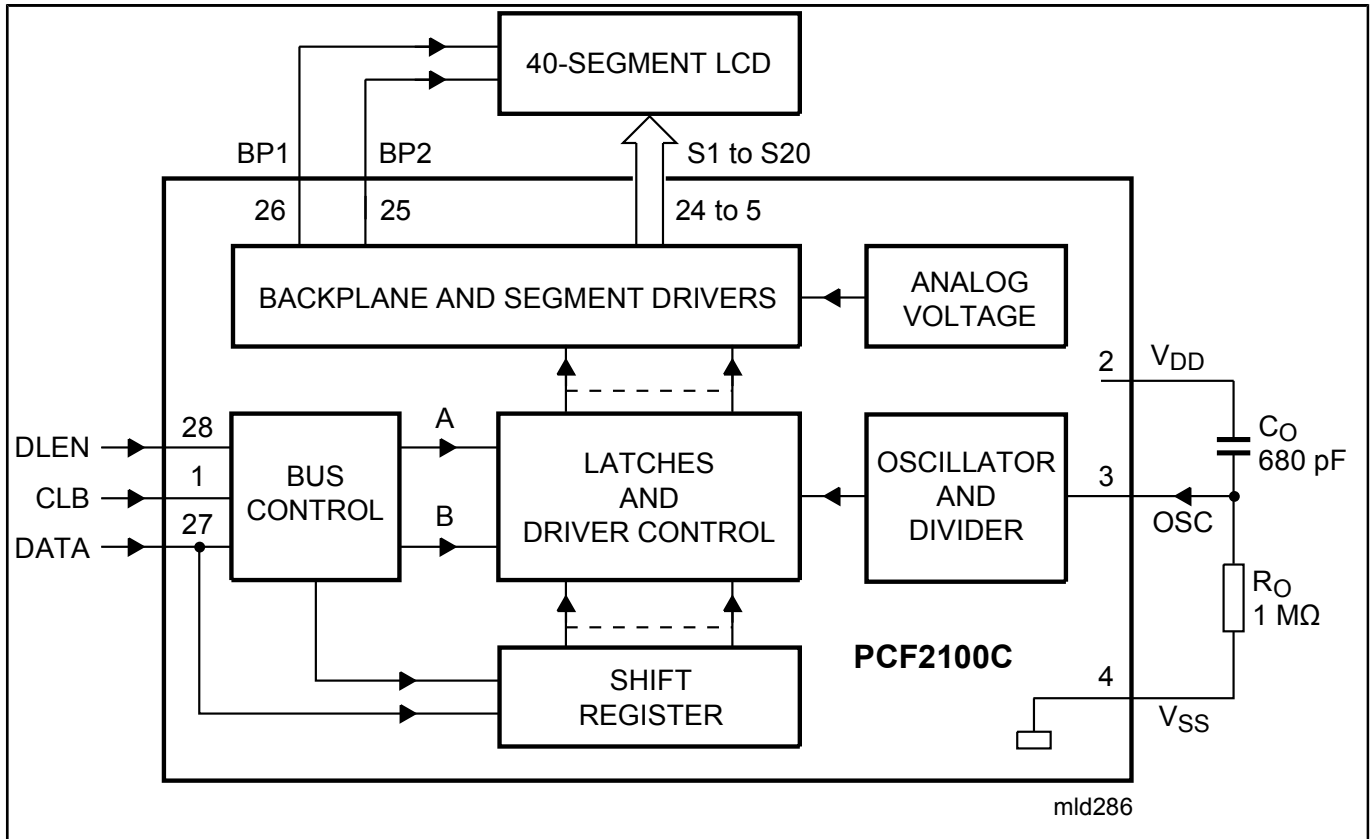
### **Not Recommended for New Designs**

This page contains information on a product that is not recommended for new designs.

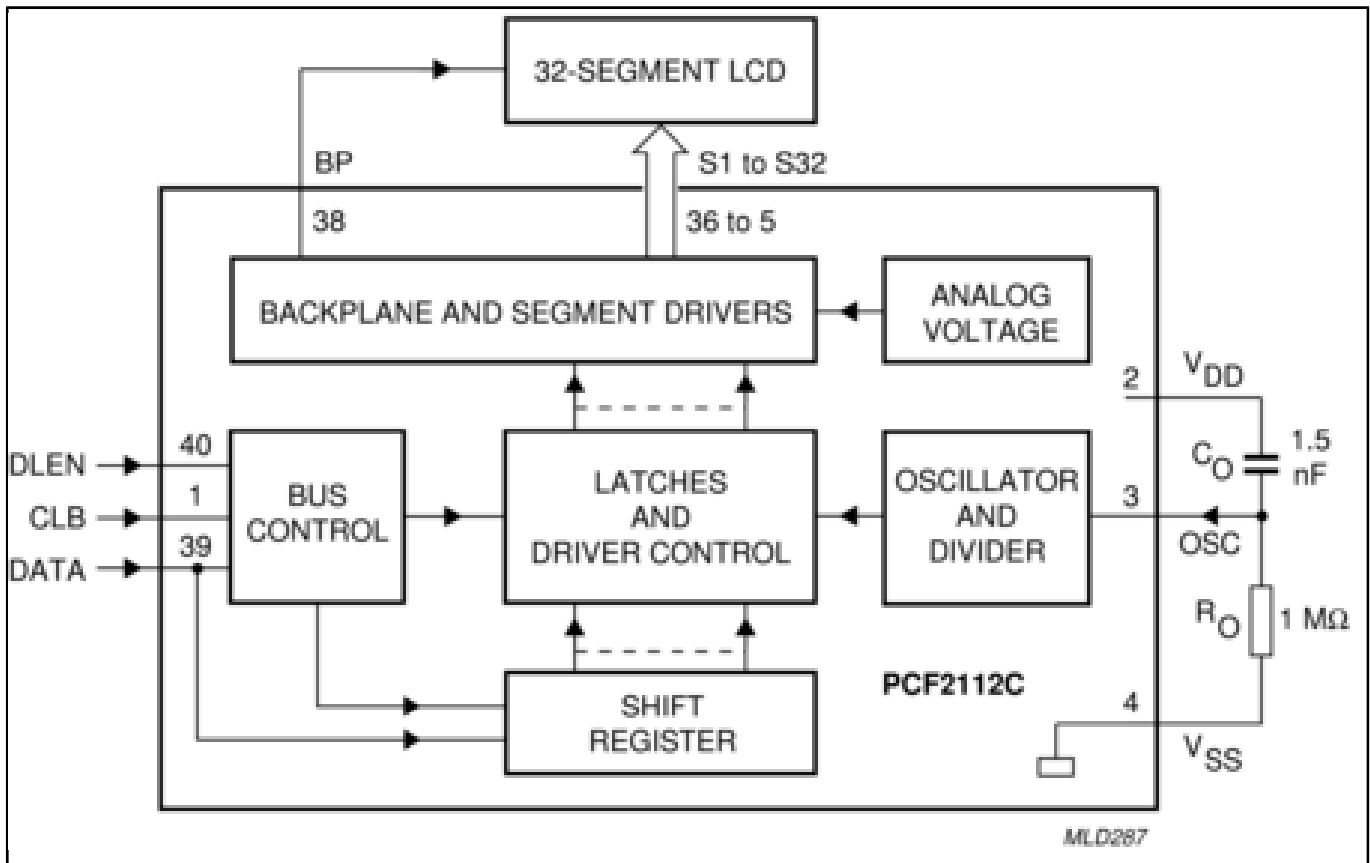
Last Updated: Oct 13, 2023

The PCF21xxC family are single-chip, silicon gate CMOS LCD driver circuits. A 3-line bus (CBUS) structure enables serial data transfer with microcontrollers.

**PCF21XXC\_FAM Block Diagram Block Diagram**



**Block diagram: PCF2100CT, PCF2111CT, PCF2112CP, PCF2112CT Block Diagram**





View additional information for [LCD Drivers](#).

**Note:** The information on this document is subject to change without notice.

---

**[www.nxp.com](http://www.nxp.com)**

NXP and the NXP logo are trademarks of NXP B.V. All other product or service names are the property of their respective owners. The related technology may be protected by any or all of patents, copyrights, designs and trade secrets. All rights reserved. © 2024 NXP B.V.