



Dual-Supply 1-of-2 VGA Switch

NX5DV715HF

Not Recommended for New Designs

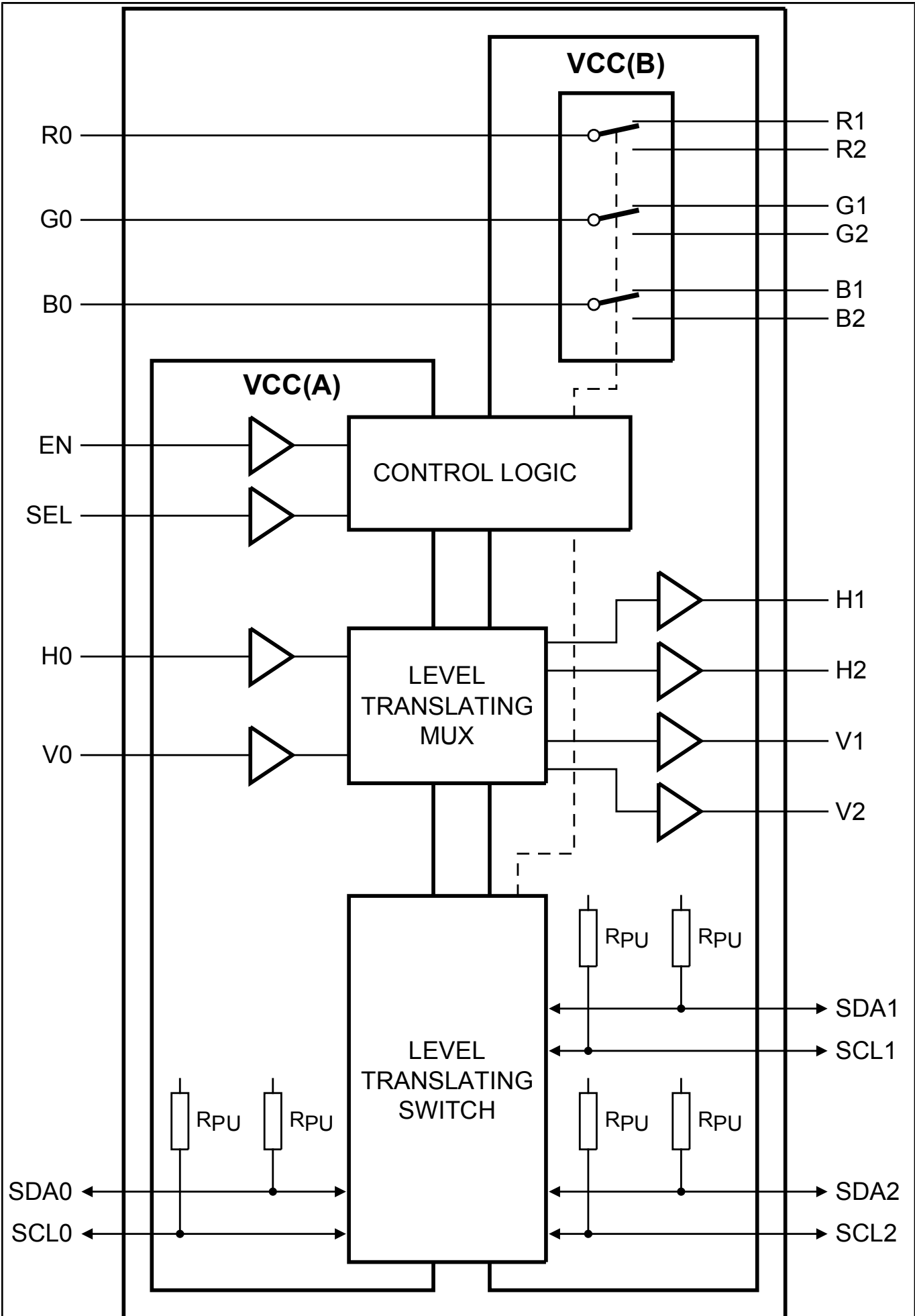
This page contains information on a product that is not recommended for new designs.

Last Updated: Oct 30, 2023

The NX5DV715 is a dual supply 1-to-2 VGA switch. It integrates high-bandwidth SPDT switches with level-translating buffers and level translating switches to provide switching of input RGB, H-Sync, V-Sync and DDC signals to either of two output channels.

The NX5DV715 is characterized for operation from -40 °C to +85 °C.

NX5DV715 Block Diagram



View additional information for [Dual-Supply 1-of-2 VGA Switch](#).

Note: The information on this document is subject to change without notice.

www.nxp.com

NXP and the NXP logo are trademarks of NXP B.V. All other product or service names are the property of their respective owners. The related technology may be protected by any or all of patents, copyrights, designs and trade secrets. All rights reserved. © 2024 NXP B.V.