



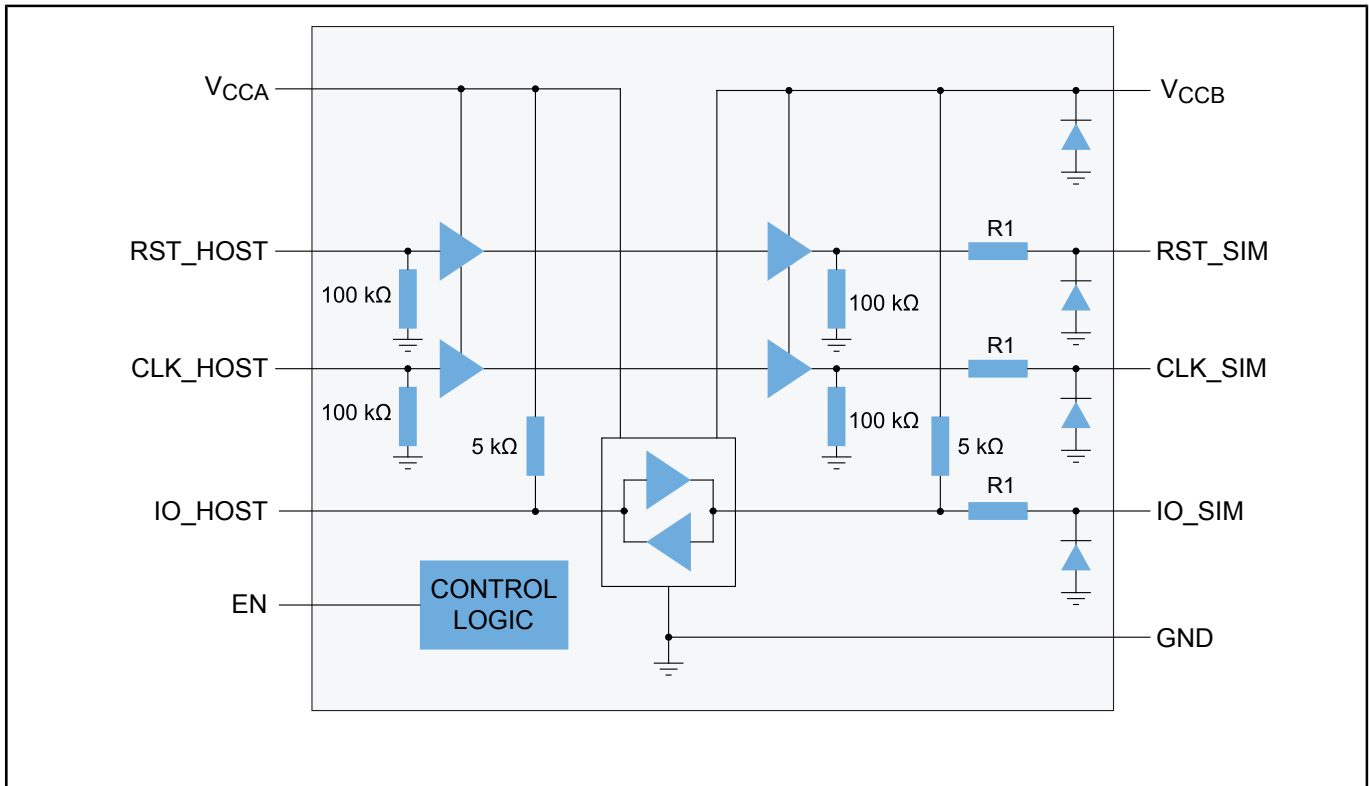
SIM Card Interface Level Translator with EMI Filter and ESD Protection

NVT4558

Last Updated: Mar 15, 2024

The NVT4558HK is a SIM card translator that interfaces host processors that operate from 1.2 V to 1.8 V to SIM cards that operate from 1.8 V to 3.6 V. In addition, integrated ESD circuitry protects all pins on the card side up to 8kV of contact ESD defined by IEC 61000-4-2 and integrated EMI filter circuitry suppresses higher harmonics of digital I/Os. Applications where this SIM card translator would be used are cell phones, notebooks, tablets and other portable electronic devices that have cellular connection.

SIM Card Interface Level Translator Block Diagram



View additional information for [SIM Card Interface Level Translator with EMI Filter and ESD Protection](#).

Note: The information on this document is subject to change without notice.

www.nxp.com

NXP and the NXP logo are trademarks of NXP B.V. All other product or service names are the property of their respective owners. The related technology may be protected by any or all of patents, copyrights, designs and trade secrets. All rights reserved. © 2024 NXP B.V.