



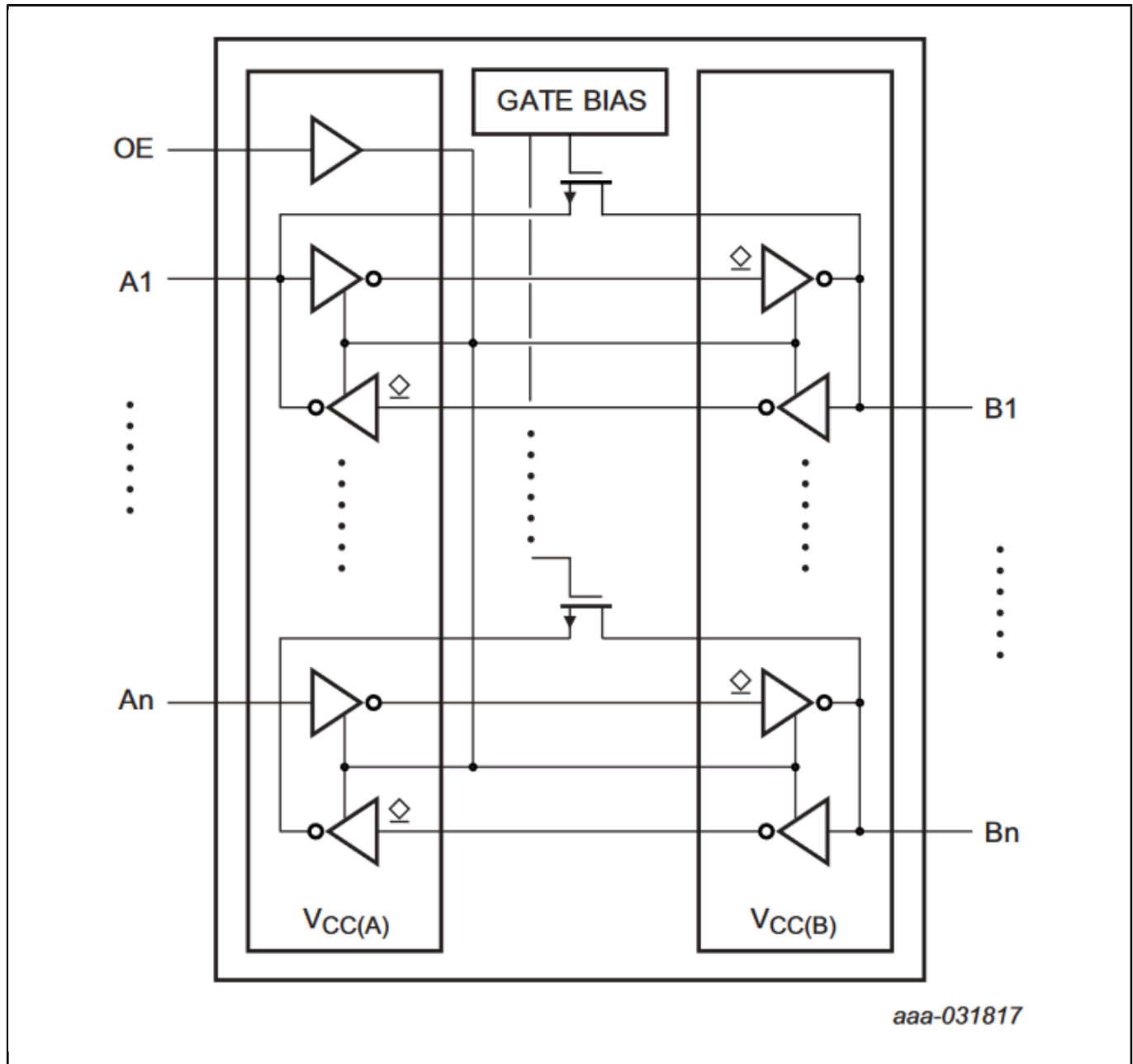
# 4-Bit Dual-Supply Translating Transceiver (Open-Drain, Auto-Direction Sensing)

## NTS0304E

Last Updated: Mar 15, 2024

The NTS0304E is a 4-bit, dual supply translating transceiver family with auto-direction sensing, that enables bidirectional voltage level translation. It features eight 1-bit input-output ports (A and B), one output enables input (OE) and two supply pins (VCC(A) and VCC(B)). VCC(A) can be supplied at any voltage between 0.95 V and 3.6 V. VCC(B) can be supplied at any voltage between 1.65 V and 5.5 V. This flexibility makes the device suitable for translating between any of the voltage nodes (0.95 V, 1.2 V, 1.8 V, 2.5 V, 3.3 V, and 5.0 V). Pins A and OE are referenced to VCC(A) and pin B is referenced to VCC(B). A LOW level at pin OE causes the outputs to assume a high-impedance OFF-state.

# NTS0304 Block diagram Block Diagram



View additional information for [4-Bit Dual-Supply Translating Transceiver \(Open-Drain, Auto-Direction Sensing\)](#).

**Note:** The information on this document is subject to change without notice.

[www.nxp.com](http://www.nxp.com)

NXP and the NXP logo are trademarks of NXP B.V. All other product or service names are the property of their respective owners. The related technology may be protected by any or all of patents, copyrights, designs and trade secrets. All rights reserved. © 2024 NXP B.V.