



2-Bit Dual-Supply Translating Transceiver (Open-Drain, Auto-Direction Sensing)

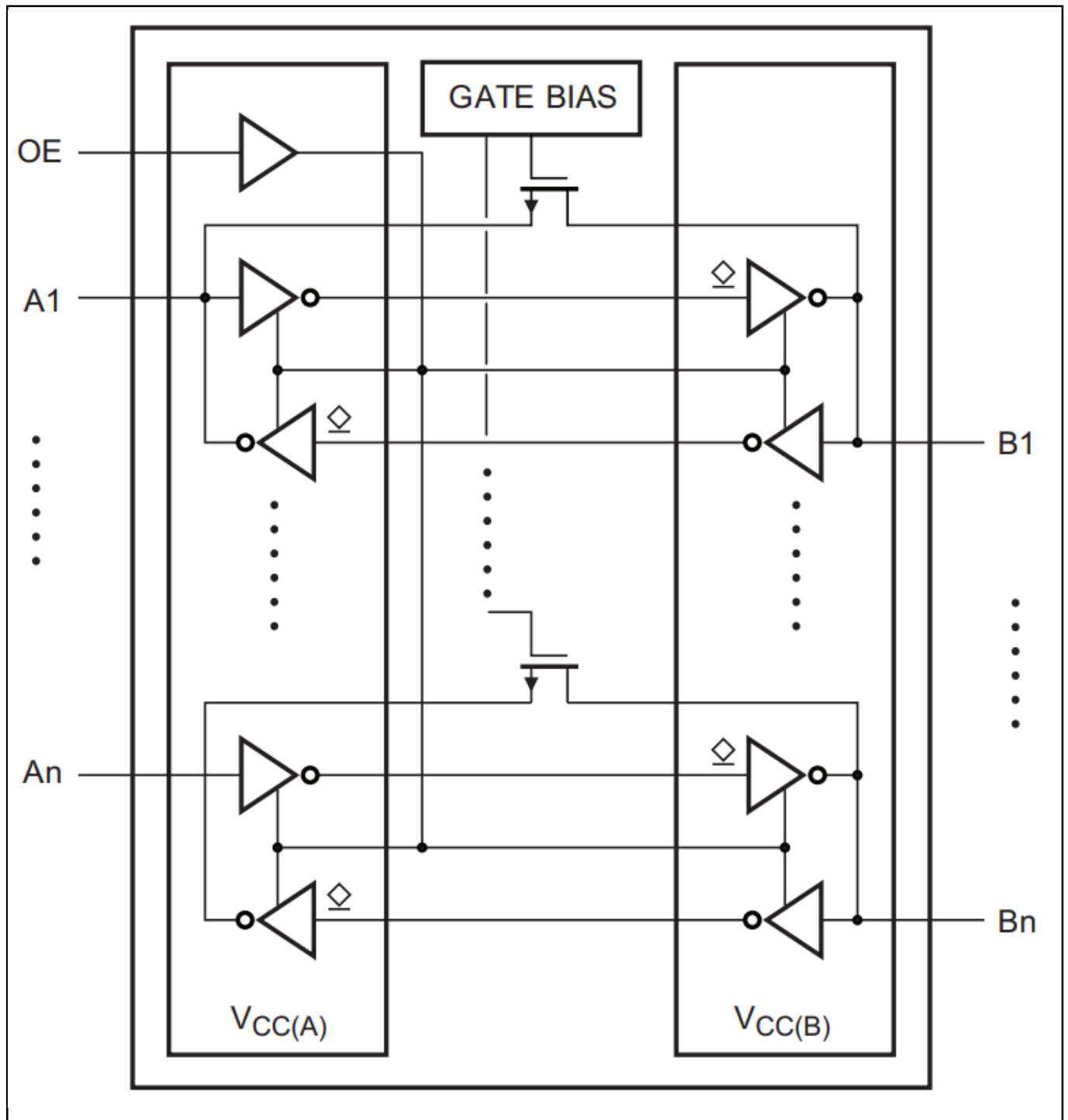
NTS0302JK

Last Updated: Mar 15, 2024

The NTS0302 is a 2-bit, dual supply translating transceiver family with auto direction sensing, that enables bidirectional voltage level translation. It features two 1-bit input-output ports (A and B), one output enable input (OE) and two supply pins (VCC(A) and VCC(B)). VCC(A) can be supplied at any voltage between 0.95 V and 3.6 V. VCC(B) can be supplied at any voltage between 1.65 V and 5.5 V.

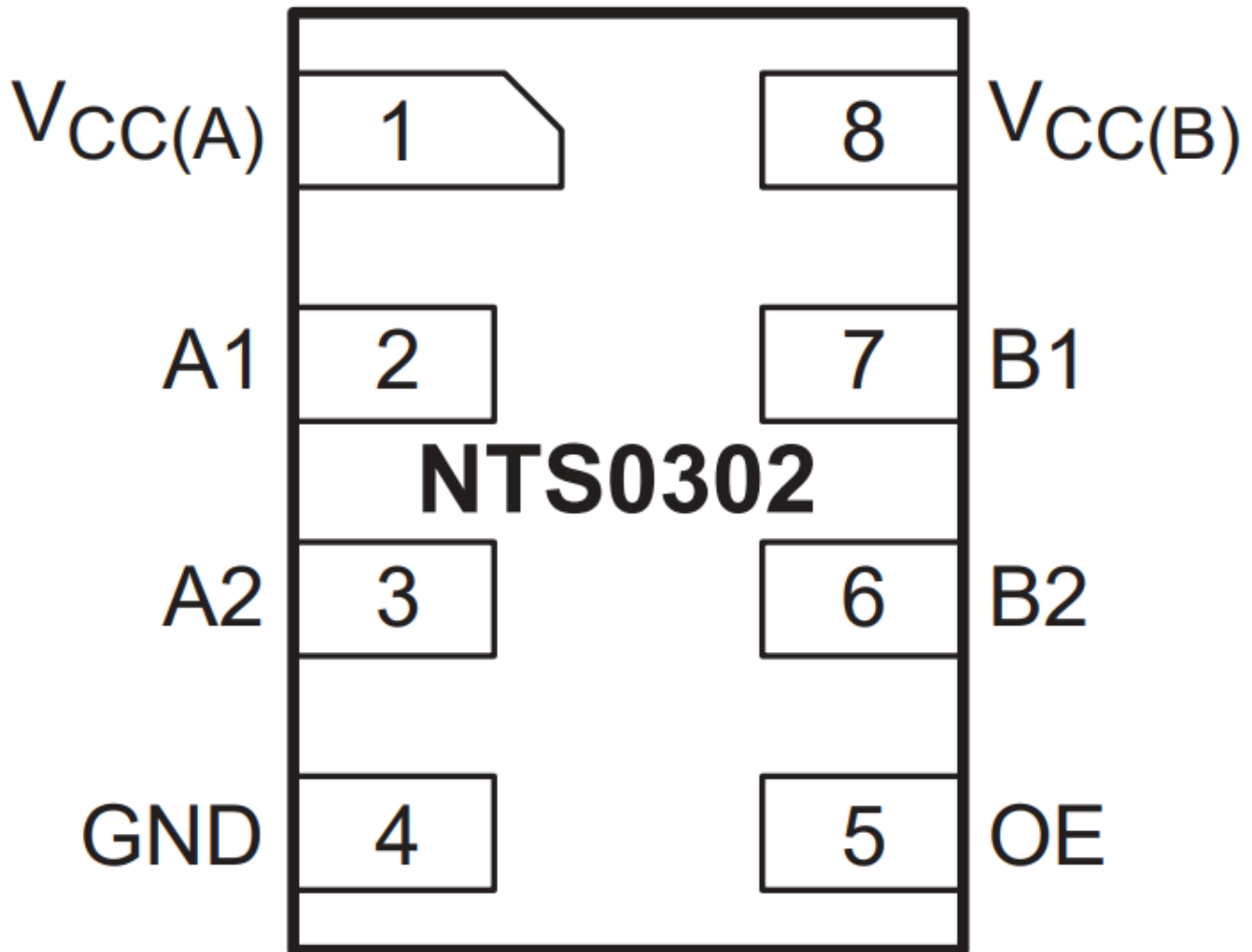
This flexibility makes the device suitable for translating between any of the voltage nodes (0.95 V, 1.2 V, 1.8 V, 2.5 V, 3.3 V, and 5.0 V). Pins A and OE are referenced to VCC(A) and pin B is referenced to VCC(B). A LOW level at pin OE causes the outputs to assume a high-impedance OFF-state.

NTS0302 Block Diagram



NTS0302 Package Block Diagram

Top View



aaa-031208

View additional information for [2-Bit Dual-Supply Translating Transceiver \(Open-Drain, Auto-Direction Sensing\)](#).

Note: The information on this document is subject to change without notice.

www.nxp.com

NXP and the NXP logo are trademarks of NXP B.V. All other product or service names are the property of their respective owners. The related technology may be protected by any or all of patents, copyrights, designs and trade secrets. All rights reserved. © 2024 NXP B.V.