



# Automotive-Grade NFC Frontend IC

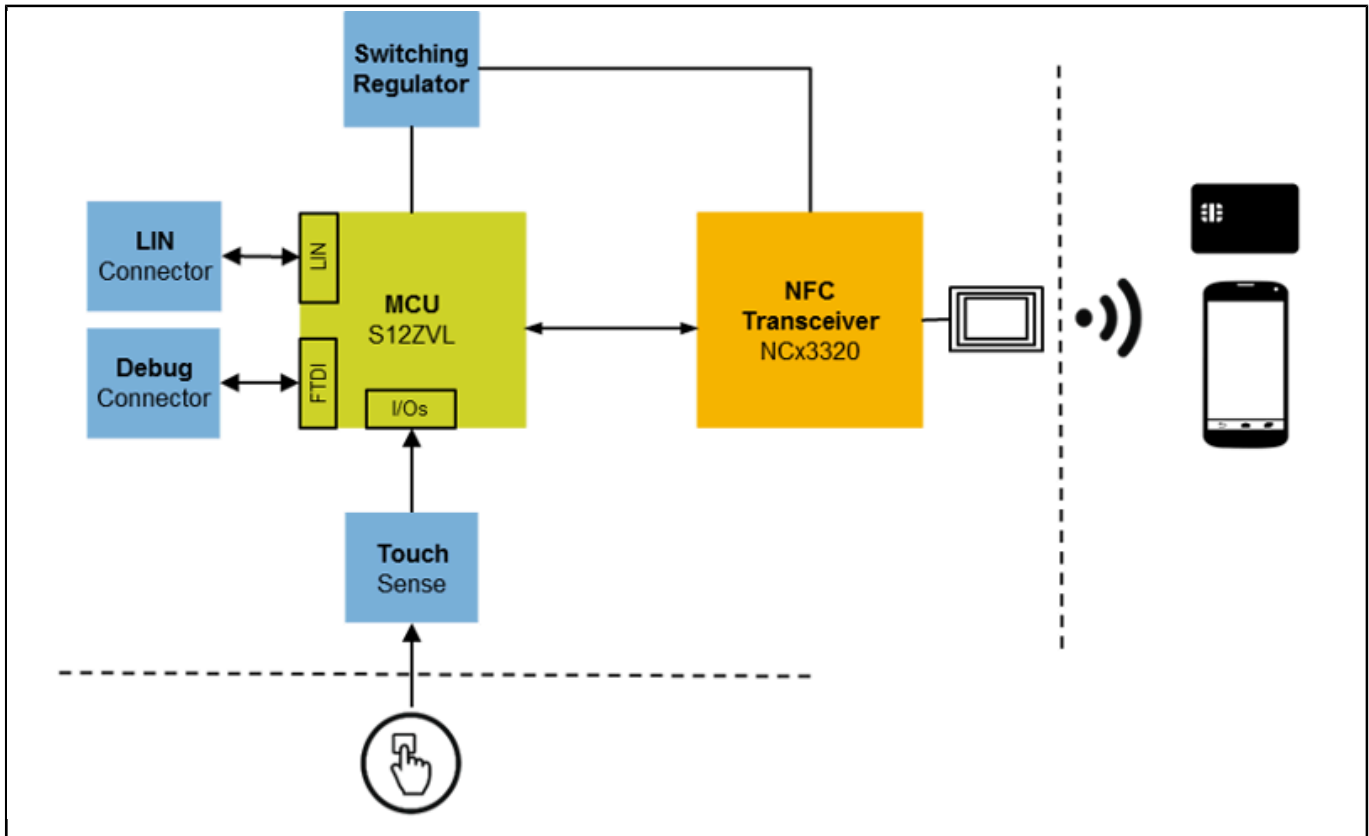
## NCx3320

Last Updated: Aug 2, 2023

The NXP NCx3320 is an automotive-grade NFC frontend IC optimized for secure car access. As a member of NXP®'s high-performance reader IC family, NCx3320 combines high RF output power with robust multiple protocol support. The NCx3320 also sets new benchmarks in terms of low power operation and excellent card detection distance making it ideal choice for door handle applications. The NCx3320 is accompanied by a generic software library, which is easily portable across different MCUs.

Please send an email to [automotive\\_nfc@nxp.com](mailto:automotive_nfc@nxp.com) to request product support packages for this product. Once you have your activation code, please check this [How to register and activate my software video](#).

## NCx3320 Application Block Diagram Block Diagram



View additional information for [Automotive-Grade NFC Frontend IC](#).

Note: The information on this document is subject to change without notice.

[www.nxp.com](http://www.nxp.com)

NXP and the NXP logo are trademarks of NXP B.V. All other product or service names are the property of their respective owners. The related technology may be protected by any or all of patents, copyrights, designs and trade secrets. All rights reserved. © 2024 NXP B.V.