



S12ZVL and NCx3320 Near-Field Communication (NFC) Door Handle Solution

NCx3320-DHRD

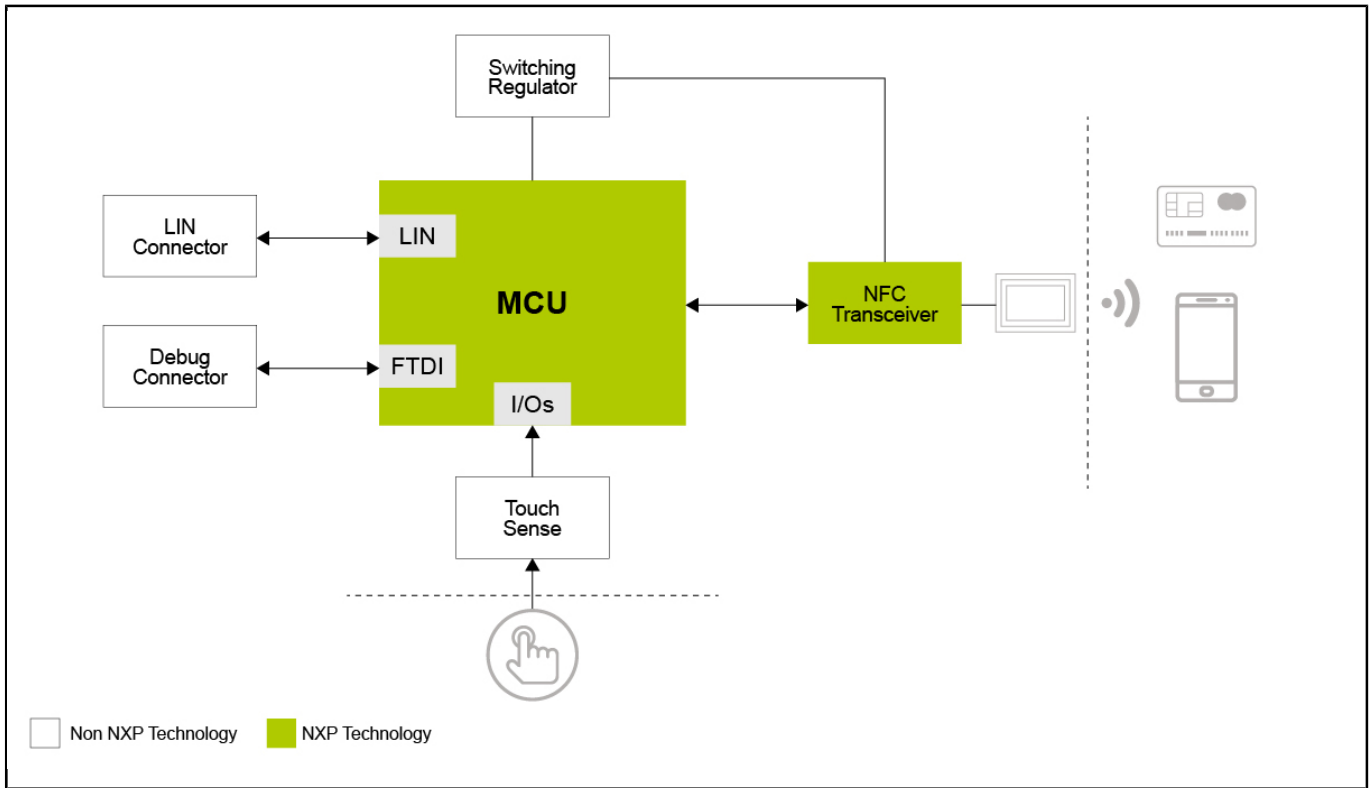
Last Updated: Feb 29, 2024

The NCx3320-DHRD is a solution for automotive NFC door handle applications.

It meets the strict constraints imposed by limited space inside of the door handle and can be easily installed. This solution showcases a one-size-fits-all antenna matching concept, addressing both chrome and non-chrome door handles.

[Automotive NFC Frontend IC Optimized for Secure Car Access - Fact Sheet](#)

S32K Block Diagram



View additional information for [S12ZVL](#) and [NCx3320 Near-Field Communication \(NFC\) Door Handle Solution](#).

Note: The information on this document is subject to change without notice.

www.nxp.com

NXP and the NXP logo are trademarks of NXP B.V. All other product or service names are the property of their respective owners. The related technology may be protected by any or all of patents, copyrights, designs and trade secrets. All rights reserved. © 2024 NXP B.V.