



MPC5604P 3-phase BLDC Development Kit

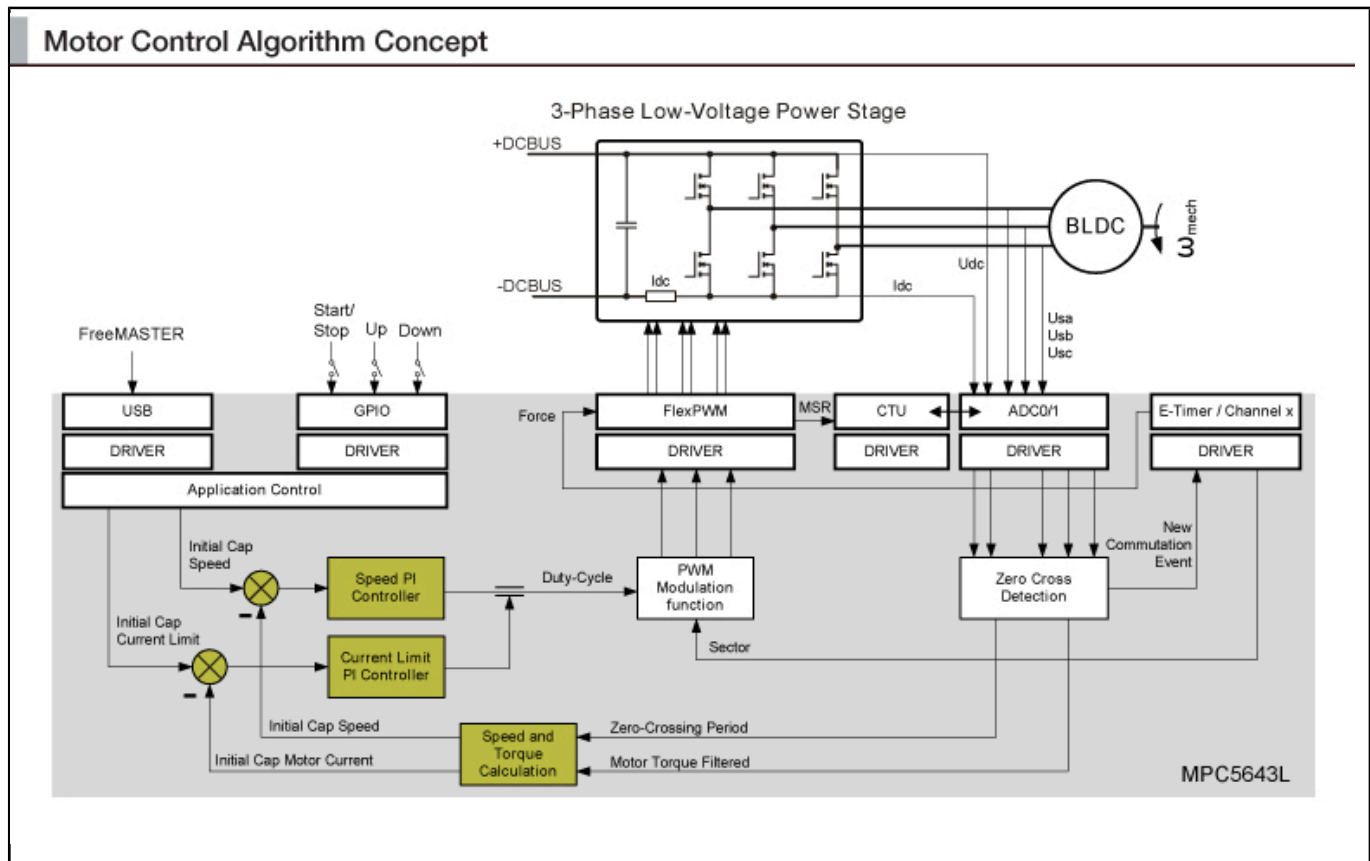
MTRCKTSBN5604P

Last Updated: Nov 27, 2023

The MTRCKTSBN5604P motor control development kit is ideal for sensorless applications requiring one BLDC motor, such as HVAC or electric pumps. Designed to enable rapid prototyping and evaluation of a motor control application without having to wait for the final hardware design, the kit includes a 32-bit NXP® [MPC5604P](#) based controller board and the 3-phase low-voltage power stage board.

The application software provides a complete reference implementation of the BLDC motor control application and also takes advantage of the Automotive Math and Motor Control Library Set.

MPC5604P Block Diagram Block Diagram



View additional information for [MPC5604P 3-phase BLDC Development Kit](#).

Note: The information on this document is subject to change without notice.

www.nxp.com

NXP and the NXP logo are trademarks of NXP B.V. All other product or service names are the property of their respective owners. The related technology may be protected by any or all of patents, copyrights, designs and trade secrets. All rights reserved. © 2024 NXP B.V.