



# MPC5775B and MPC5775E Microcontrollers for Battery Management Systems (BMS) and Inverter Applications

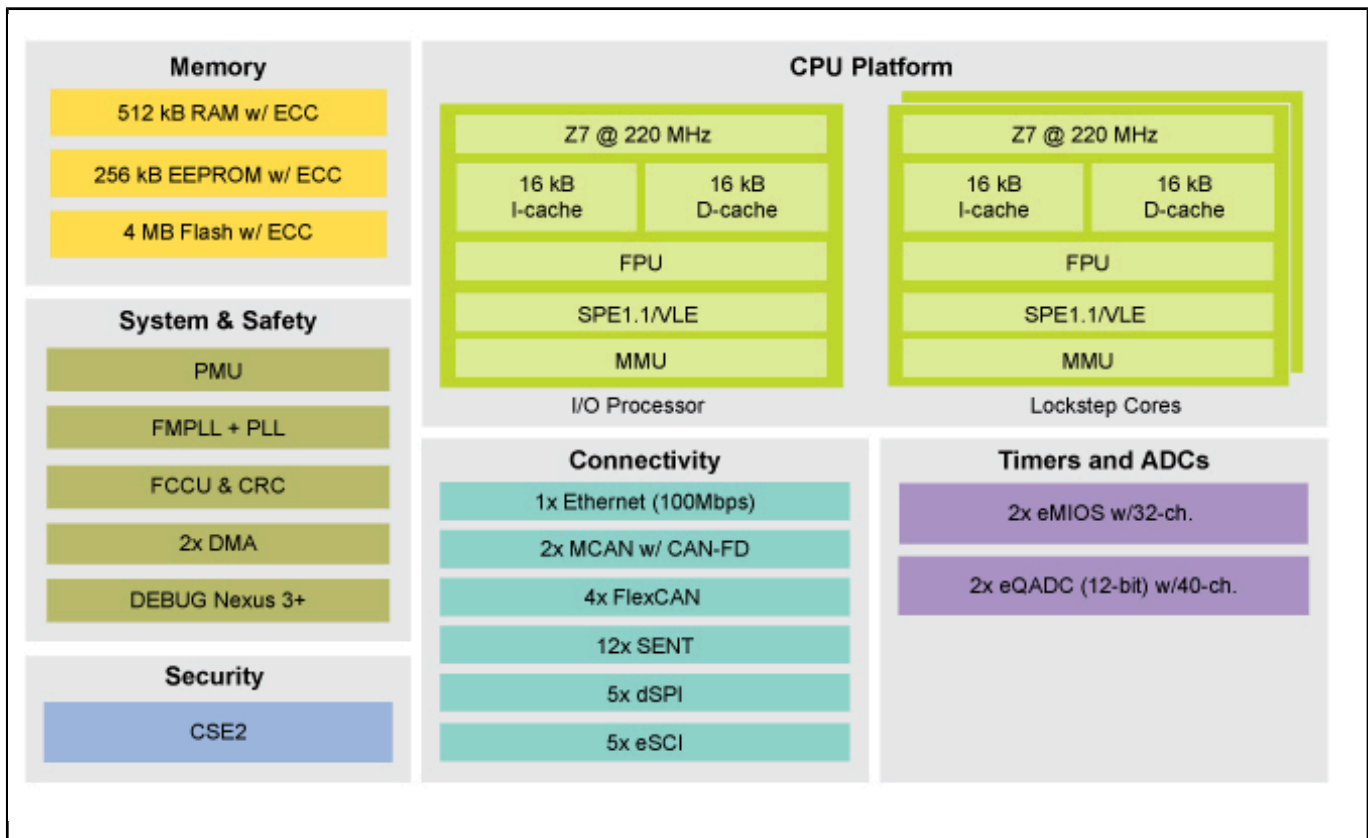
## MPC5775B-E

Last Updated: Apr 11, 2024

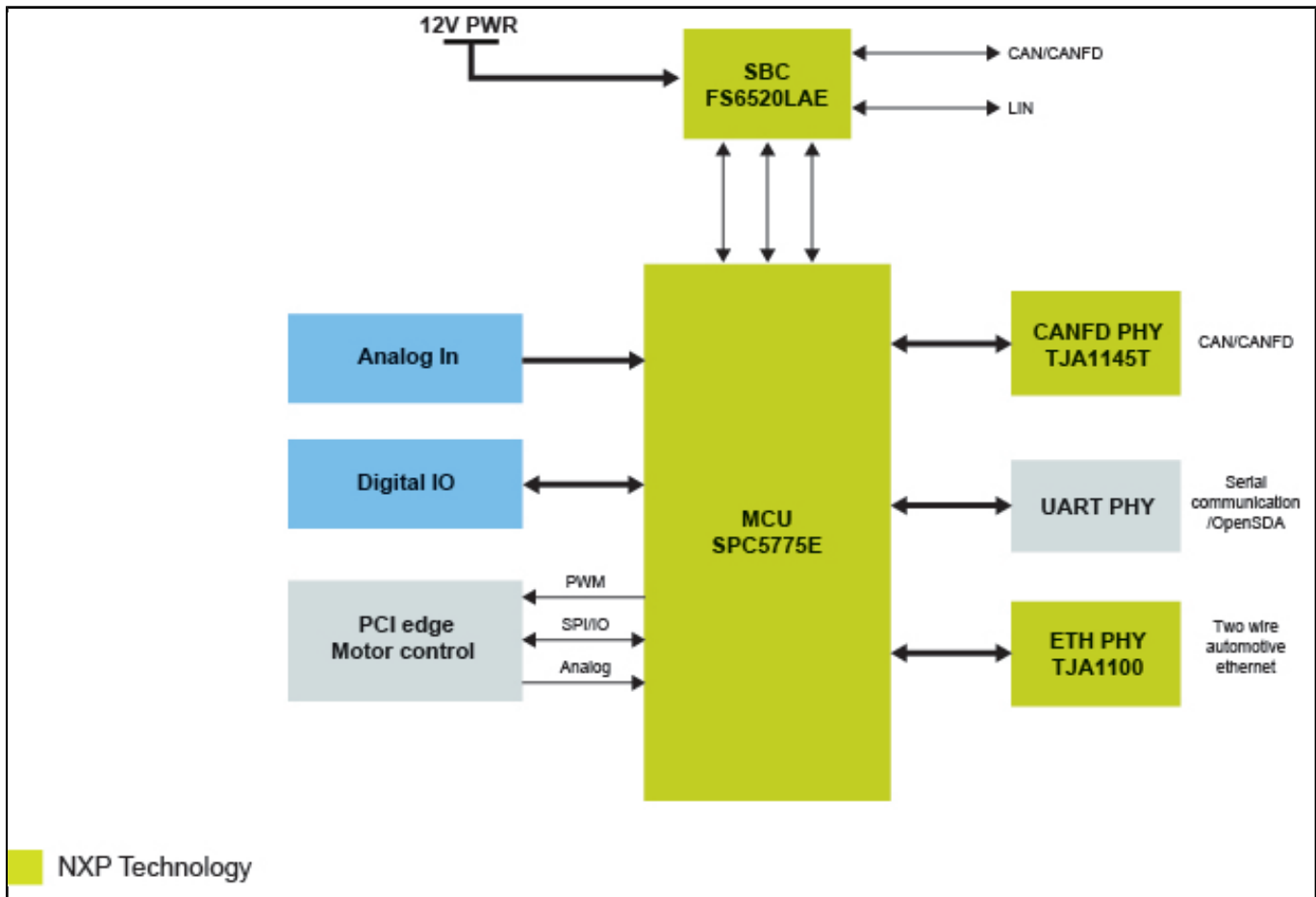
The MPC5775B and MPC5775E microcontrollers target automotive and industrial battery management and inverter applications that require advanced performance, security, and ASIL-D support.

These MCUs are compatible with the MPC5777C device and offer customers an optimized feature set for the targeted applications. The MPC5775B and MPC5775E provide an ideal migration path for customers using MPC5xx, MPC55xx, MPC5644A and MPC5674F with eTPU timer and similar pin count options.

## MPC5775B and MPC5775E Block Diagram



## MPC5775E-EVB development board architecture Block Diagram



View additional information for [MPC5775B and MPC5775E Microcontrollers for Battery Management Systems \(BMS\) and Inverter Applications](#).

**Note:** The information on this document is subject to change without notice.

---

**[www.nxp.com](http://www.nxp.com)**

NXP and the NXP logo are trademarks of NXP B.V. All other product or service names are the property of their respective owners. The related technology may be protected by any or all of patents, copyrights, designs and trade secrets. All rights reserved. © 2024 NXP B.V.