



Ultra-Reliable MPC560xP MCU for Automotive and Industrial Safety Applications

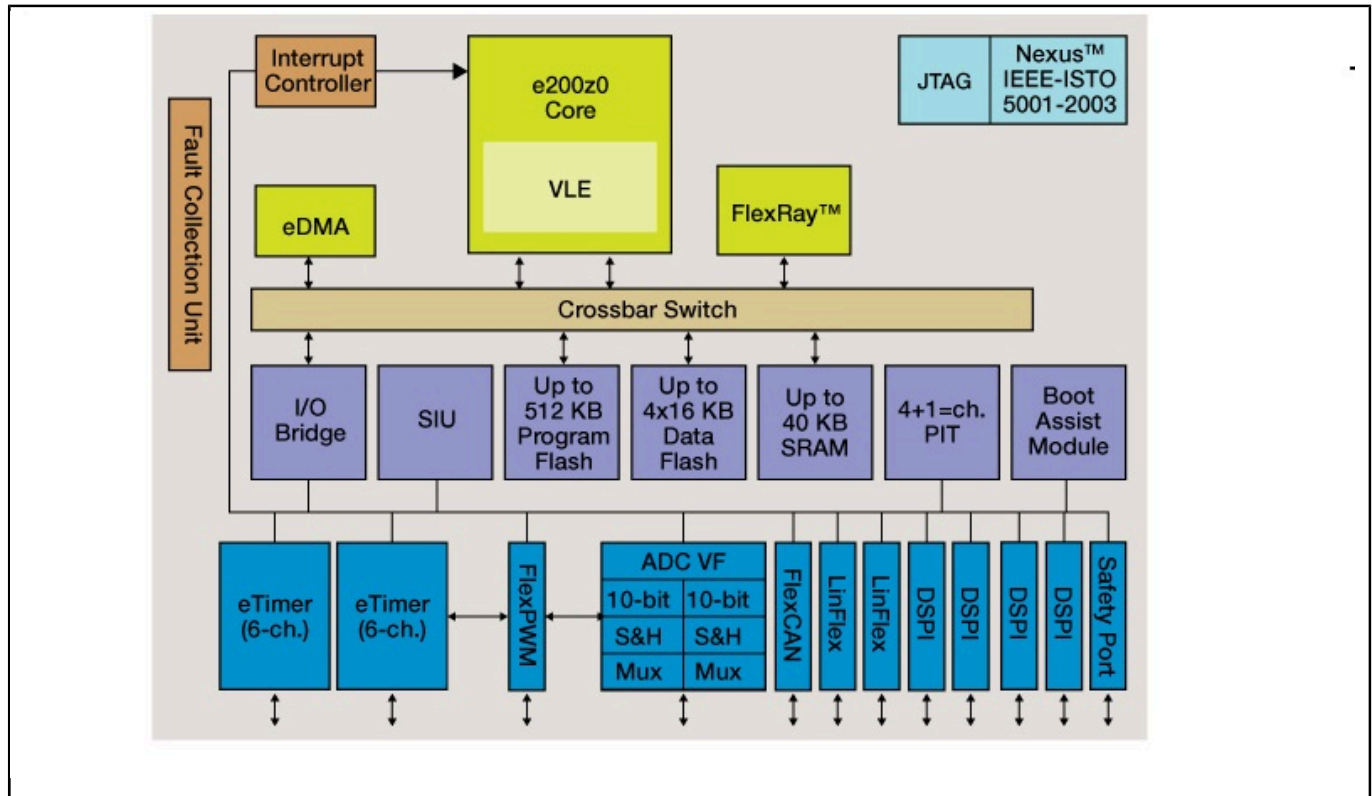
MPC560xP

Last Updated: Apr 26, 2023

The MPC560xP family of MCUs target sophisticated chassis, automotive and industrial applications. They enable electronic replacement for heavy hydraulic and engine-driven systems.

- Ensures the latest safety requirements for functional safety applications
- Reduces system complexity, development time, and bill-of-materials costs
- Improves fuel efficiency
- Reduces greenhouse gas emissions

MPC560XP Microcontroller Block Diagram Block Diagram



View additional information for [Ultra-Reliable MPC560xP MCU for Automotive and Industrial Safety Applications](#).

Note: The information on this document is subject to change without notice.

www.nxp.com

NXP and the NXP logo are trademarks of NXP B.V. All other product or service names are the property of their respective owners. The related technology may be protected by any or all of patents, copyrights, designs and trade secrets. All rights reserved. © 2024 NXP B.V.