



32-bit MCU for Automotive Powertrain and Industrial Applications

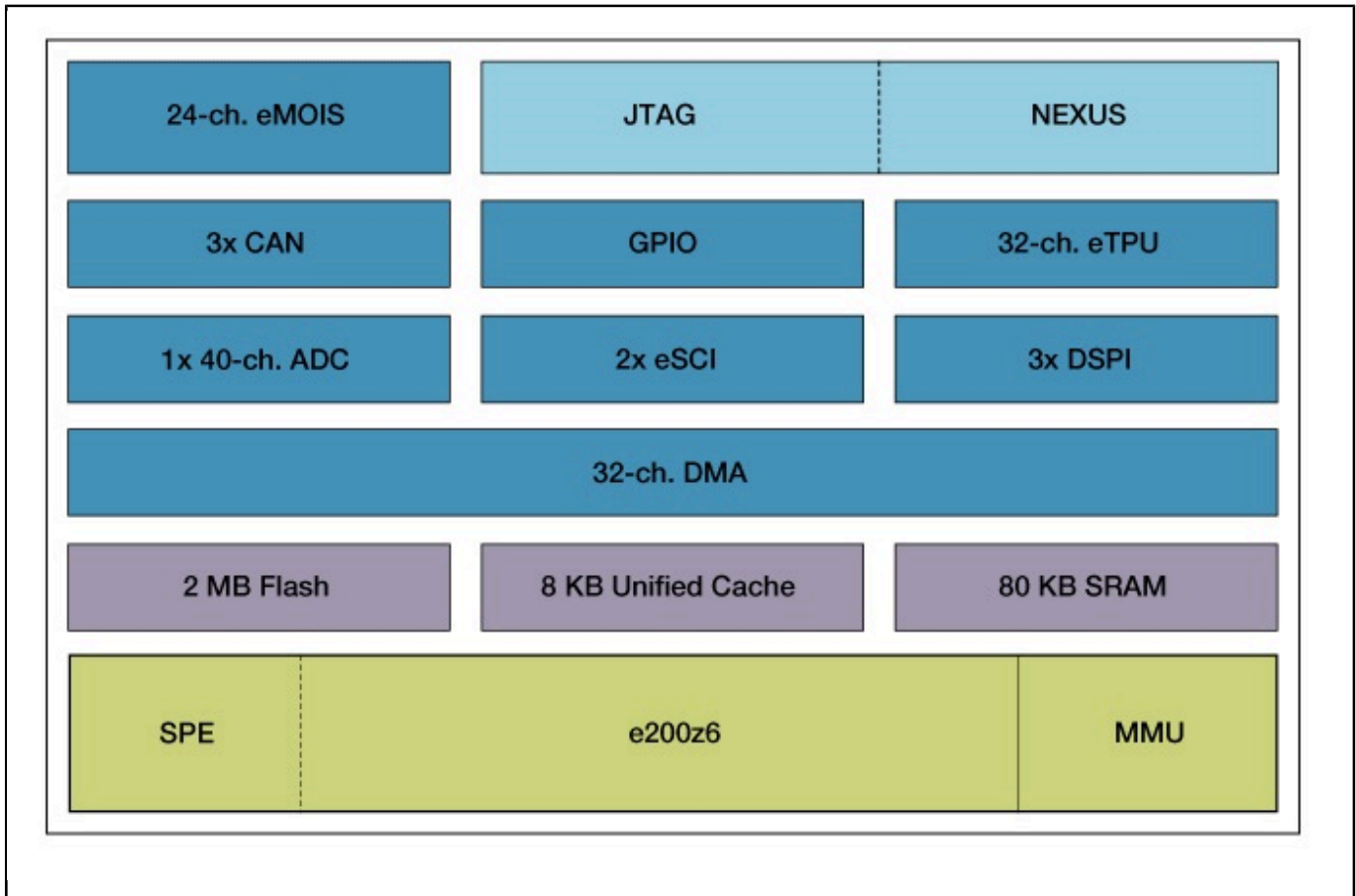
MPC5565

Last Updated: Jul 3, 2023

Designed for engine management and high temperature industrial environments, the NXP® MPC5565 embedded controller targets mid-range applications and use cases requiring complex, real-time control.

- Helps increase fuel efficiency and improved emissions
- Offers system performance of up to five times that of its MPC500 predecessors
- Enables easy migration to next-generation 3 MB flash-embedded controllers
- Facilitates reuse of legacy software architectures
- Pin-and code-compatible with other MPC5500 family MCUs
- Includes comprehensive development tools to help simplify and speed system design

MPC5565 Block Diagram Block Diagram



View additional information for [32-bit MCU for Automotive Powertrain and Industrial Applications](#).

Note: The information on this document is subject to change without notice.

www.nxp.com

NXP and the NXP logo are trademarks of NXP B.V. All other product or service names are the property of their respective owners. The related technology may be protected by any or all of patents, copyrights, designs and trade secrets. All rights reserved. © 2024 NXP B.V.