



H-Bridge, Motor Driver, 2.7–5.5 V, 0.8 A, 200 kHz

MPC17C724

Not Recommended for New Designs

This page contains information on a product that is not recommended for new designs.

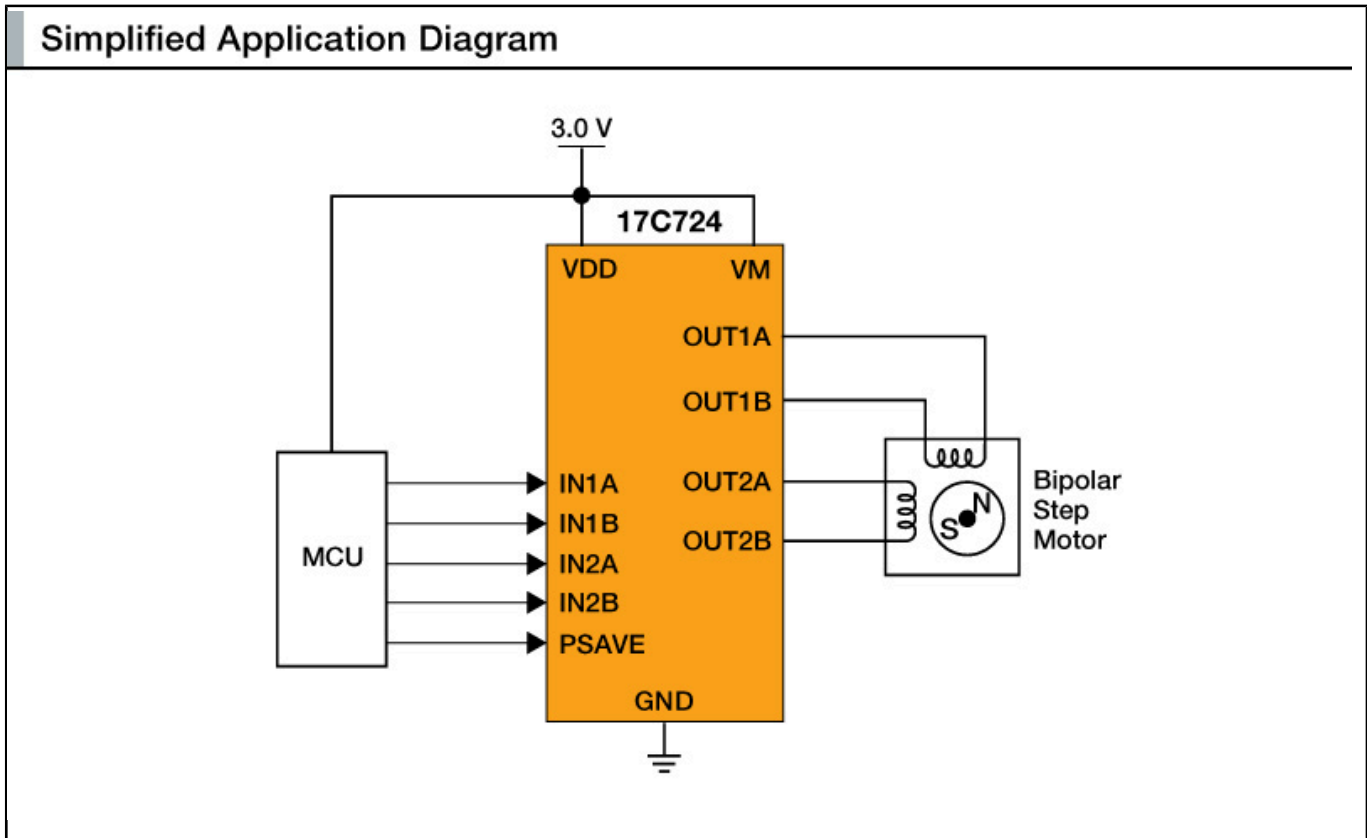
Last Updated: Jul 20, 2023

MPC17C724EP device is in End of Life status and is "Not recommended for new designs"

The NXP® MPC17C724 is a compact monolithic dual channel H-Bridge power IC, ideal for portable electronic applications containing bipolar stepper motors or brush DC motors such as those used in camera lenses and shutters.

- Operates efficiently with supply voltages from 2.7 V to 5.5 V and can provide continuous motor drive currents of 0.4 A with low RDS(ON) of 1.0
- Easily interfaced to low-cost MCUs via parallel 3.0 V- or 5.0 V-compatible logic
- Built-in shoot-through current protection circuit and undervoltage detector to avoid malfunction
- The H-bridge outputs are designed to be independently PWM'ed at up to 200 kHz for speed/torque and current control

H-Bridge, Brushed DC/Stepper Motor Driver, 2.7-5.5V, 0.8A, 200kHz Block Diagram



View additional information for [H-Bridge, Motor Driver, 2.7-5.5 V, 0.8 A, 200 kHz](#).

Note: The information on this document is subject to change without notice.

www.nxp.com

NXP and the NXP logo are trademarks of NXP B.V. All other product or service names are the property of their respective owners. The related technology may be protected by any or all of patents, copyrights, designs and trade secrets. All rights reserved. © 2024 NXP B.V.