



Battery Sensor with CAN and LIN

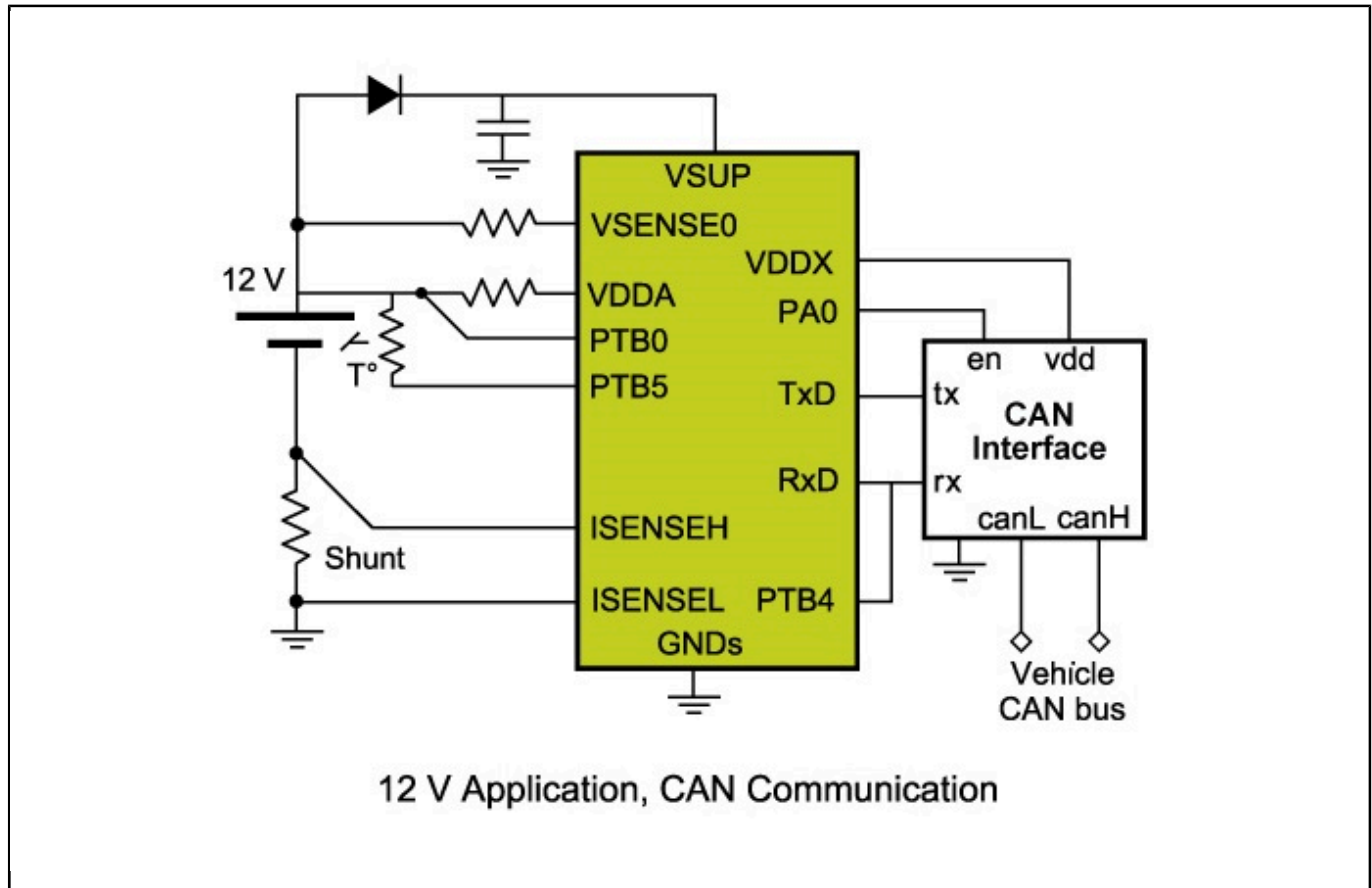
MM9Z1_638

Last Updated: Jul 20, 2023

The NXP® MM9Z1_638 is a fully integrated battery monitoring device, featuring:

- Support of precise current measurement via an external shunt resistor
- Four voltage measurement via an internal calibrated resistor divider or use of an external divider
- An internal temperature sensor, allowing close proximity battery temperature measurements, plus four external temperature sensor inputs
- LIN 2.2 protocol and physical interface and an MSCAN protocol controller for interfacing to automotive buses

MM9Z1 PSP Block Diagram Block Diagram



View additional information for [Battery Sensor with CAN and LIN](#).

Note: The information on this document is subject to change without notice.

www.nxp.com

NXP and the NXP logo are trademarks of NXP B.V. All other product or service names are the property of their respective owners. The related technology may be protected by any or all of patents, copyrights, designs and trade secrets. All rights reserved. © 2024 NXP B.V.