



# H-Bridge Motor Driver, 2-7 V, 1.4 A, 200 kHz

## MC34933

### Not Recommended for New Designs

This page contains information on a product that is not recommended for new designs.

Last Updated: Sep 26, 2023

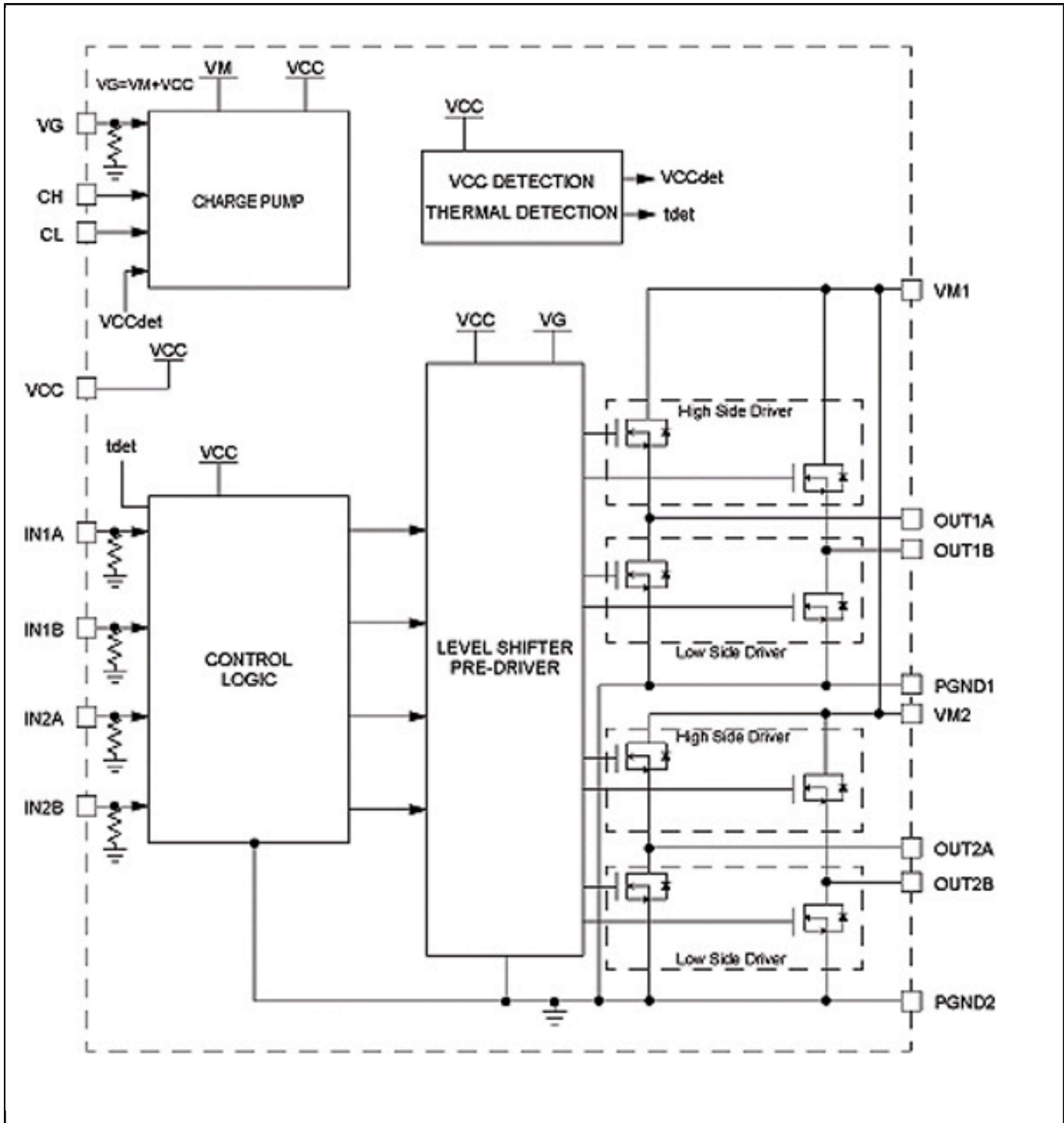
The NXP® MC34933 is a two channel H-Bridge driver with a variety of applications, such as auto focus control, that make it ideal for the digital camera market.

Uses the NXP proprietary SMOS8 Bi CMOS process to deliver a low power device with a maximum quiescent current of 100  $\mu$ A for the motor drive supply and 400  $\mu$ A for the control logic supply

Employs a VCC detection circuit to sense when the logic supply switches to an off-state with a maximum current of 1  $\mu$  A to extend battery life

Thermal protection circuitry for the H-Bridge drivers to avoid damage to the IC's internal Power MOSFET circuitry

# NXP MC34933 Power Actuation Block Diagram Block Diagram



View additional information for [H-Bridge Motor Driver, 2-7 V, 1.4 A, 200 kHz](#).

Note: The information on this document is subject to change without notice.

**[www.nxp.com](http://www.nxp.com)**

NXP and the NXP logo are trademarks of NXP B.V. All other product or service names are the property of their respective owners. The related technology may be protected by any or all of patents, copyrights, designs and trade secrets. All rights reserved. © 2024 NXP B.V.