



Mini or Micro-USB Interface IC

MC34827

Archived

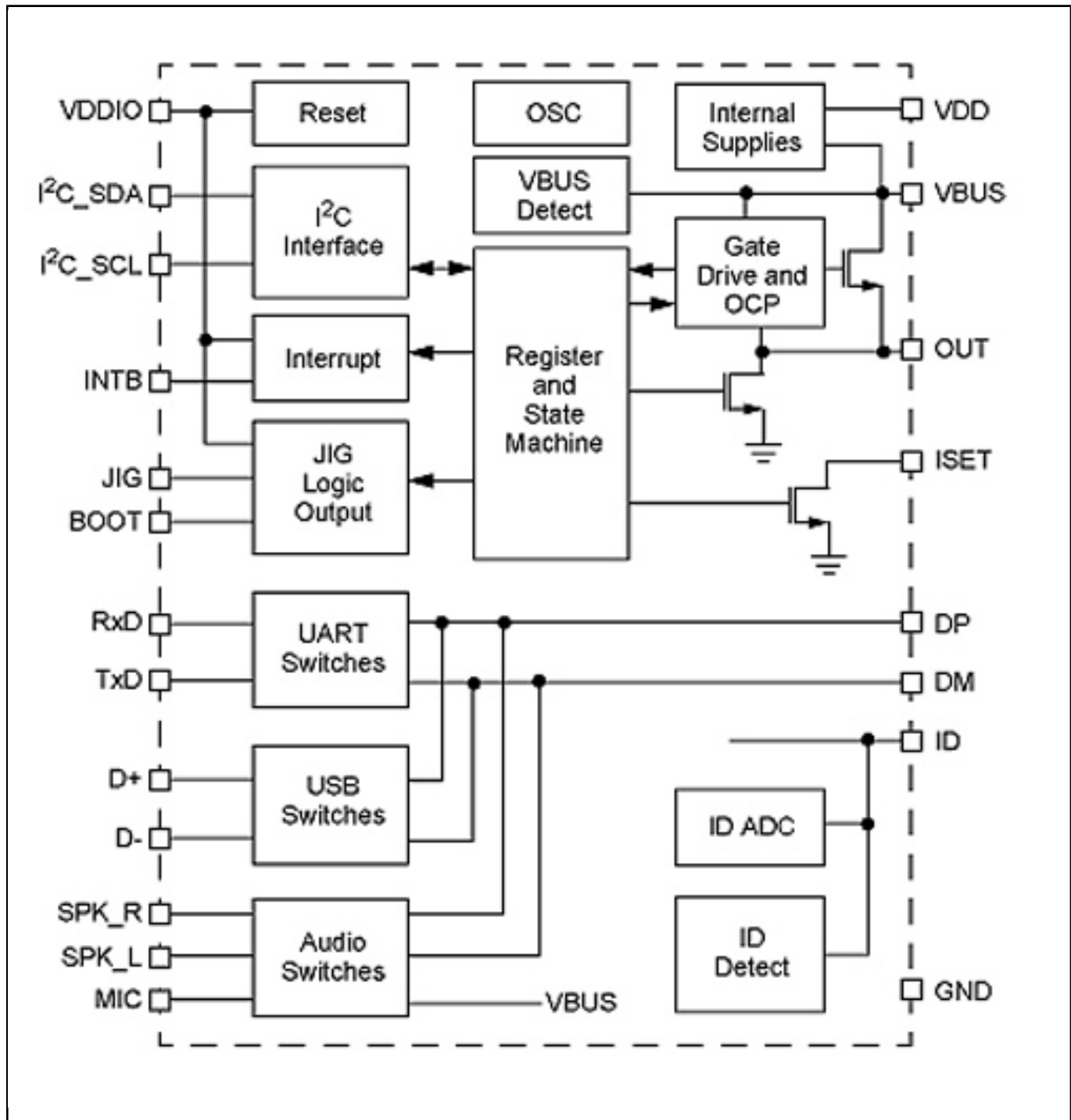
This page contains information on a product that is no longer manufactured (discontinued). Specifications and information herein are available for historical reference only.

Last Updated: Oct 14, 2023

The NXP® MC34827 is a dedicated integrated circuit (IC) for managing charging and signal multiplexing between a cell phone and its accessory via a 5-pin Mini or Micro-USB connector.

- An external power source, such as a dedicated ac/dc adapter or a standard USB port, is able to charge the battery in the cell phone via the connector
- The MC34827 is capable of identifying the type of the external power source and selecting one of two battery charge current levels according to the type

MC34827 Block Diagram Block Diagram



View additional information for [Mini or Micro-USB Interface IC](#).

Note: The information on this document is subject to change without notice.

www.nxp.com

NXP and the NXP logo are trademarks of NXP B.V. All other product or service names are the property of their respective owners. The related technology may be protected by any or all of patents, copyrights, designs and trade secrets. All rights reserved. © 2024 NXP B.V.