



# Quad DSI 2.02 Leader, Differential Drive, Freq Spread

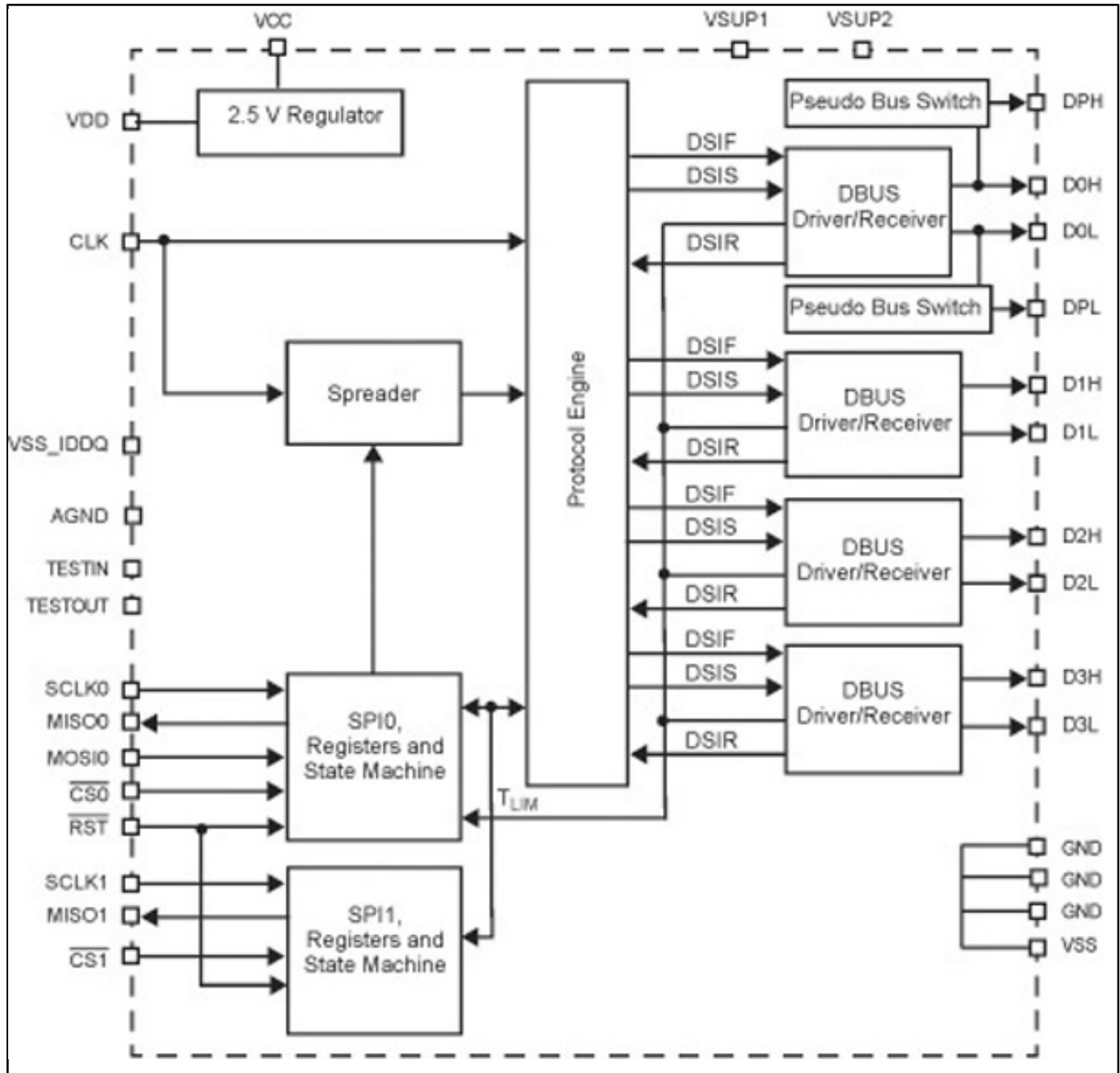
## MC33781

Last Updated: Jul 12, 2023

The NXP® MC33781 is a leader device for four differential DSI 2.02 buses that contains the logic to interface the buses to a standard SPI port and the analog circuitry to drive data and power over the bus, as well as receive data from the remote follower devices.

- The differential mode generates lower electromagnetic interference (EMI) in situations where data rates and wiring make this a problem
- Frequency spreading further reduces interference by spreading the energy across many frequencies, reducing the energy in any single frequency
- Tools: Limited Evaluation boards available; contact sales

# Freescale MC33781 Network Transceivers Block Diagram Block Diagram



View additional information for [Quad DSI 2.02 Leader, Differential Drive, Freq Spread](#).

Note: The information on this document is subject to change without notice.

[www.nxp.com](http://www.nxp.com)

NXP and the NXP logo are trademarks of NXP B.V. All other product or service names are the property of their respective owners. The related technology may be protected by any or all of patents, copyrights, designs and trade secrets. All rights reserved. © 2024 NXP B.V.