



High-Voltage Development Platform

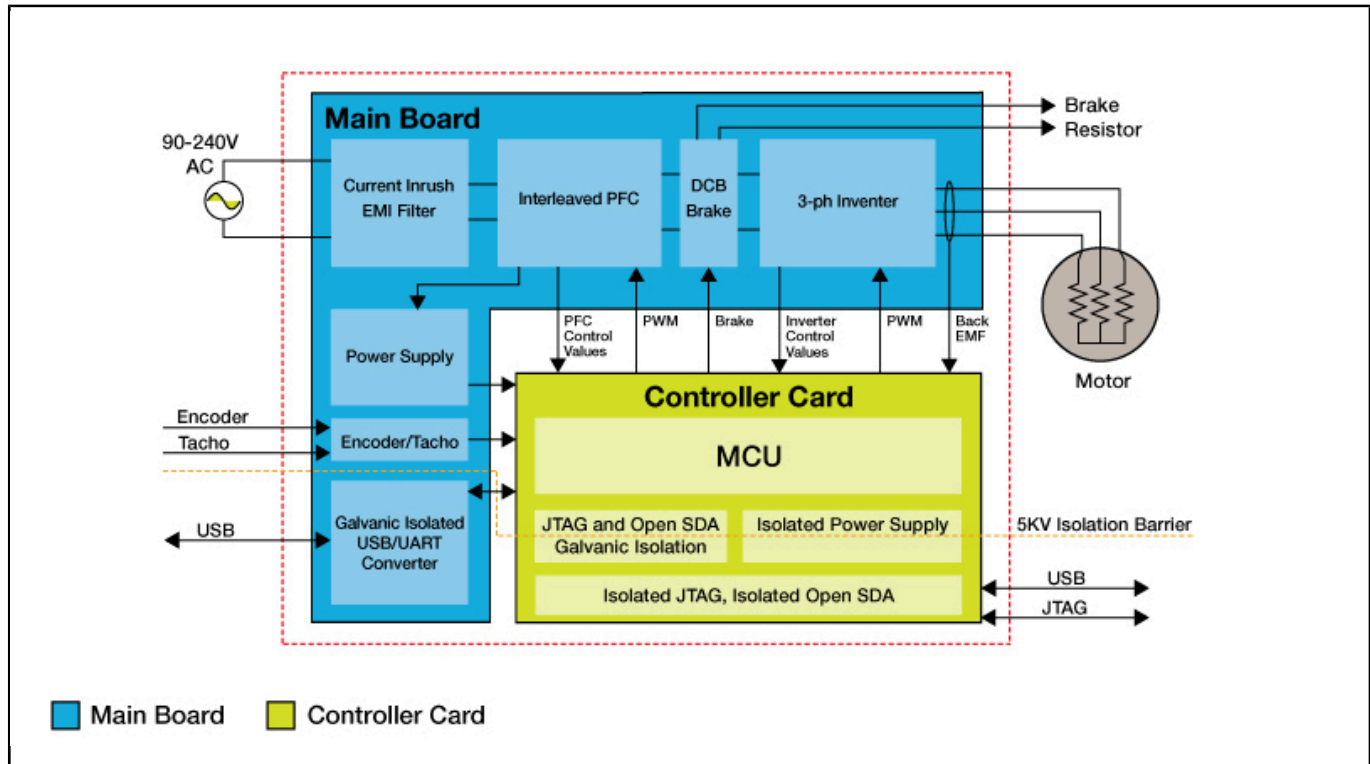
HVP-MC3PH

Last Updated: Nov 14, 2023

The NXP® High-Voltage Development Platform is an evaluation and development solution for Kinetis® V Series MCUs, Kinetis E Series MCUs and NXP Digital Signal Controllers.

- The platform enables development of 3-phase PMSM, BLDC and ACIM motor control and power factor correction solutions in a safe high-voltage environment
- It is an isolated solution that provides the development base for the Controller Cards supporting NXP MCUs
- The platform is compatible with all Kinetis V series MCUs, Kinetis E Series MCUs and DSC Controller Cards. The development platforms include HVP-KV46F150M controller card in the box.

High-Voltage Development Platform Block Diagram Block Diagram



View additional information for [High-Voltage Development Platform](#).

Note: The information on this document is subject to change without notice.

www.nxp.com

NXP and the NXP logo are trademarks of NXP B.V. All other product or service names are the property of their respective owners. The related technology may be protected by any or all of patents, copyrights, designs and trade secrets. All rights reserved. © 2024 NXP B.V.