



4-Bit GTL-to-GTL Buffer

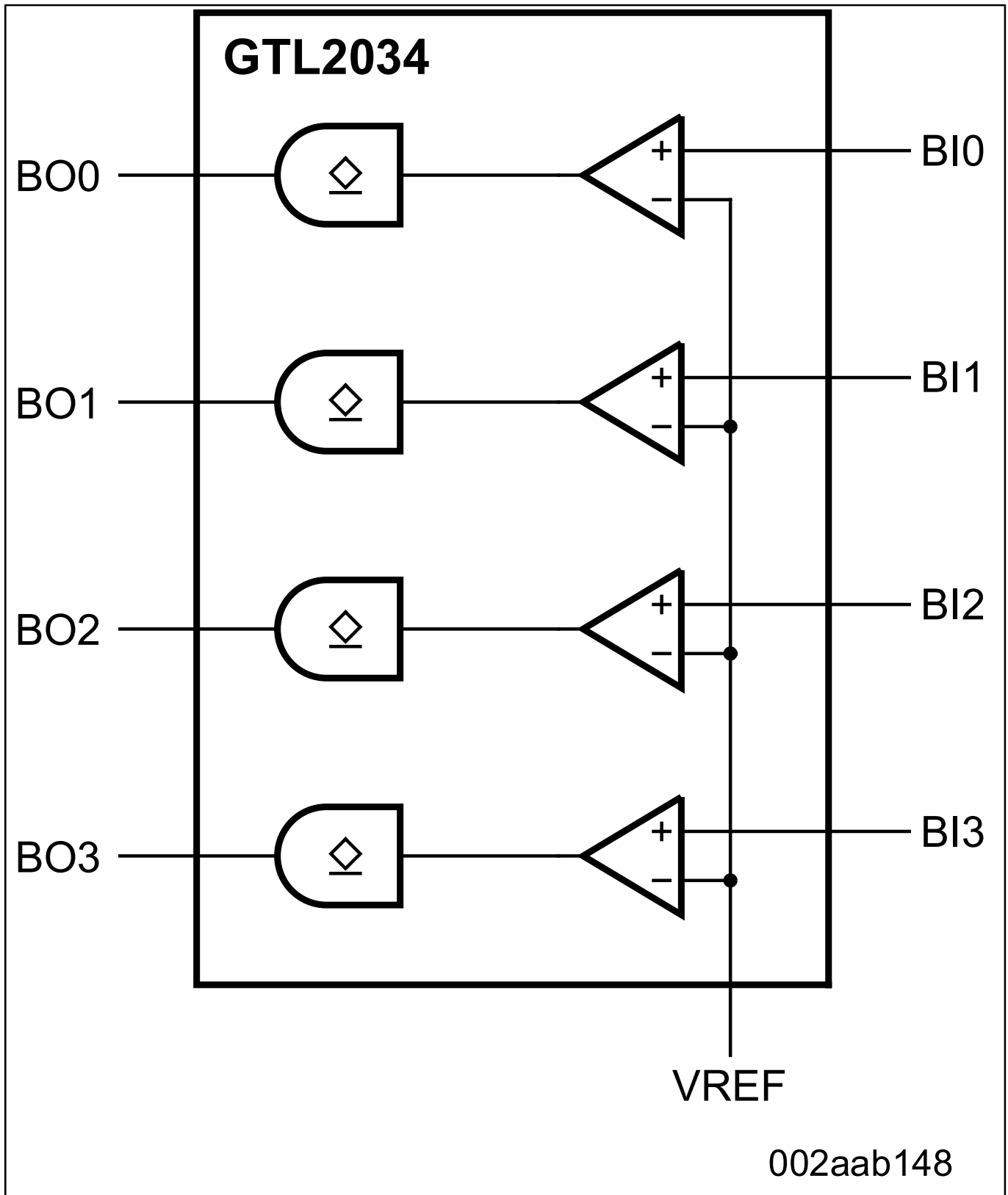
GTL2034PW

Last Updated: Mar 15, 2024

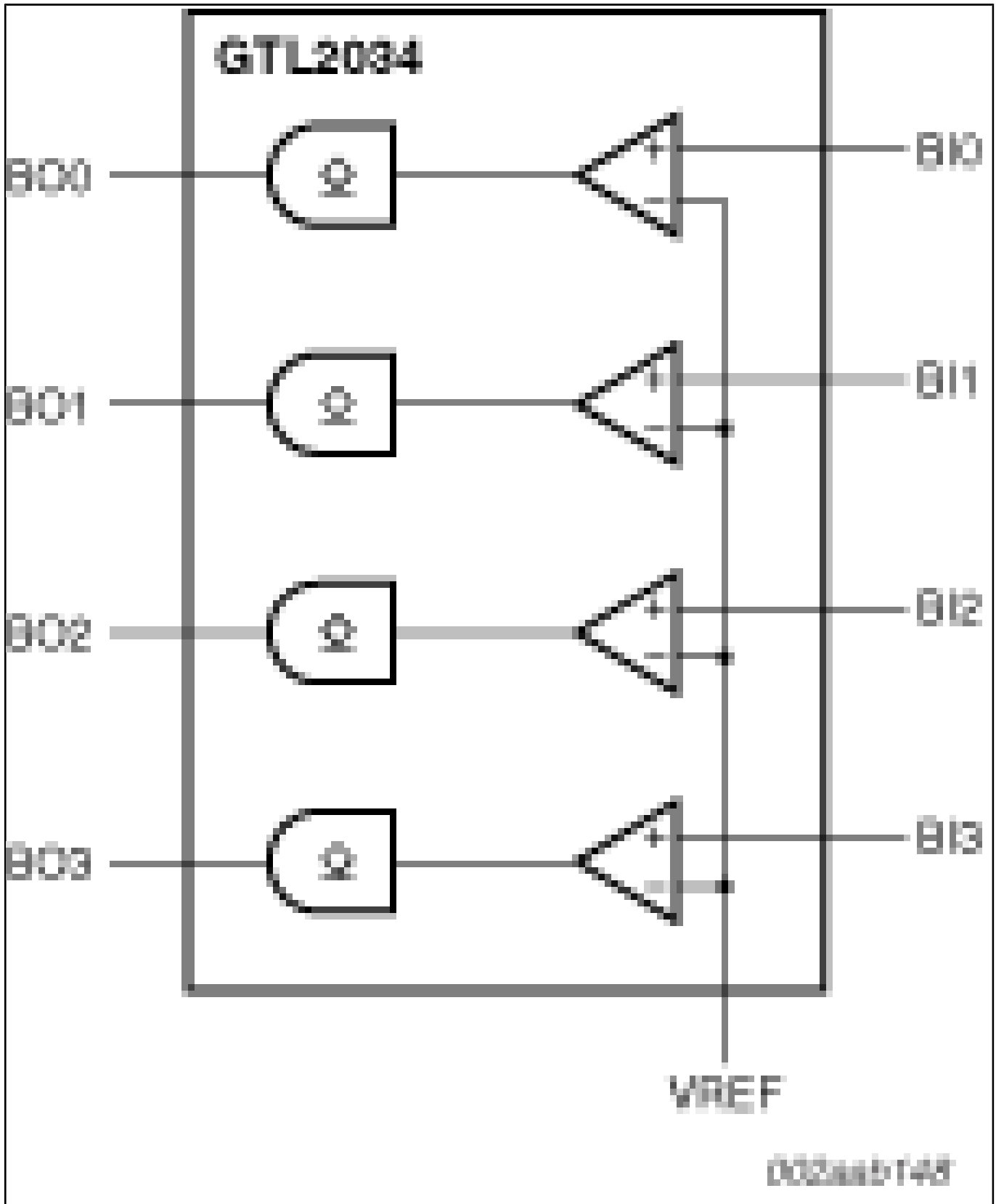
The GTL2034 is a 4-bit GTL-/GTL/GTL+ bus buffer.

The GTL2034 GTL inputs and outputs operate up to 3.6 V, allowing the device to be used in higher voltage open-drain output applications.

GTL2034 Block Diagram Block Diagram



Block diagram: GTL2034PW Block Diagram



View additional information for [4-Bit GTL-to-GTL Buffer](#).

Note: The information on this document is subject to change without notice.

www.nxp.com

NXP and the NXP logo are trademarks of NXP B.V. All other product or service names are the property of their respective owners. The related technology may be protected by any or all of patents, copyrights, designs and trade secrets. All rights reserved. © 2024 NXP B.V.