



4-Bit LVTTL-to-GTL Transceiver

GTL2014PW

Last Updated: Mar 15, 2024

The GTL2014 is a 4-bit translating transceiver designed for 3.3 V LVTTL system interface with a GTL-/GTL/GTL+ bus, where GTL-/GTL/GTL+ refers to the reference voltage of the GTL bus and the input/output voltage thresholds associated with it.

The direction pin allows the part to function as either a GTL to LVTTL sampling receiver or as a LVTTL to GTL interface.

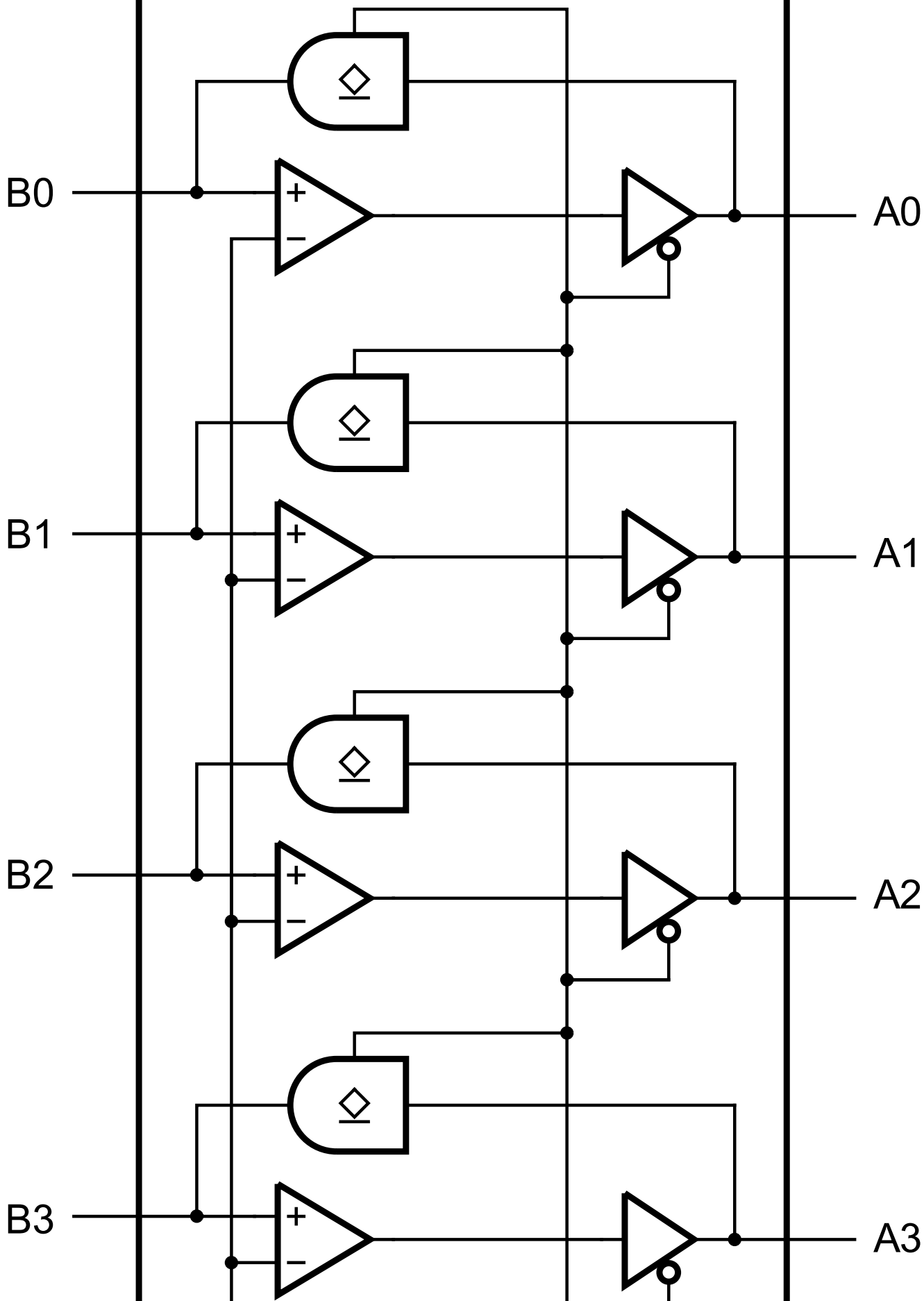
The GTL2014 LVTTL inputs (only) are tolerant up to 5.5 V allowing direct access to TTL or 5 V CMOS inputs. The LVTTL outputs are not 5.5 V tolerant.

The GTL2014 GTL inputs and outputs operate up to 3.6 V, allowing the device to be used in higher voltage open-drain output applications.

GTL2014 is pin-to-pin backward compatible to the GTL2005 (labels for A port and B port are interchanged). GTL2014's V_{ref} tracks down to 0.5 V for low voltage CPU, propagation delays are slightly longer, while GTL2005's V_{ref} linearity degrades below 0.8 V and has shorter propagation delay.

GTL2014 Block Diagram Block Diagram

GTL2014



View additional information for [4-Bit LVTTTL-to-GTL Transceiver](#).

Note: The information on this document is subject to change without notice.

www.nxp.com

NXP and the NXP logo are trademarks of NXP B.V. All other product or service names are the property of their respective owners. The related technology may be protected by any or all of patents, copyrights, designs and trade secrets. All rights reserved. © 2024 NXP B.V.