



Quad GTL/GTL+ to LVTTTL/TTL Bidirectional Non-Latched Translator

GTL2005PW

Not Recommended for New Designs

This page contains information on a product that is not recommended for new designs.

Last Updated: Mar 15, 2024

GTL2005PW device is "End of Life", please use the replacement part [GTL2014PW](#)

The GTL2005 is a quad translating transceiver designed for 3.3 V system interface with a GTL/GTL+ bus.

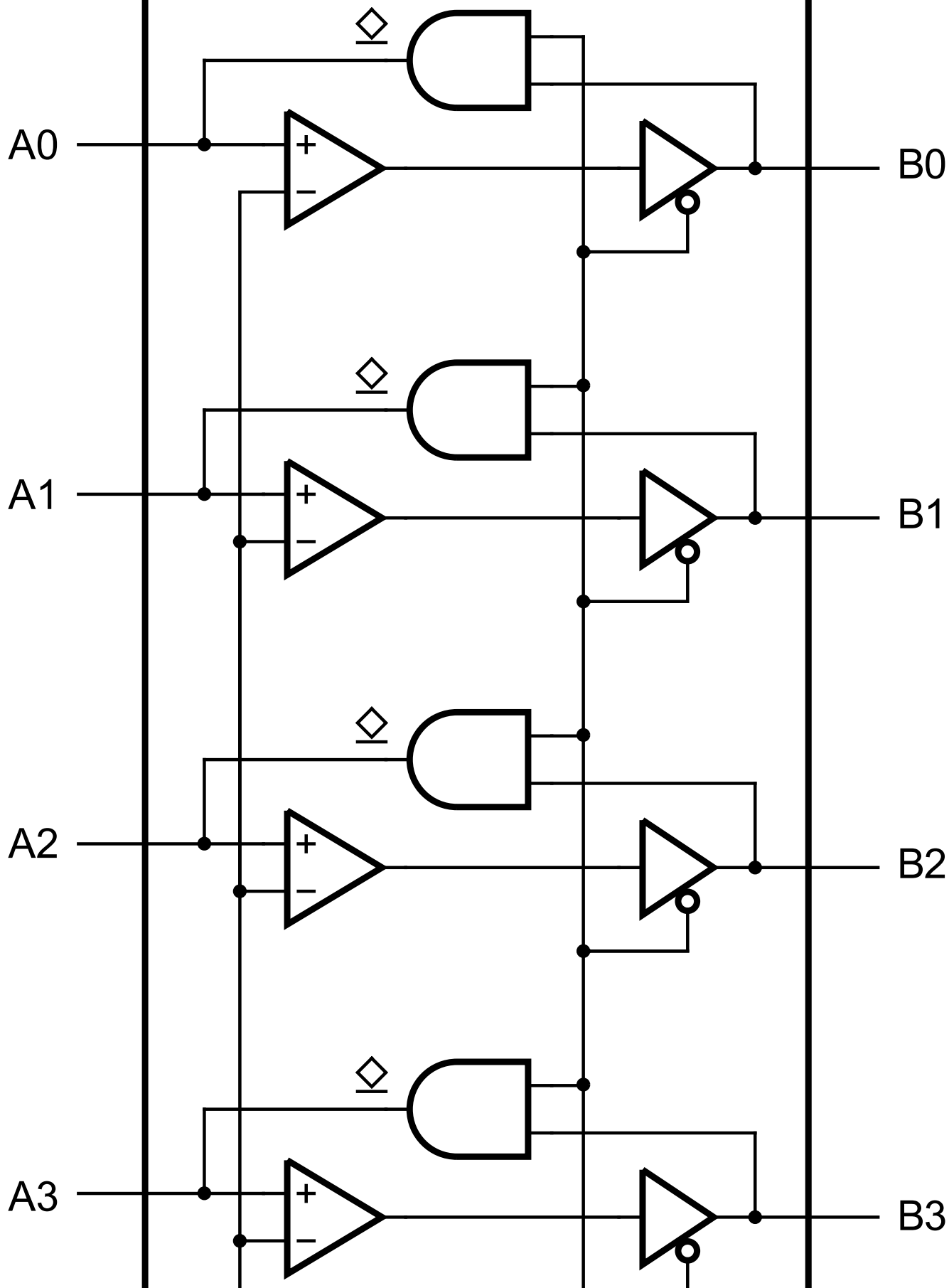
The direction pin (DIR) allows the part to function as either a GTL-to-TTL sampling receiver or as a TTL-to-GTL interface.

The GTL2005 LVTTTL interface is tolerant up to 5.5 V allowing direct access to TTL or 5 V CMOS outputs.

The GTL2005 Vref linearity degrades below 0.8 V (see [Section 10.1](#)). If the application allows, use the GTL2014, otherwise more closely review noise margins.

Quad GTL/GTL+ to LVTTTL/TTL Bidirectional Non-Latched Translator Block Diagram

GTL2005



View additional information for [Quad GTL/GTL+ to LVTTTL/TTL Bidirectional Non-Latched Translator](#).

Note: The information on this document is subject to change without notice.

www.nxp.com

NXP and the NXP logo are trademarks of NXP B.V. All other product or service names are the property of their respective owners. The related technology may be protected by any or all of patents, copyrights, designs and trade secrets. All rights reserved. © 2024 NXP B.V.