



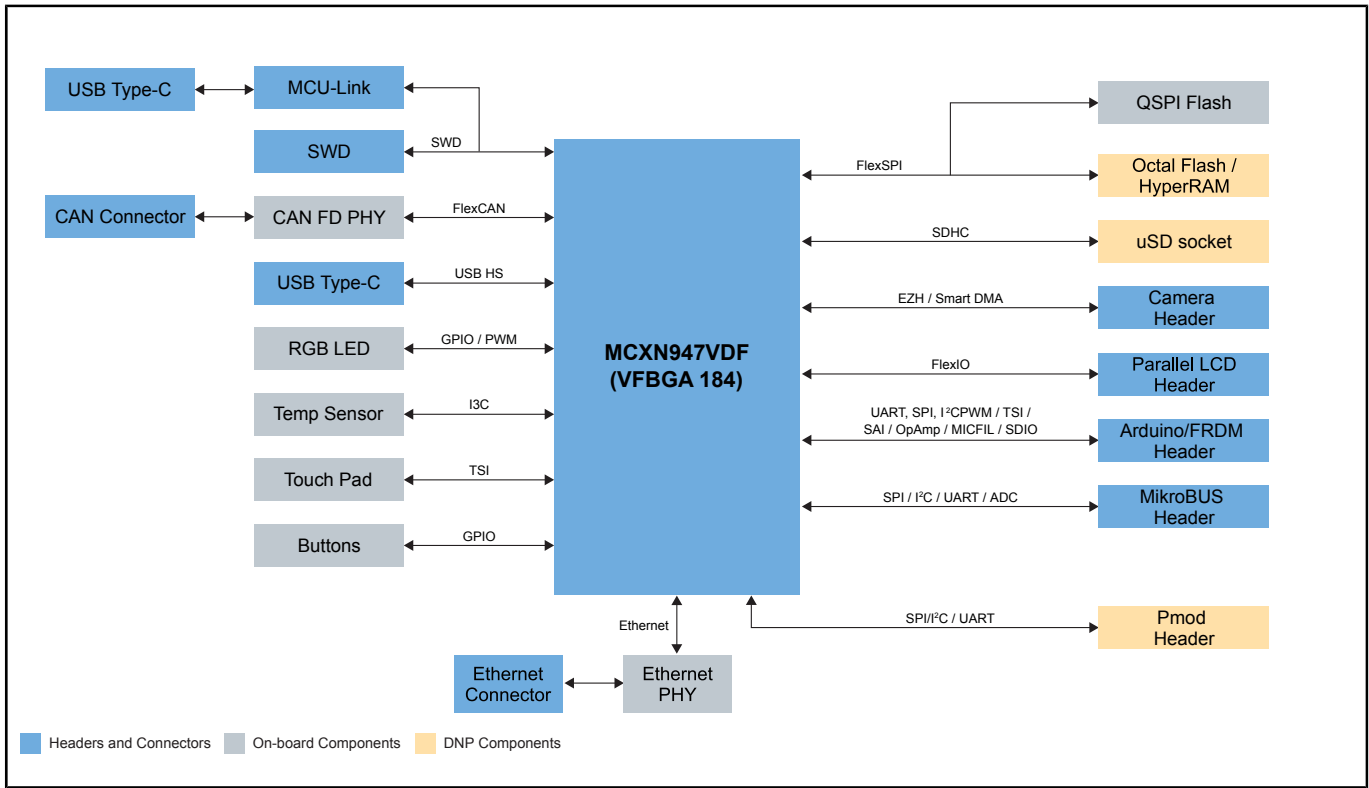
FRDM Development Board for MCX N94/N54 MCUs

FRDM-MCXN947

Last Updated: Mar 11, 2024

FRDM-MCXN947 are compact and scalable development boards for rapid prototyping of MCX N94 and N54 MCUs. They offer industry standard headers for easy access to the MCU's I/Os, integrated open-standard serial interfaces, external flash memory and an on-board MCU-Link debugger. Additional tools like our [Expansion Board Hub](#) for add-on boards and the [Application Code Hub](#) for software examples are available through the [MCUXpresso Developer Experience](#).

FRDM-MCXN947 Block Diagram Block Diagram



View additional information for [FRDM Development Board for MCX N94/N54 MCUs](#).

Note: The information on this document is subject to change without notice.

www.nxp.com

NXP and the NXP logo are trademarks of NXP B.V. All other product or service names are the property of their respective owners. The related technology may be protected by any or all of patents, copyrights, designs and trade secrets. All rights reserved. © 2024 NXP B.V.