



# Application Software Pack: Conversa Voice Calling

## APP-SW-PACK-CONVERSA-VOICE

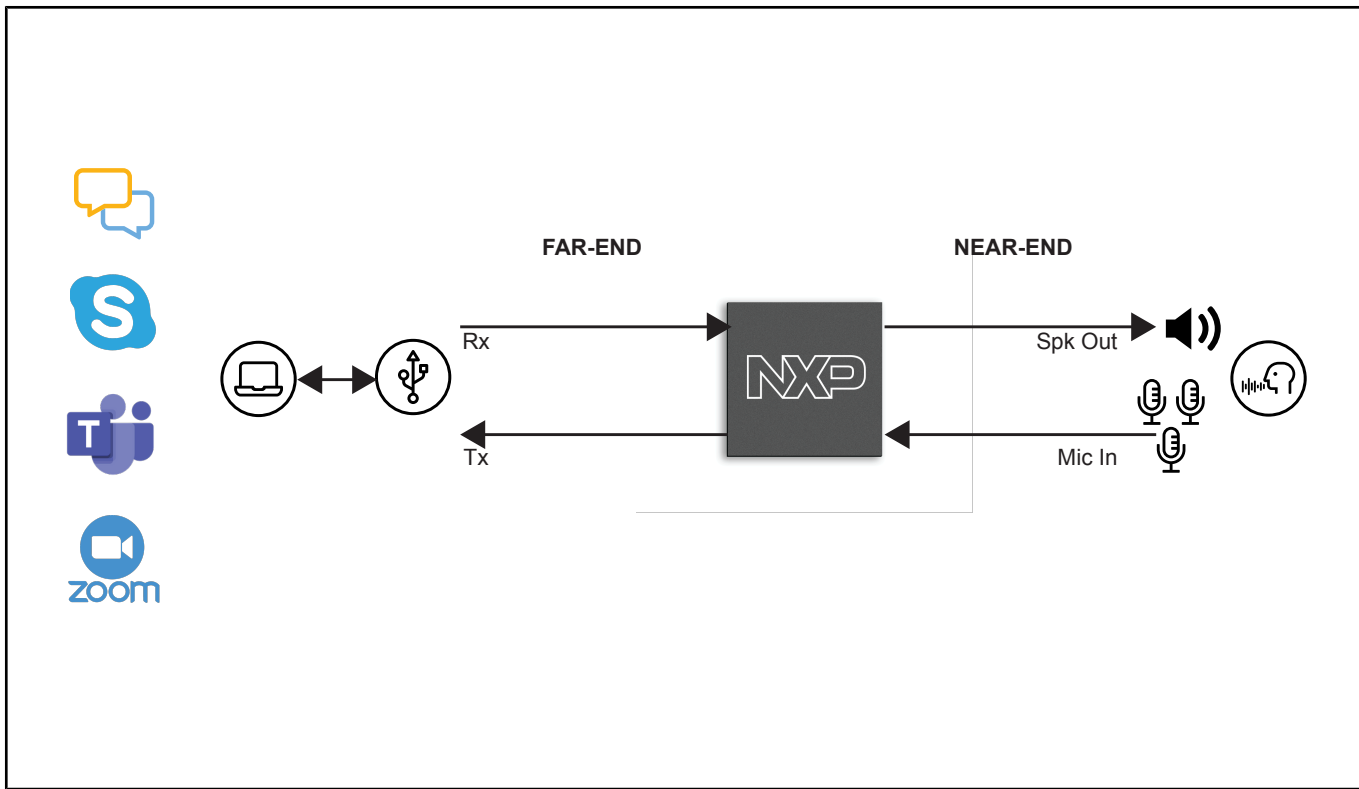
Last Updated: Apr 16, 2024

This software pack helps developers build products that enable a complete voice call application using NXP's MCU and Conversa Voice Suite. This project speeds up the evaluation of Voice over Internet Protocol (VoIP) products and provides sufficient audio quality required to meet the Microsoft Teams specification and receive certification.

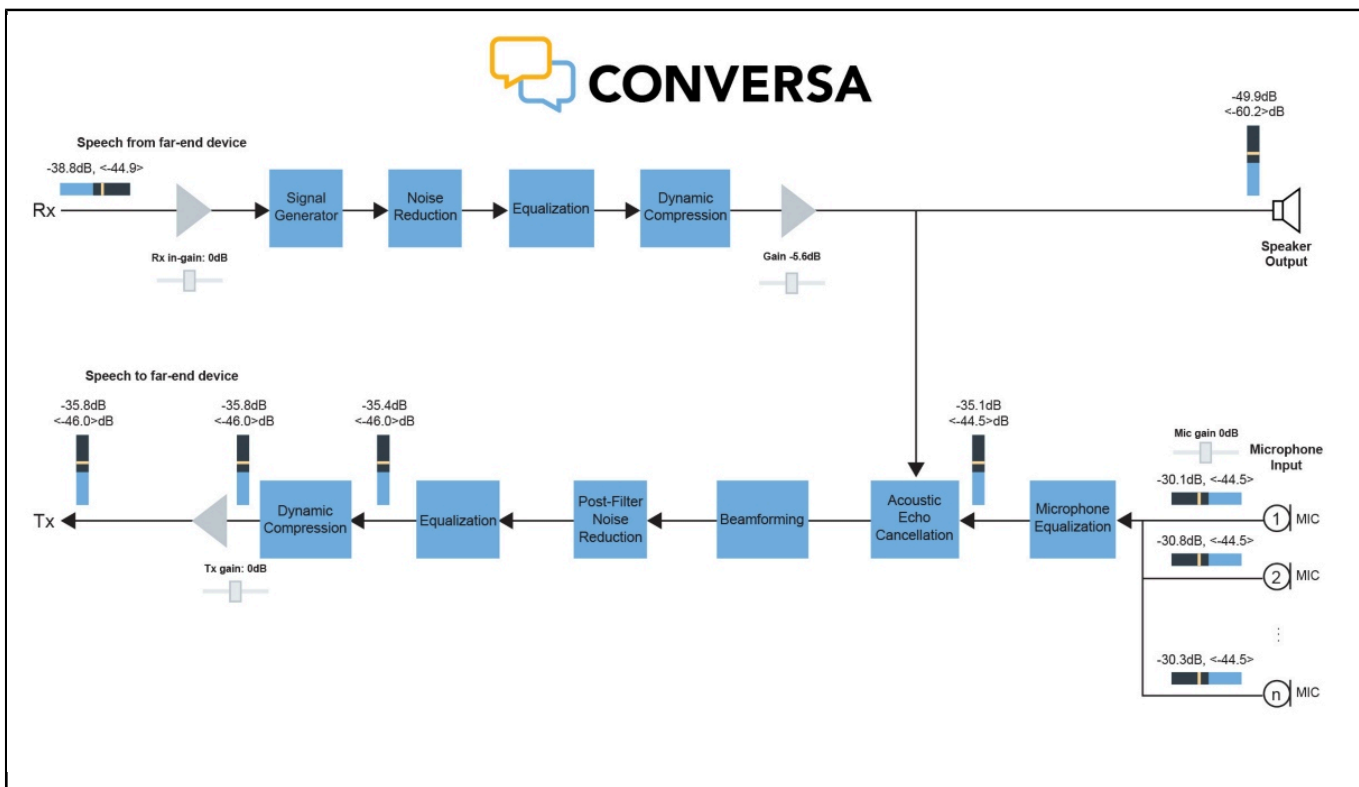
Conversa is a comprehensive full-duplex, hands-free telephony speech processing suite providing total control of uplink and downlink audio. Use this application software pack for a limited evaluation without restriction for ten minutes.

[Download this Application Software Pack](#) and follow the steps found in the corresponding application note for Conversa Voice Calling.

## Application Software Pack: Conversa Voice Calling Block Diagram



## Conversa Real-Time PC-Based Tuning Tool Block Diagram



View additional information for [Application Software Pack: Conversa Voice Calling](#).

**Note:** The information on this document is subject to change without notice.

---

**[www.nxp.com](http://www.nxp.com)**

NXP and the NXP logo are trademarks of NXP B.V. All other product or service names are the property of their respective owners. The related technology may be protected by any or all of patents, copyrights, designs and trade secrets. All rights reserved. © 2024 NXP B.V.