



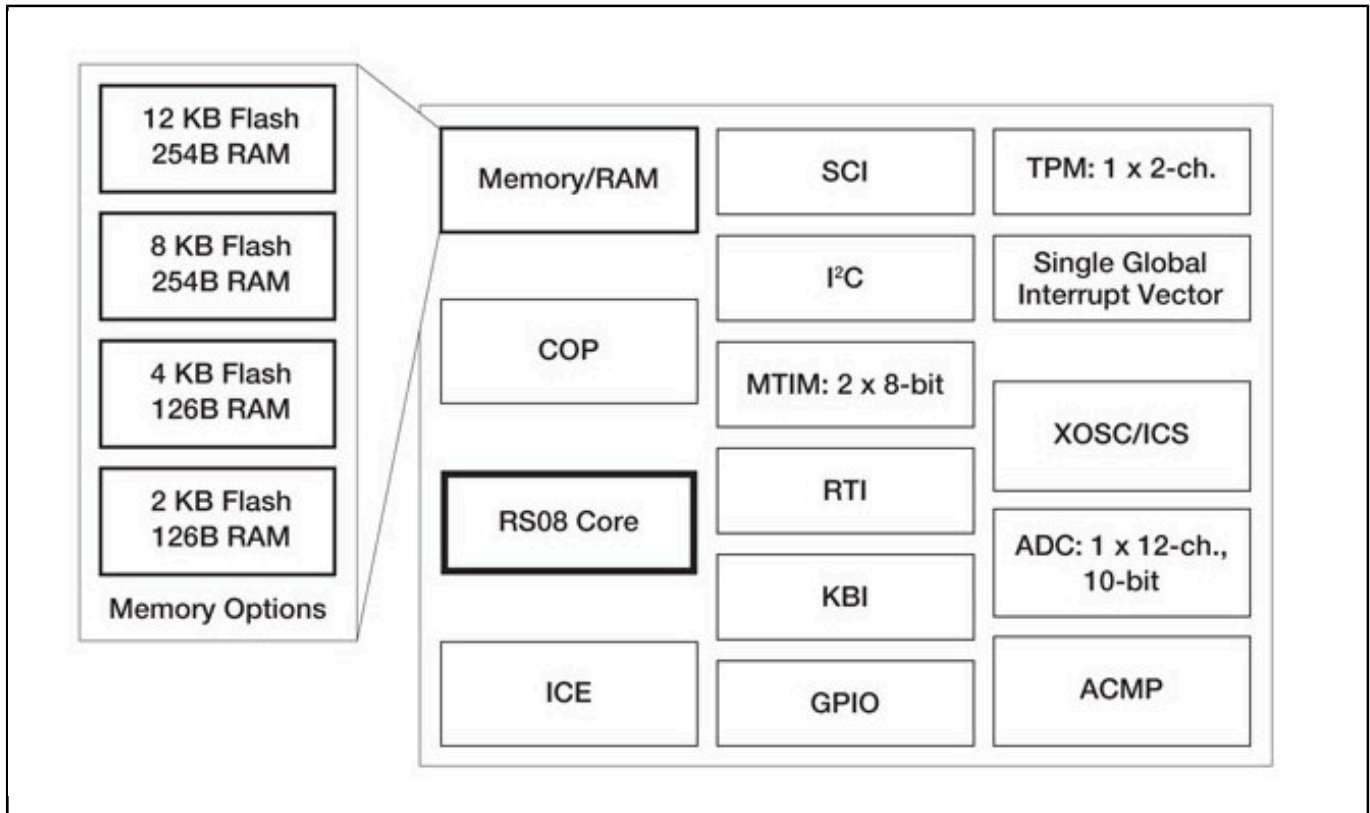
# 8位 RS08KB系列微控制器(MCU)

## RS08KB

Last Updated: Jun 22, 2022

RS08KB 8位微控制器(MCU)系列具有一组集成的外设，其中含有一个高效内核，支持中断功能，可帮助改善系统性能，节省附加组件成本。RS08KB 系列通过提供多种封装和闪存大小选项，简化迁移。其引脚与其他 5 V 系列器件相兼容，CodeWarrior®开发工具支持所有其他 8 位系列。

## S08KB Microcontroller Block Diagram Block Diagram



View additional information for [8位 RS08KB系列微控制器\(MCU\)](#).

**Note:** The information on this document is subject to change without notice.

**www.nxp.com**

NXP and the NXP logo are trademarks of NXP B.V. All other product or service names are the property of their respective owners. The related technology may be protected by any or all of patents, copyrights, designs and trade secrets. All rights reserved. © 2024 NXP B.V.