



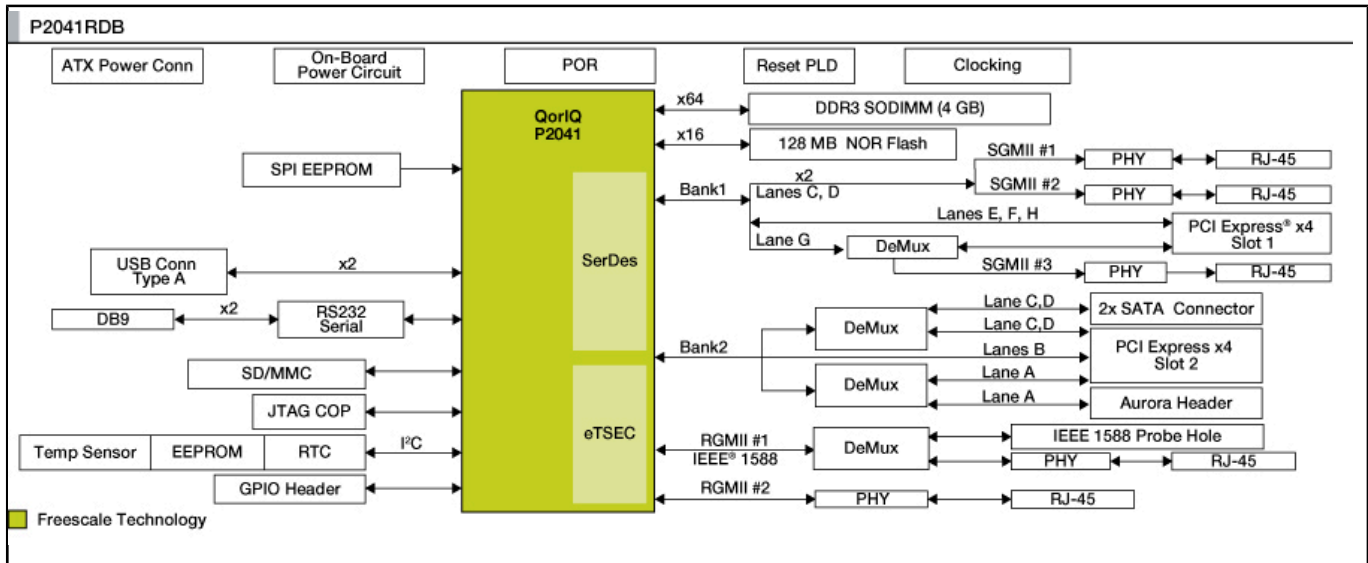
P2041 QorIQ参考设计板

RDP2041BOARD

恩智浦P2041RDB是一款紧凑型(微型ATX)、高度集成的基于四核P2041器件的参考设计板。

凭借其1.5 GHz P2041和丰富的I/O组合，该电路板主要面向网络和以太网应用为主的P2041和P2040评估，例如交换机中的控制平面和混合控制平面/数据平面、路由器、基站网络接口卡、航空航天和国防、多功能打印机，以及工厂自动化。

Block Diagram



View additional information for [P2041 QorIQ参考设计板](#).

Note: The information on this document is subject to change without notice.

www.nxp.com

NXP and the NXP logo are trademarks of NXP B.V. All other product or service names are the property of their respective owners. The related technology may be protected by any or all of patents, copyrights, designs and trade secrets. All rights reserved. © 2024 NXP B.V.