



5 W无线充电发射器IC

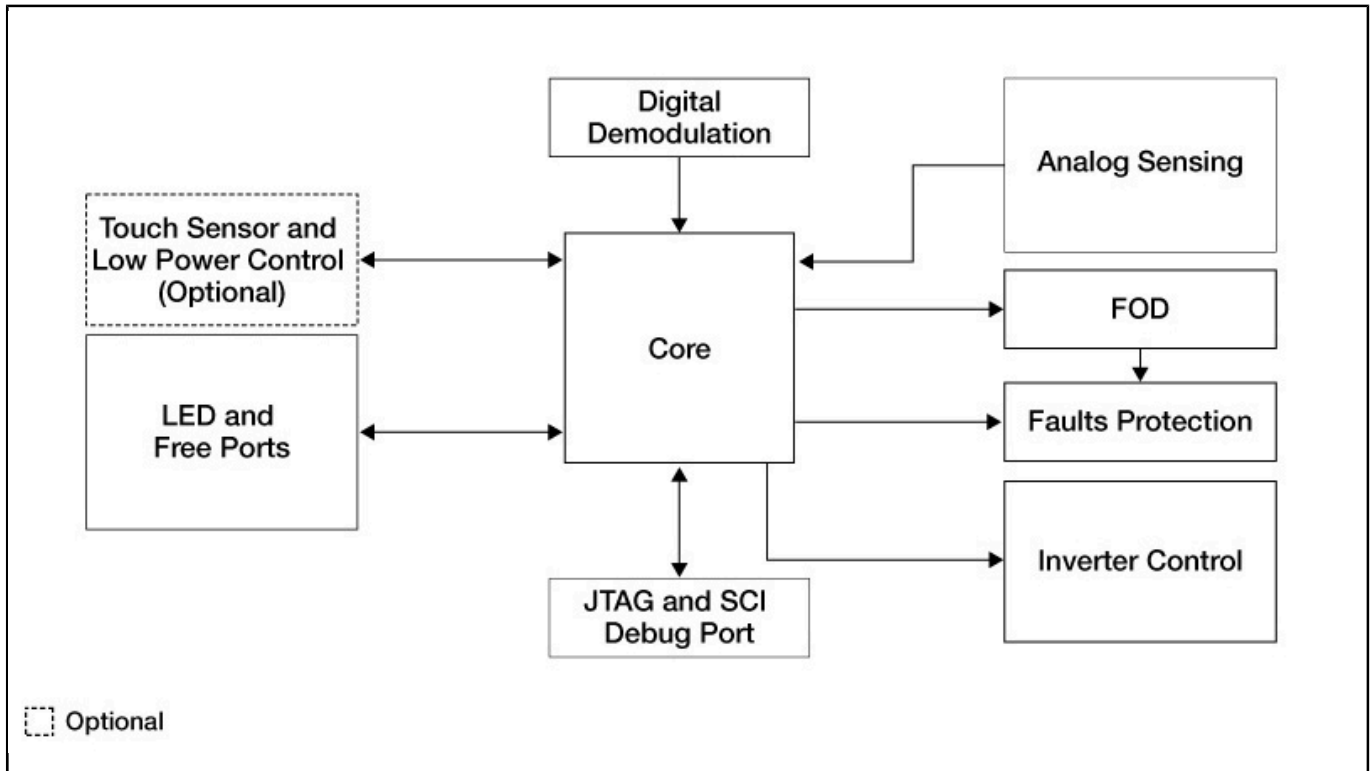
MWCT1x0x

Last Updated: Apr 9, 2022

恩智浦**5W**无线充电发送器**IC**可提供实施无线充电发送器解决方案所需的全部控制器功能。借助优化的硬件和软件平台，我们的发送器**IC**能够实施和控制功率传输，监控和管理系统整体状态，提供异物检测，温度和系统效率监控等功能。

针对单线圈和多线圈**A**型应用的**WCT1x0x**系列，恩智浦提供了标准和高级两套解决方案。标准解决方案配置完善，可独立实施低成本的**5W**发送器。对于需要更高灵活性的工程师，恩智浦提供了高级解决方案，包含定制应用所需的额外硬件和软件资源。

MWCT1000, MWCT1200 and MWCT1101 Block Diagram Block Diagram



View additional information for [5 W无线充电发射器IC](#).

Note: The information on this document is subject to change without notice.

www.nxp.com

NXP and the NXP logo are trademarks of NXP B.V. All other product or service names are the property of their respective owners. The related technology may be protected by any or all of patents, copyrights, designs and trade secrets. All rights reserved. © 2024 NXP B.V.