



# 超可靠的**MPC560xS** MCU，适用于汽车和工业仪表板

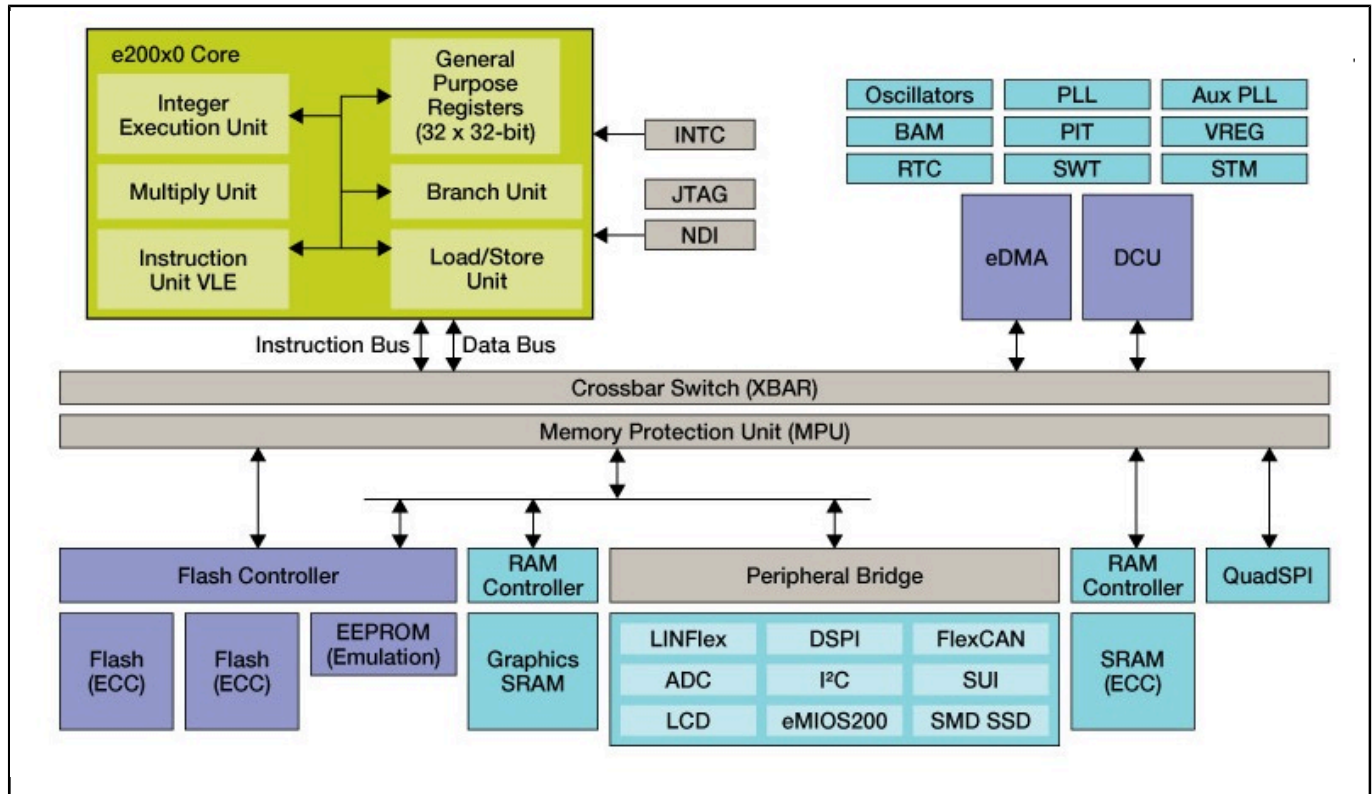
## **MPC560xS**

Last Updated: Apr 9, 2022

恩智浦**MPC560xS**系列微控制器适用于汽车仪表板应用的彩色薄膜晶体管(TFT)显示器。

- 提供高性价比、中档仪表板解决方案
- 提供可扩展的功能，以满足特定性能需求
- 低功耗设计支持内核和外设的动态电源管理
- 全面开发和软件支持帮助加快产品上市速度

# MPC560XS Microcontroller Block Diagram Block Diagram



View additional information for [超可靠的MPC560xS MCU, 适用于汽车和工业仪表板](#).

**Note:** The information on this document is subject to change without notice.

[www.nxp.com](http://www.nxp.com)

NXP and the NXP logo are trademarks of NXP B.V. All other product or service names are the property of their respective owners. The related technology may be protected by any or all of patents, copyrights, designs and trade secrets. All rights reserved. © 2024 NXP B.V.