



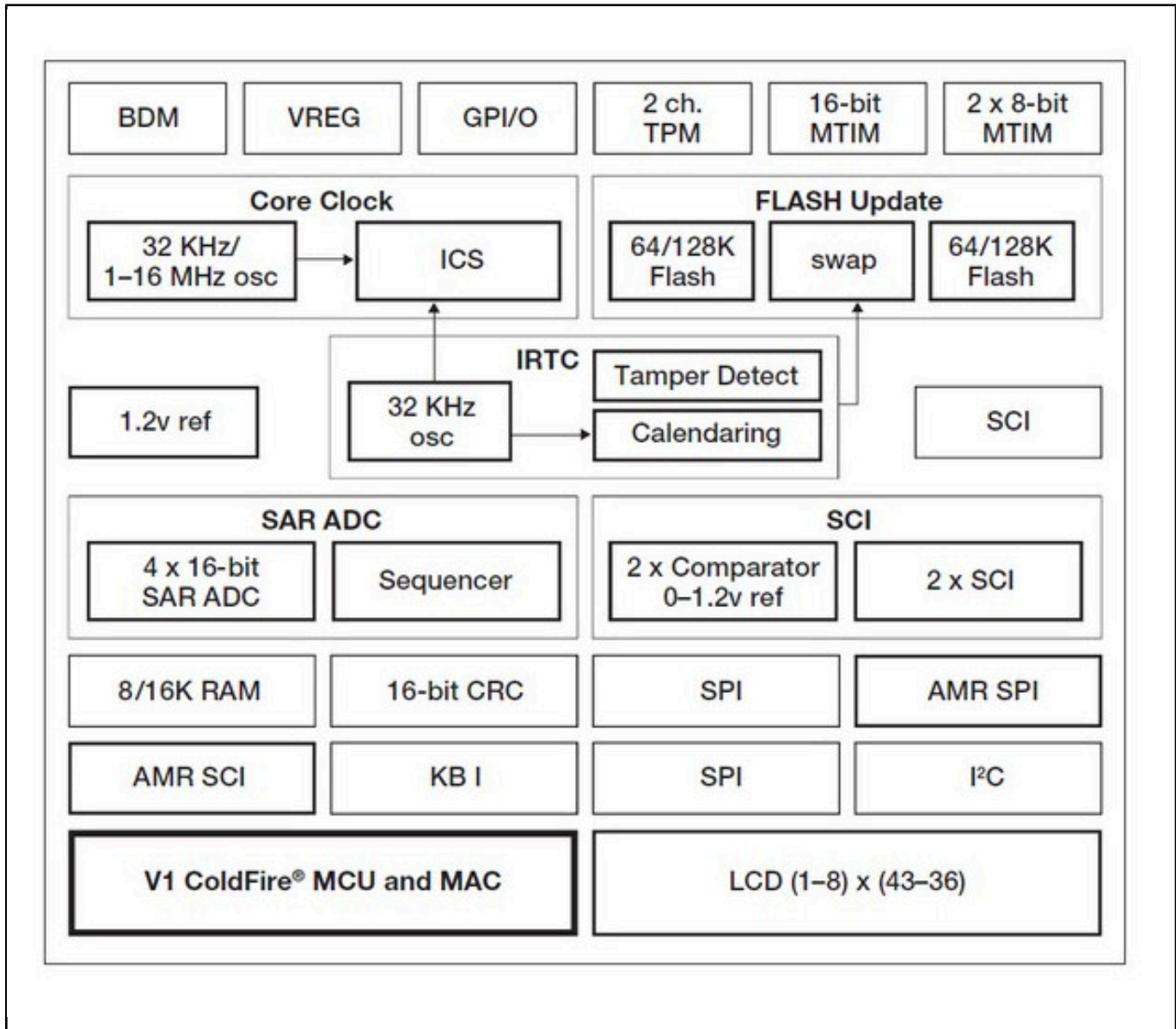
# 面向智能电表应用的**MCF51EM256 32位 MCU**

## **MCF51EM**

Last Updated: Apr 9, 2022

**MCF51EM256**是恩智浦片上智能电表**32位ColdFire® V1**内核微控制器(MCU)，它配备了嵌入式LCD控制器、16位模数转换器(ADC)，和面向智能电表应用的专用计量外设。**MCF51EM256**附带了一整套硬件和软件工具，使开发变得更加迅速和轻松。

## ColdFire MCF51EM Microcontroller Block Diagram Block Diagram



View additional information for [面向智能电表应用的MCF51EM256 32位MCU](#).

Note: The information on this document is subject to change without notice.

[www.nxp.com](http://www.nxp.com)

NXP and the NXP logo are trademarks of NXP B.V. All other product or service names are the property of their respective owners. The related technology may be protected by any or all of patents, copyrights, designs and trade secrets. All rights reserved. © 2024 NXP B.V.