



KEA128和MC10XS3425照明控制和电子开关

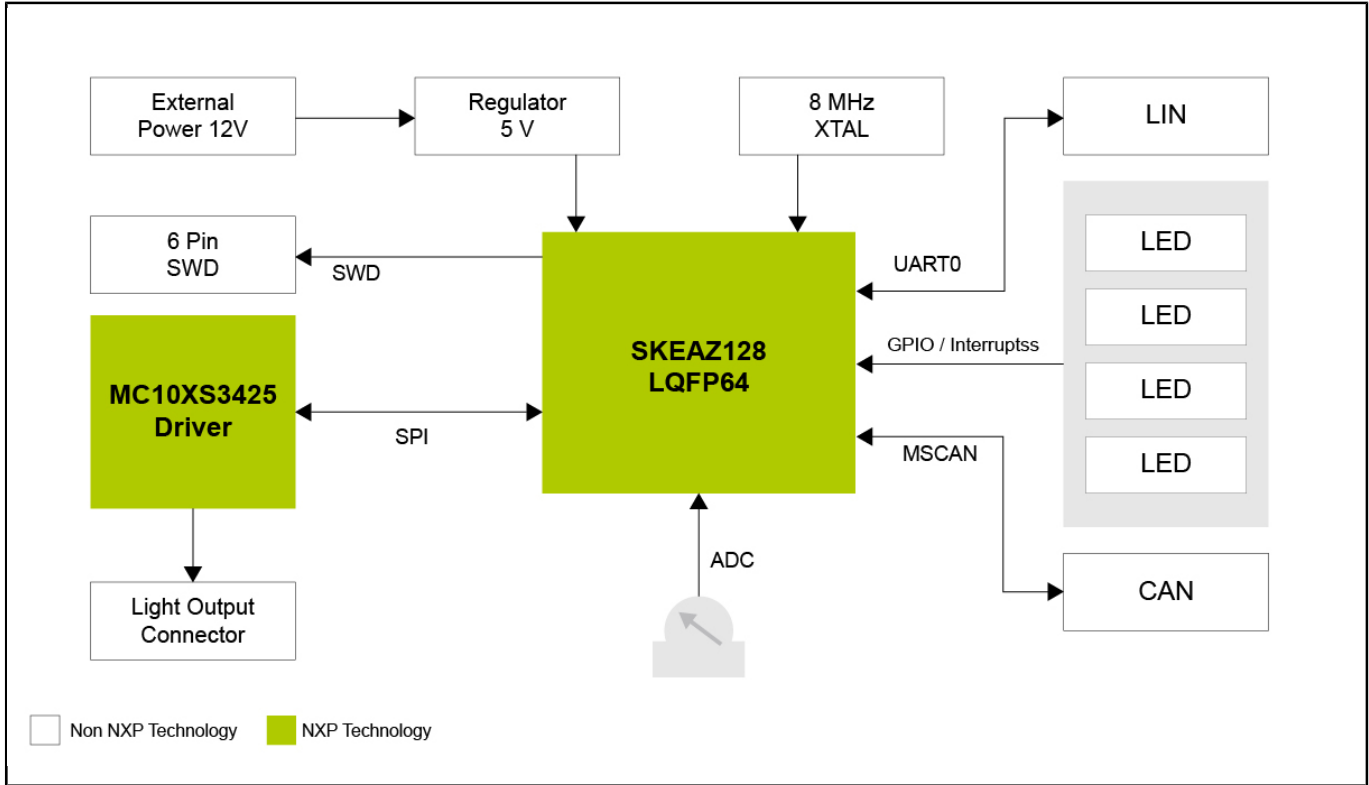
KEA128LEDLIGHTRD

Last Updated: Aug 25, 2022

KEA128LEDLIGHTRD是控制汽车照明(远近光、转向和刹车)和通过eXtreme开关诊断前大灯状态的参考设计。

基于32位Arm® Cortex®-M0+ Kinetis® KEA128汽车级MCU和MC10XS3425 eXtreme开关, KEA128LEDLIGHTRD提供基于LIN和CAN通信的完整大灯环境控制解决方案, 包括LED、尾灯、转向信号、灯具电流控制和诊断。

Block Diagram



View additional information for [KEA128](#)和[MC10XS3425](#)照明控制和电子开关.

Note: The information on this document is subject to change without notice.

www.nxp.com

NXP and the NXP logo are trademarks of NXP B.V. All other product or service names are the property of their respective owners. The related technology may be protected by any or all of patents, copyrights, designs and trade secrets. All rights reserved. © 2024 NXP B.V.