



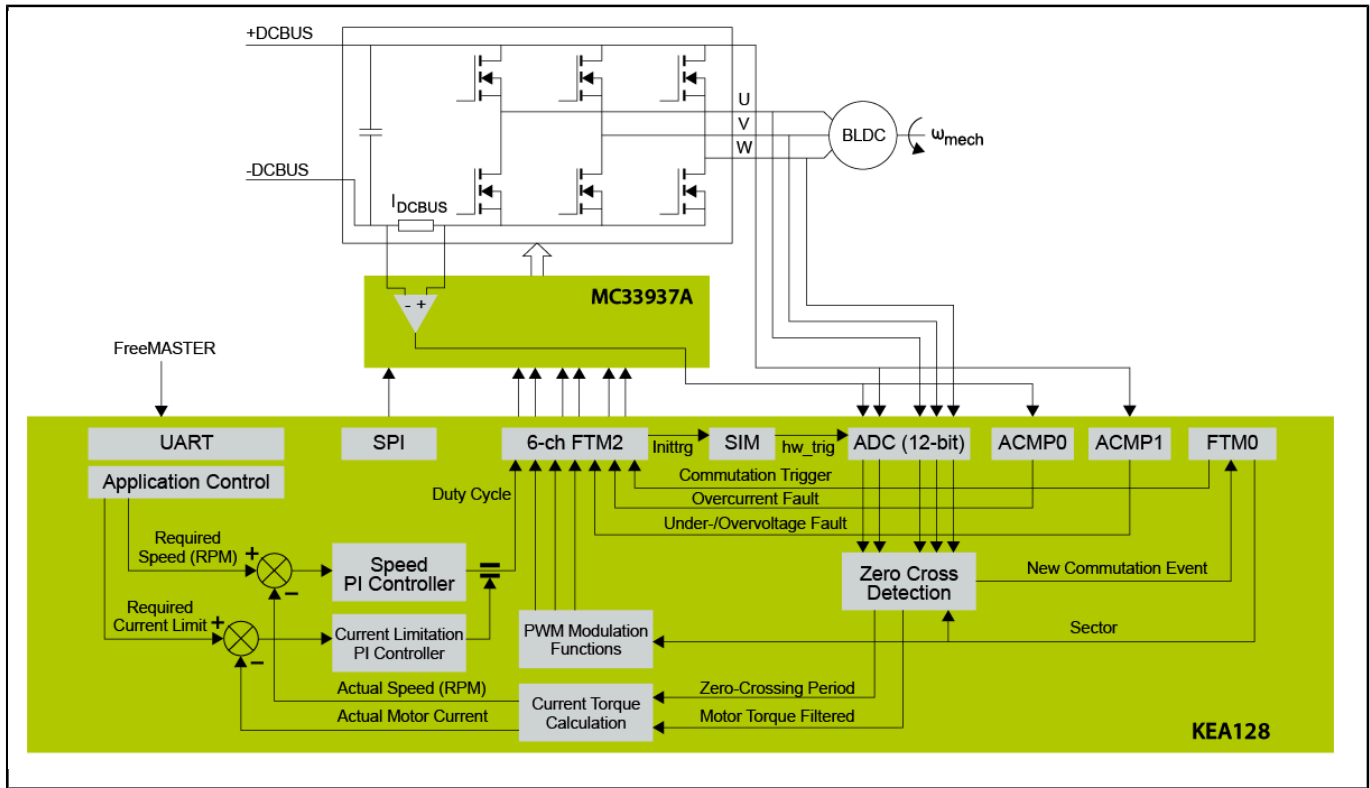
KEA128-3相无传感器BLDC参考设计

KEA128BLDCRD

Last Updated: Aug 25, 2022

此电机控制参考设计基于KEA128 32位Arm®Cortex®-M0+汽车MCU。它是采用6步换向过程的3相无传感器无刷直流(BLDC)电机控制解决方案的示例，其中包括闭环速度控制和动态电机电流限制。

BLDC Block Diagram



View additional information for [KEA128-3相无传感器BLDC参考设计](#).

Note: The information on this document is subject to change without notice.

www.nxp.com

NXP and the NXP logo are trademarks of NXP B.V. All other product or service names are the property of their respective owners. The related technology may be protected by any or all of patents, copyrights, designs and trade secrets. All rights reserved. © 2024 NXP B.V.