



KEA128绿色汽车网络

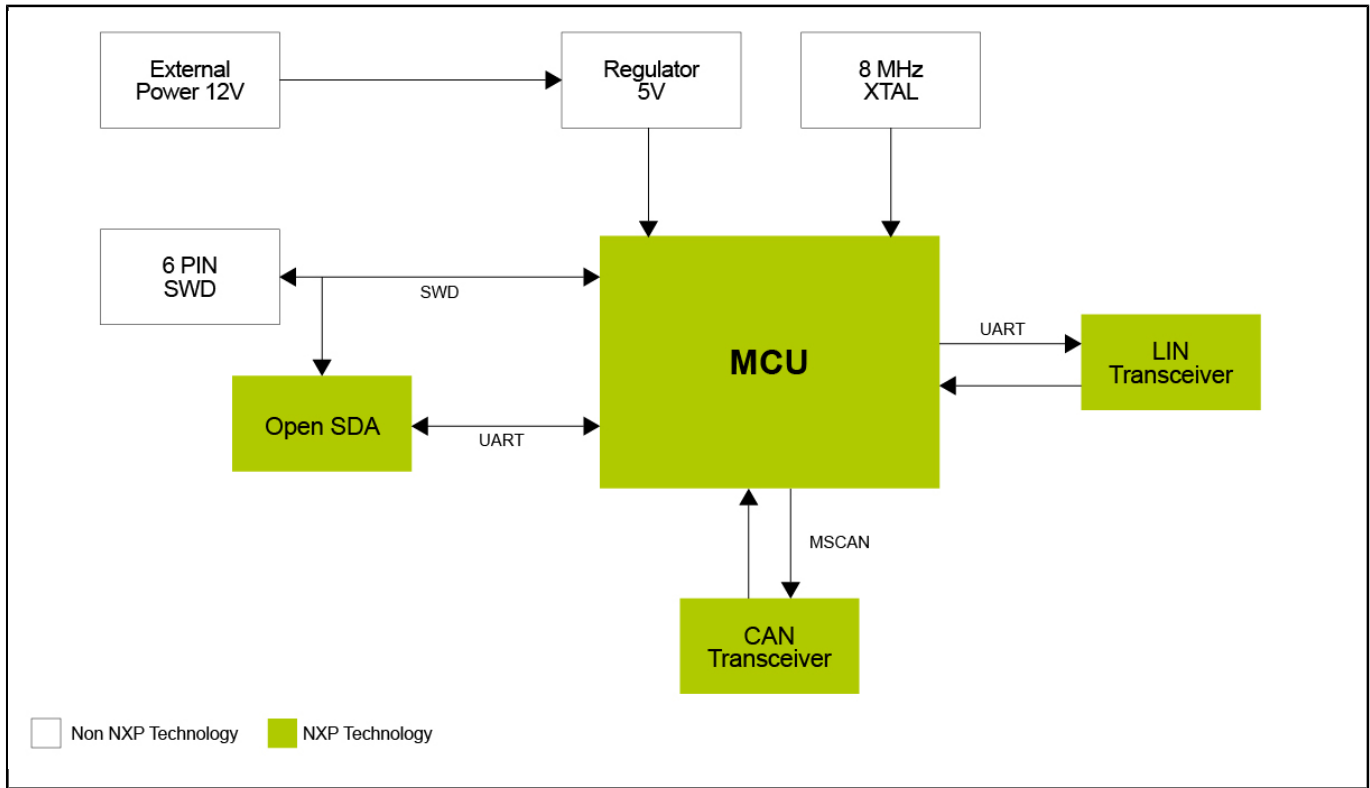
KEA128AUTONETRD

Last Updated: Aug 26, 2022

KEA128AUTONETRD是一个中央网关参考设计，充当LIN和CAN通信之间的桥梁。

基于32位Arm® Cortex®-M0+ KEA128汽车级MCU，KEA128AUTONETRD提供高效、精准的总线处理和节能功能。

Block Diagram



View additional information for [KEA128绿色汽车网络](#).

Note: The information on this document is subject to change without notice.

www.nxp.com

NXP and the NXP logo are trademarks of NXP B.V. All other product or service names are the property of their respective owners. The related technology may be protected by any or all of patents, copyrights, designs and trade secrets. All rights reserved. © 2024 NXP B.V.