


1	Title page
2	Notes
3	MCU
4	Isolated JTAG port
5	Analog
6	Power & Connector

Revisions			
Rev	Description	Date	Approved
A	Initial release	16-March-20	Alice Wang

		<b>Microcontroller Product Group</b> 6501 William Cannon Drive West Austin, TX 78735-8598	
This document contains information proprietary to NXP and shall not be used for engineering design, procurement or manufacture in whole or in part without the express written permission of NXP Semiconductors.			
		ICAP Classification:	CP: IUO: X PUBL:
Designer: Alice Wang	Drawing Title: <b>HVP-56F81768</b>		
Drawn by: Alice Wang	Page Title: <b>Title Page</b>		
Approved: <Approver>	Size A4	Document Number SCH-47103, PDF: SPF-47103	Rev A
Date: Friday, April 03, 2020		Sheet 1 of 6	

NOTES:



**Microcontroller Product Group**

6501 William Cannon Drive West  
Austin, TX 78735-8598

This document contains information proprietary to NXP and shall not be used for engineering design, procurement or manufacture in whole or in part without the express written permission of NXP Semiconductors.

ICAP Classification: CP: IUO: X PUBL:

Designer:  
Alice Wang

Drawing Title:  
**HVP-56F81768**

Drawn by:  
Alice Wang

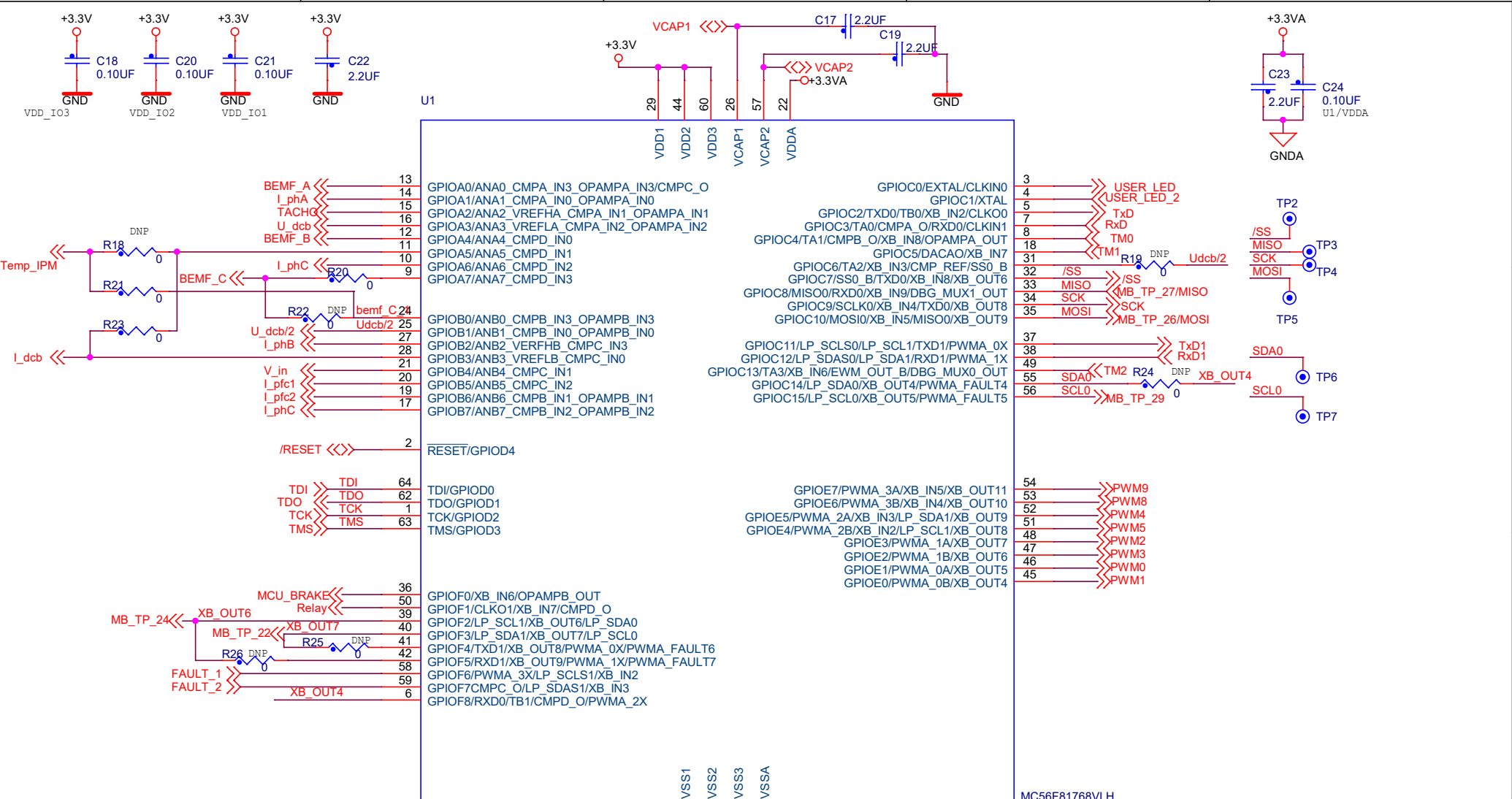
Page Title:  
**Notes**


Approved:  
<Approver>

Size A4 Document Number SCH-47103, PDF: SPF-47103

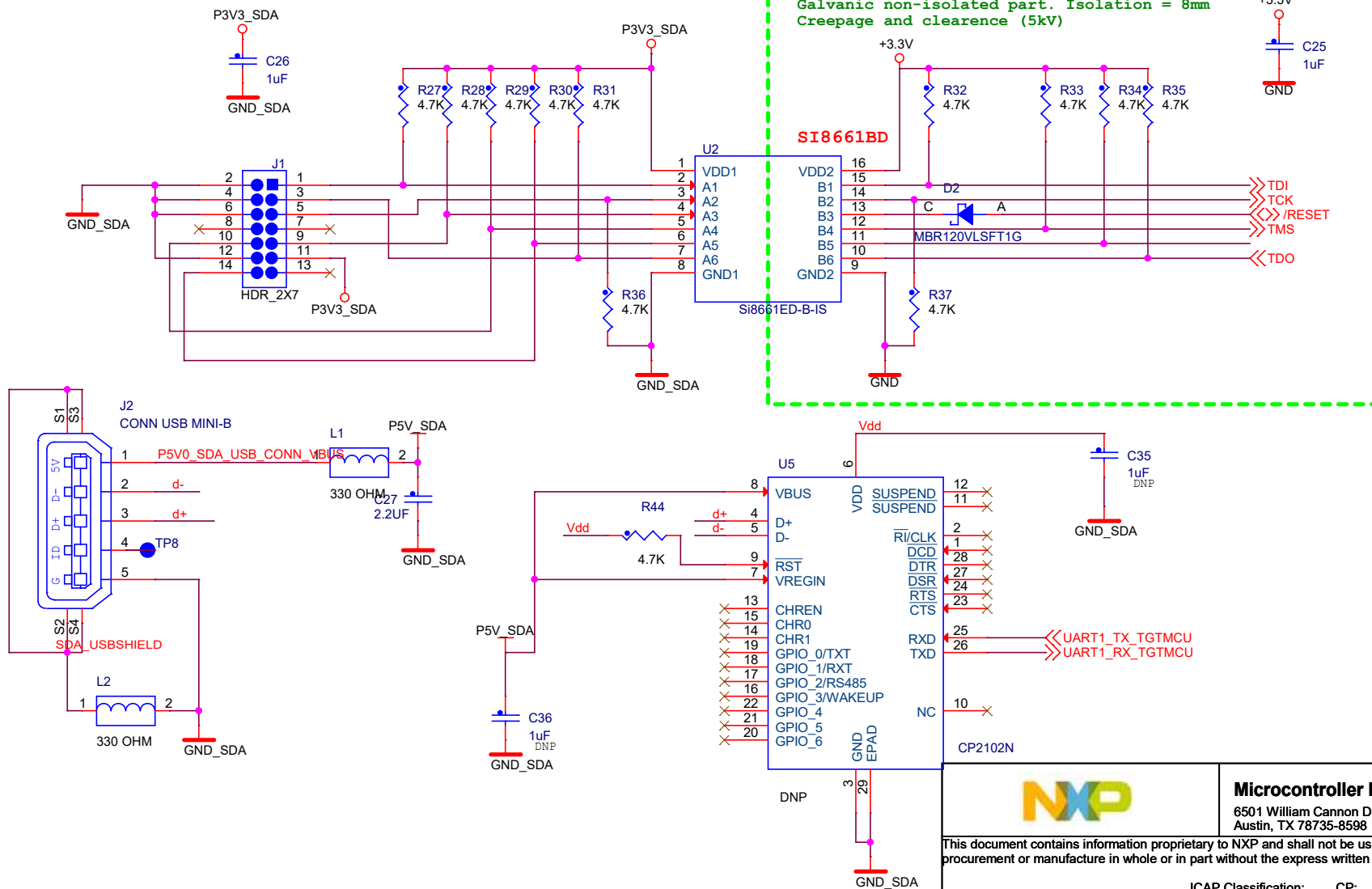
Rev A

Date: Friday, April 03, 2020 Sheet 2 of 6

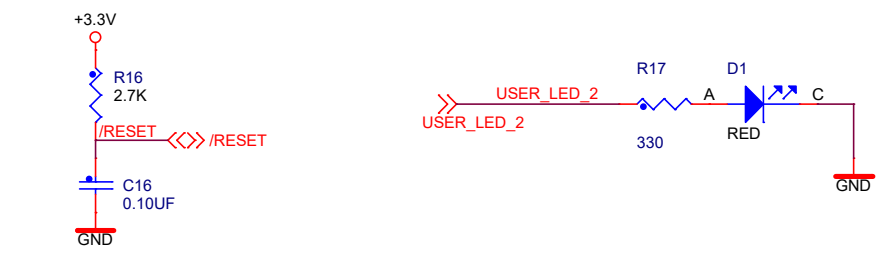
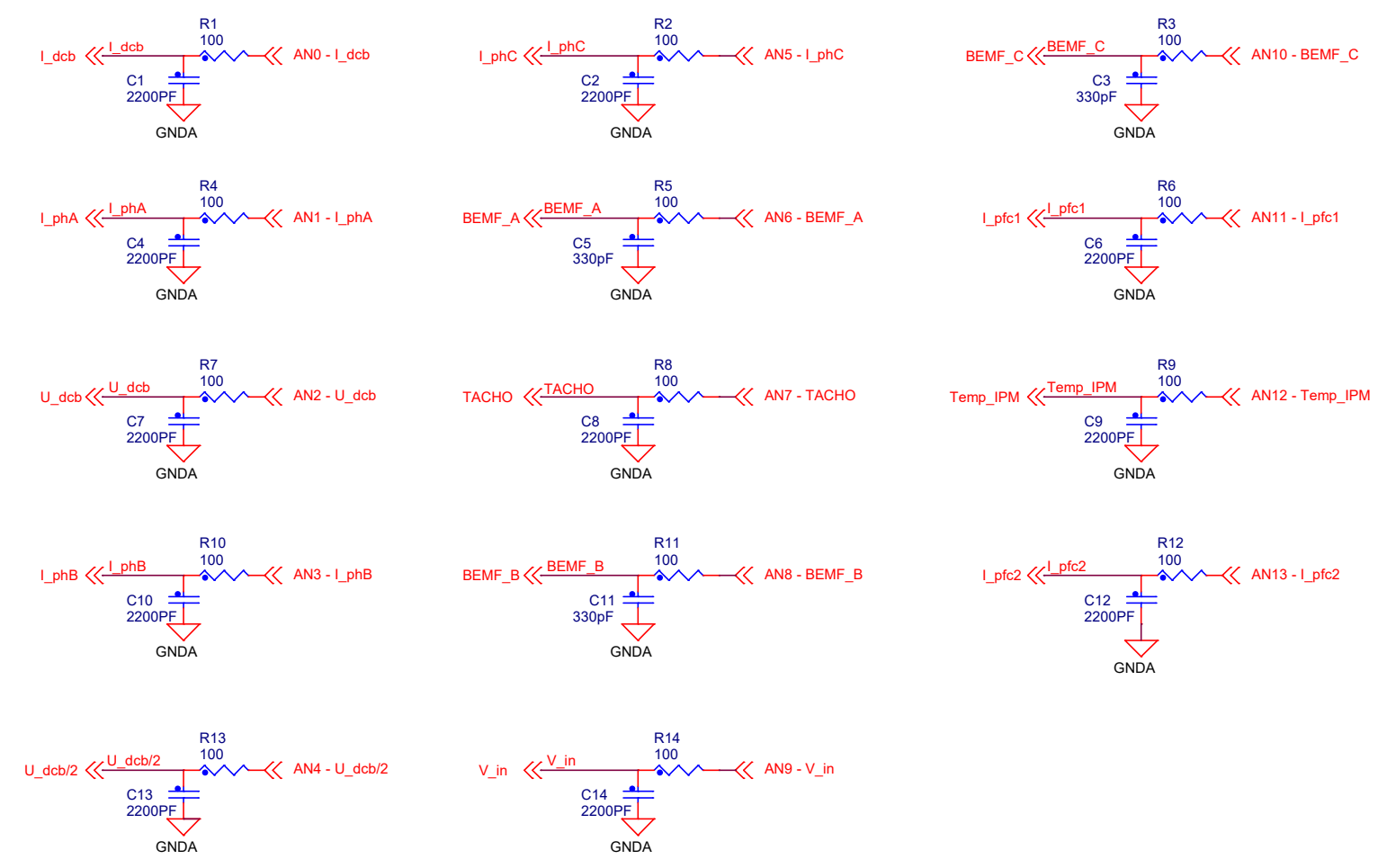



		<b>Microcontroller Product Group</b> 6501 William Cannon Drive West Austin, TX 78735-8598	
		This document contains information proprietary to NXP and shall not be used for engineering design, procurement or manufacture in whole or in part without the express written permission of NXP Semiconductors.	
Designer: Alice Wang		Drawing Title: <b>HVP-56F81768</b>	
Drawn by: Alice Wang		Page Title: <b>MCU</b>	
Approved: <Approver>		Size A4	Document Number SCH-47103, PDF: SPF-47103
Date: Friday, April 03, 2020		Sheet 3 of 6	Rev A

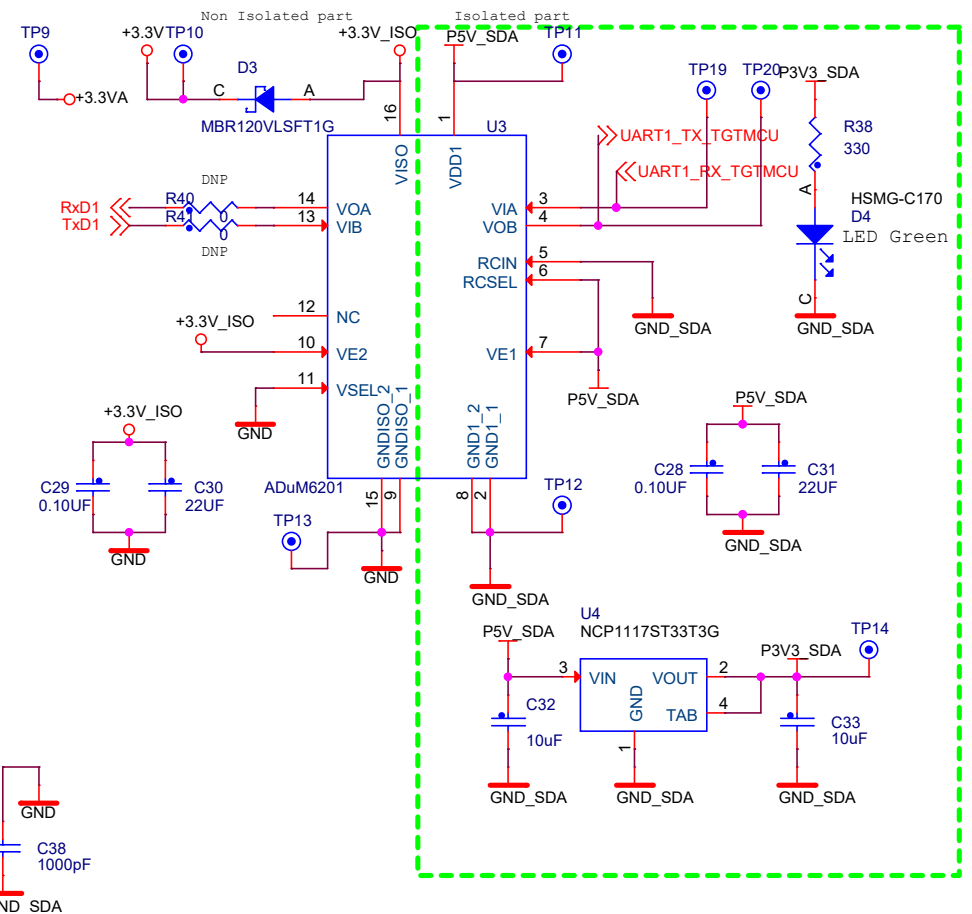
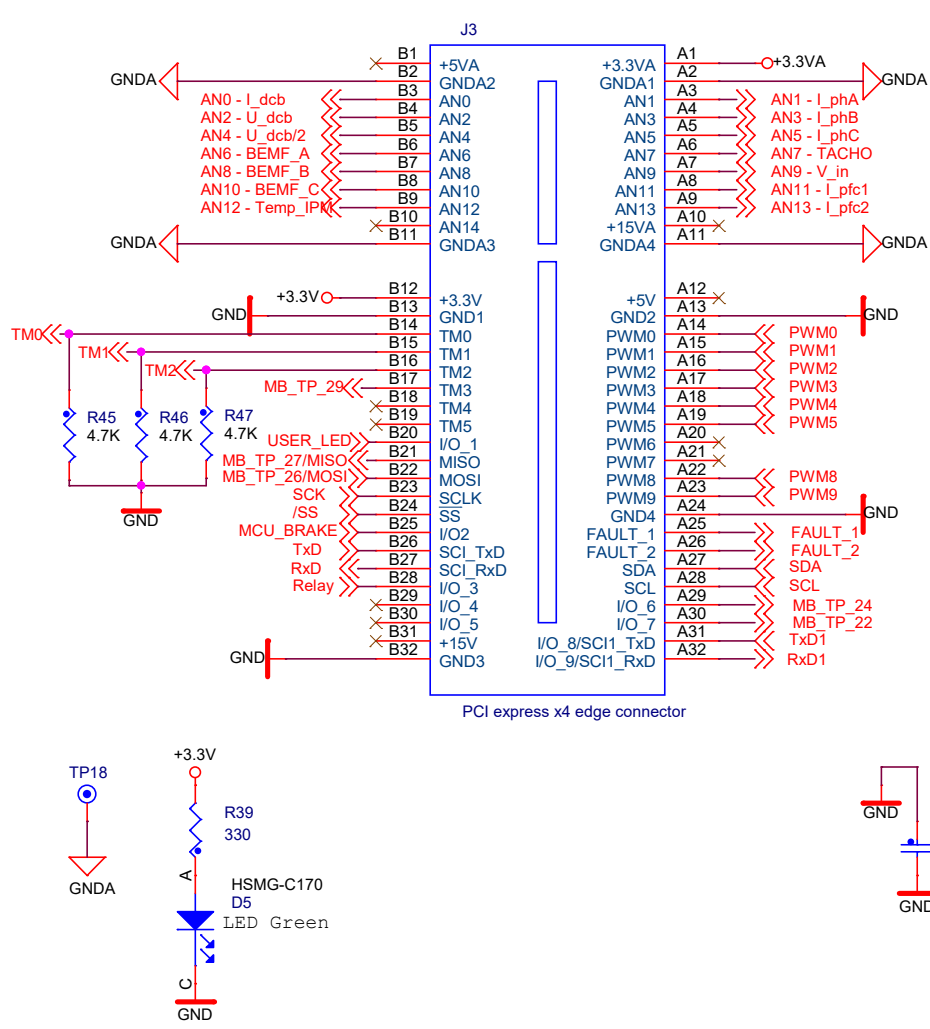
## Target MCU JTAG Connector Isolated part near USB




		<b>Microcontroller Product Group</b> 6501 William Cannon Drive West Austin, TX 78735-8598	
This document contains information proprietary to NXP and shall not be used for engineering design, procurement or manufacture in whole or in part without the express written permission of NXP Semiconductors.			
ICAP Classification:		CP:	IUO: X PUBL:
Designer: Alice Wang	Drawing Title: <b>HVP-56F81768</b>		
Drawn by: Alice Wang	Page Title: <b>Isolated JTAG port</b>		
Approved: <Approver>	Size A4	Document Number SCH-47103, PDF: SPF-47103	Rev A
Date:	Friday, April 03, 2020	Sheet	4 of 6



		<b>Microcontroller Product Group</b> 6501 William Cannon Drive West Austin, TX 78735-8598	
		This document contains information proprietary to NXP and shall not be used for engineering design, procurement or manufacture in whole or in part without the express written permission of NXP Semiconductors.	
Designer: Alice Wang		Drawing Title: <b>HVP-56F81768</b>	
Drawn by: Alice Wang		Page Title: <b>Analog</b>	
Approved: <Approver>		Size A4	Document Number SCH-47103, PDF: SPF-47103
Date: Friday, April 03, 2020		Sheet 5 of 6	Rev A



		<b>Microcontroller Product Group</b> 6501 William Cannon Drive West Austin, TX 78735-8598	
		This document contains information proprietary to NXP and shall not be used for engineering design, procurement or manufacture in whole or in part without the express written permission of NXP Semiconductors.	
Designer: Alice Wang		Drawing Title: <b>HVP-56F81768</b>	
Drawn by: Alice Wang		Page Title: <b>Power &amp; Connector</b>	
Approved: <Approver>	Size A4	Document Number SCH-47103, PDF: SPF-47103	Rev A
Date: Friday, April 03, 2020		Sheet 6 of 6	